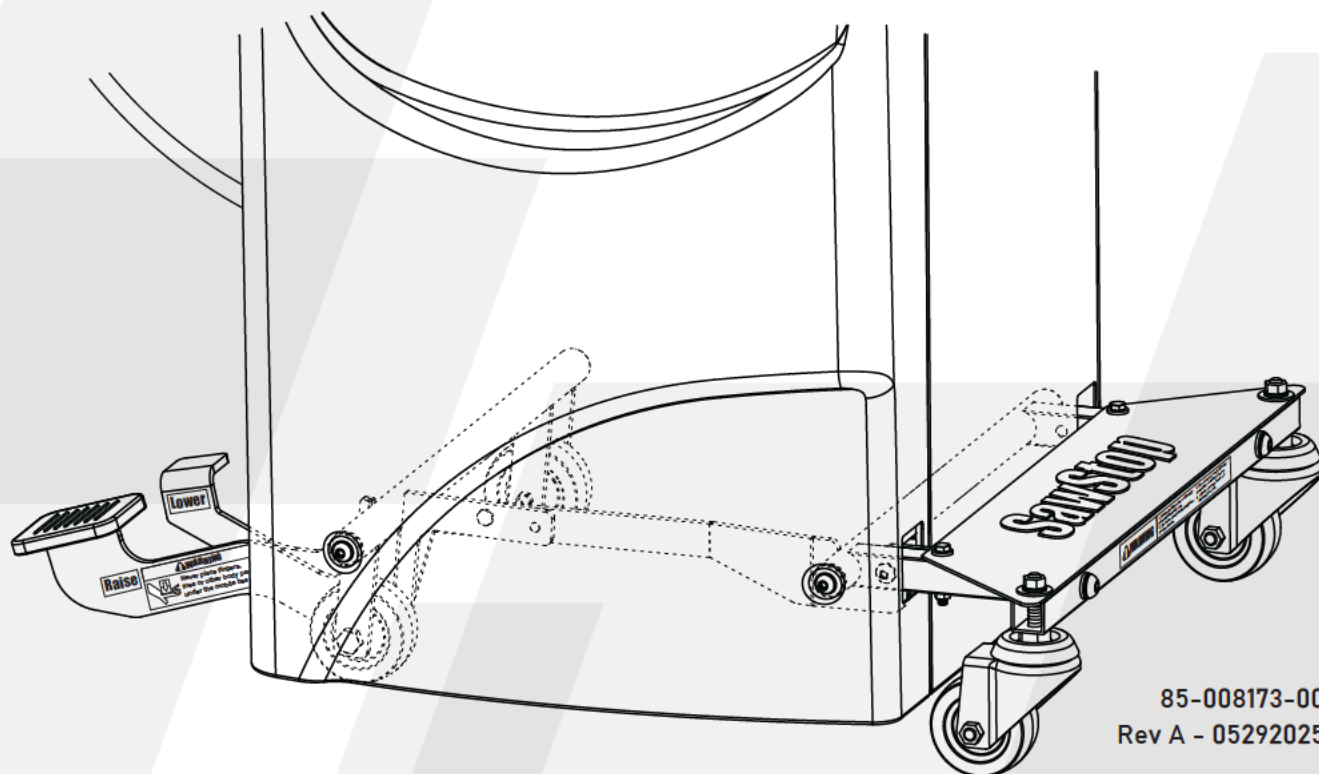




Model MB-PCS-000-I

INTEGRATED MOBILE BASE FOR PROFESSIONAL CABINET SAW OWNER'S MANUAL



85-008173-00
Rev A - 05292025

TABLE OF CONTENTS

UNPACKING YOUR MOBILE BASE	3
SAFETY	4
INSTALLATION METHODS	4
INSTALLING YOUR MOBILE BASE	7
USING YOUR MOBILE BASE	16

Copyright SawStop, LLC
All Rights Reserved

Original Instructions - Professional Cabinet Saw Integrated Mobile Base

Updates to this manual and additional related documentation such as exploded views and parts lists are available at SawStop.eu or SawStop.uk

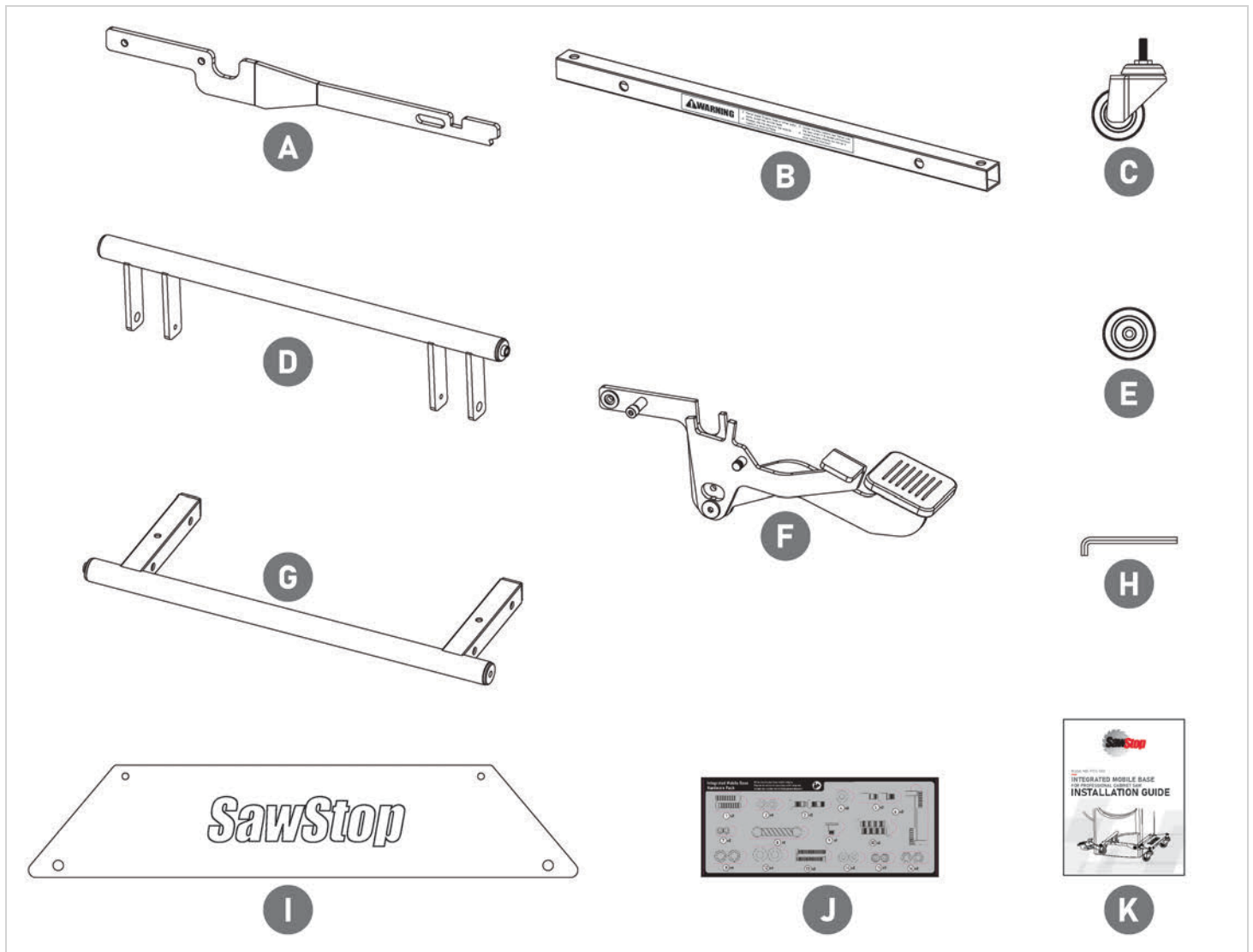


www.SawStop.eu/support

EN	Additional translations of this manual are available from the above URL.
IT	Ulteriori traduzioni di questo manuale sono disponibili all'URL sopra indicato.
NL	Bijkomende vertalingen van deze handleiding zijn beschikbaar via de bovenstaande URL.
SV	Ytterligare översättningar av denna bruksanvisning är tillgängliga via ovanstående URL.
FI	Oppaan muita käännöksiä on saatavilla yllä olevasta URL-osoitteesta.
DA	Der kan findes yderligere oversættelser af denne vejledning på ovennævnte webadresse.
NB	Ytterligere oversettelser av denne håndboken er tilgjengelige på ovenstående internettadresse.
PT	Traduções adicionais deste manual estão disponíveis no URL acima.
CS	Další překlady tohoto návodu jsou k dispozici na výše uvedené adrese URL.
PL	Dodatkowe tłumaczenia tej instrukcji dostępne są pod powyższym adresem WWW.

UNPACKING YOUR MOBILE BASE

While unpacking your mobile base verify that all the components shown on this page are included.



- A. Linkage bar
- B. Caster extension tube
- C. 3" caster (2)
- D. Wheel support

- E. 3" wheel (2)
- F. Pedal assembly
- G. Caster support
- H. 5mm hex wrench

- I. Caster support plate
- J. Hardware pack
- K. Owner's Manual

SAFETY

1. Never place fingers, toes or other body parts under the saw when it is raised onto the mobile base. The base may suddenly lower and cause a severe injury.
2. Do not attempt to use or move the saw on an inclined surface because the weight of the saw makes it difficult to stop. Attempting to use or move the saw on an inclined surface could result in a severe injury.
3. Make sure the saw is fully lowered to the ground and stable before operating the saw. Otherwise, the saw could move unexpectedly and cause a severe injury.
4. Be sure to unplug or disconnect the saw from power before moving or repositioning it. The main power cord or the power outlet could be damaged if the saw is not disconnected from power before moving it.

INSTALLATION METHODS

! IMPORTANT:

This manual contains instructions for two installation scenarios:

METHOD 1: Install your mobile base on a new Professional Cabinet Saw that has not yet been assembled.

METHOD 2: Install your mobile base on a Professional Cabinet Saw that already has a fence system installed.

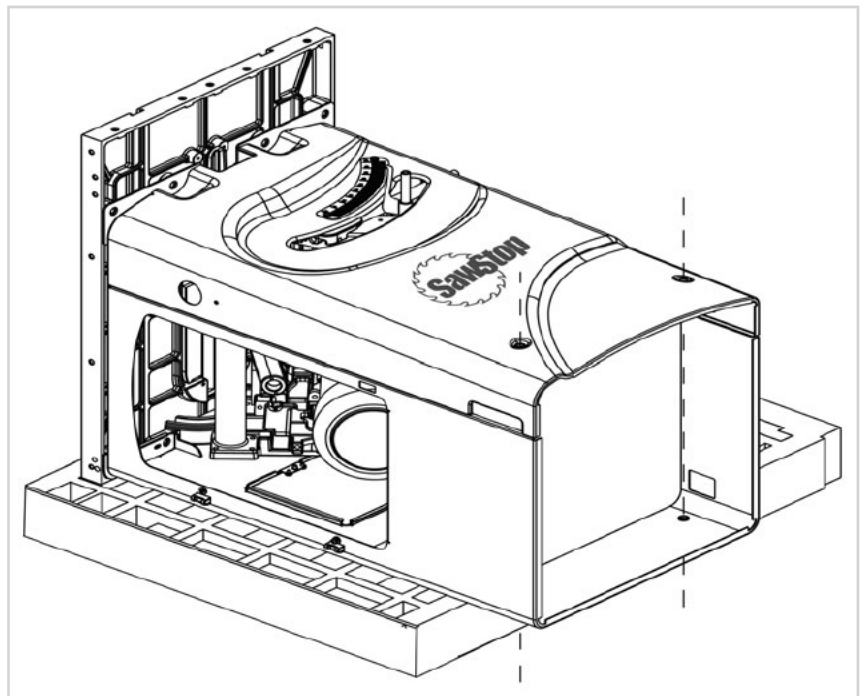
Select the method appropriate for your situation before proceeding.

METHOD 1 SETUP

START HERE to install your mobile base on a new Professional Cabinet Saw that has not yet been assembled.

Access to the bottom of your saw is required to install the mobile base. For ease and safety of during installation, leave the saw facing up on the packaging and slide it so that the bottom of the cabinet overhangs the edge of the packaging as shown.

The saw should overhang the packaging enough to clear the rectangular and circular holes around the bottom of the cabinet.

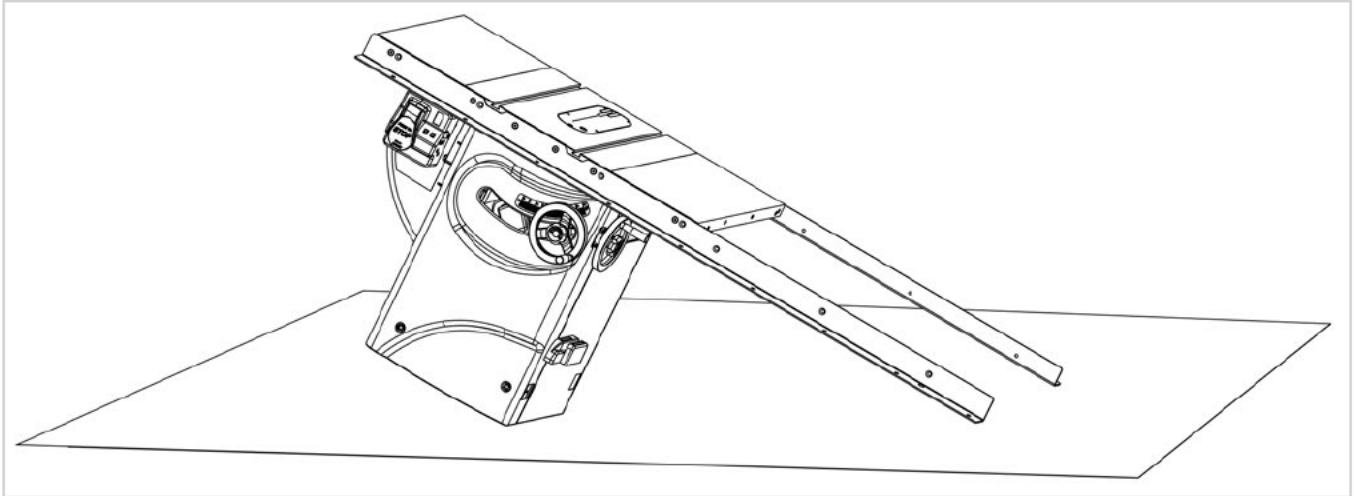


Setup for Method 1 is now complete. Proceed to page 7 and begin the installation.

METHOD 2 SETUP

START HERE to install your mobile base on a Professional Cabinet Saw that has a fence system already installed.

1. Access to the bottom of your saw is required to install the mobile base. For ease and safety of during installation, tip the saw so that it rests on the end of the front rail, as shown below. The saw's center of gravity makes it stable when in this position. Both the front and rear rails must be securely mounted on the saw before tipping the saw.



! IMPORTANT:

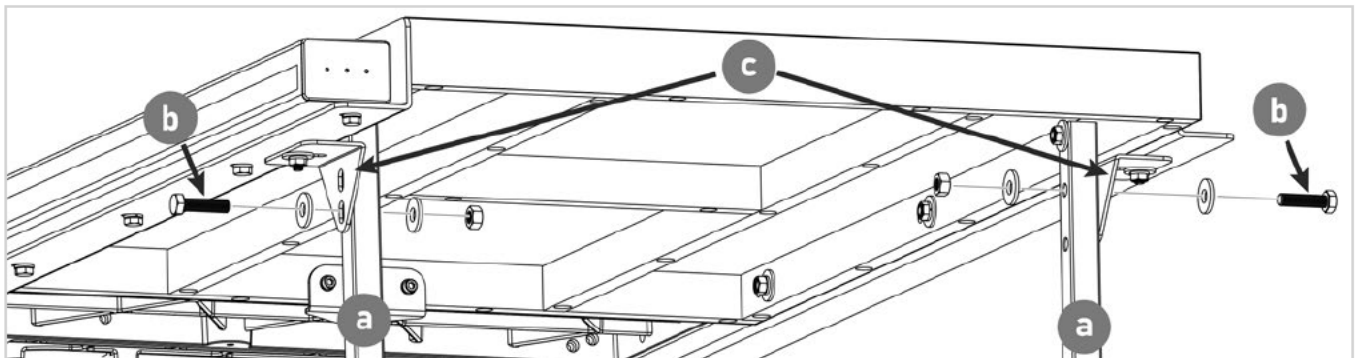
If a SawStop outfeed table accessory is installed, it must be removed before tipping the saw.

! IMPORTANT:

If you have an extension table with support legs attached to your saw, the support legs must be removed or rotated out of the way.

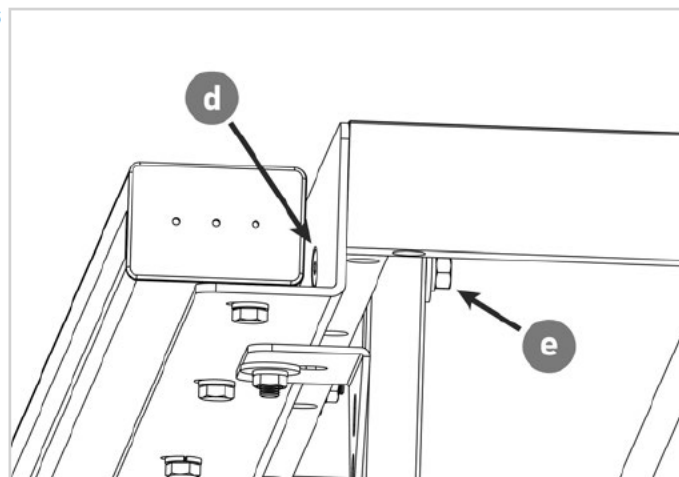
See steps 2 and 3 below to rotate the support legs on a SawStop T-Glide series extension table out of the way. If you have not installed an extension table or your extension table does not have support legs, skip to step 4.

2. Rotate the legs (a) on the extension table out of the way by removing the lower head bolts (b) that mounts each leg its support bracket (c). Use two 17 mm wrenches to remove the bolts. Also remove the corresponding M10 washers and M10 lock nuts and set them aside for later reinstallation.



3. **Loosen** the countersunk socket head bolt (d) that mounts the front leg to the front rail, but do not remove the bolt or nut. Use the 5 mm short-arm hex wrench supplied with the mobile base to keep the bolt from turning as you loosen the nut (e) with a 13 mm wrench.

The 5 mm short-arm hex wrench is sized so that it can engage the head of the bolt without having to remove the front rail tube. Repeat the procedure to loosen the hex nut on the back of the countersunk socket head bolt that mounts the rear leg to the rear rail. Rotate the end of each support leg toward the saw so that both support legs are fully retracted under the surface of the table.



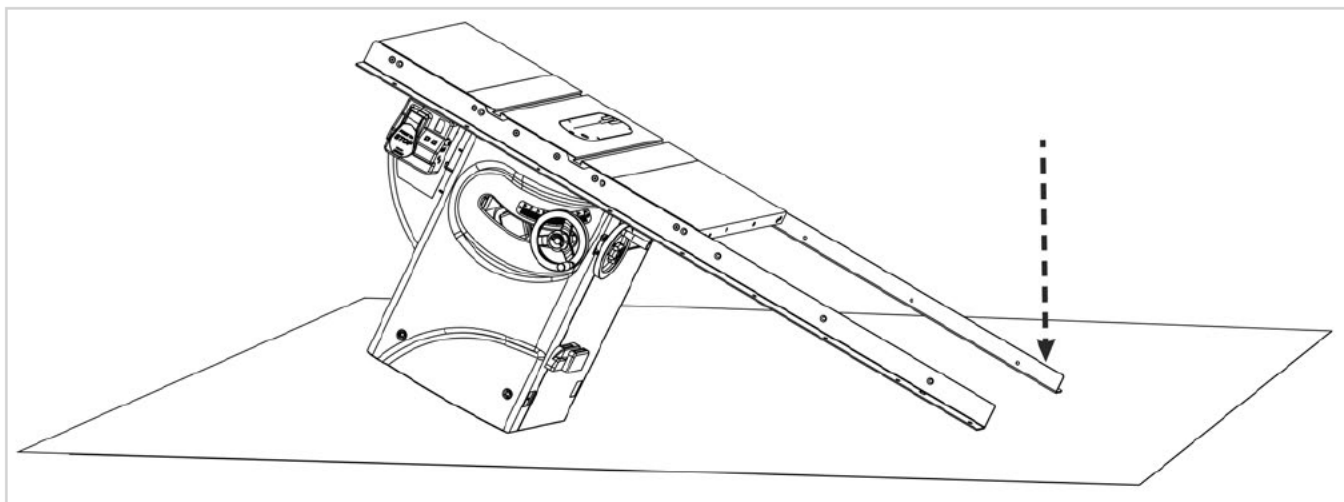
4. To help shift the center of gravity of the saw, adjust the tilt handwheel until the blade is set at 45° to the table. Make sure the saw is on a level surface and then, with the help of an assistant, grip the sides of the rails near the ends and push down to gently lower the rails to the ground.



WARNING:

PINCH DANGER: Do not grip by the extension table or the end of the rails to lower the saw to the tipped position as fingers could become pinched between the extension table or rails and the ground. The rear rail is shorter than the front rail and typically will not touch the ground.

To prevent scratching the rails, you can set the edge of the front rail on a piece of cardboard or cloth.



Setup for Method 2 is now complete. Proceed with the instructions below to begin the installation.

INSTALLING YOUR MOBILE BASE

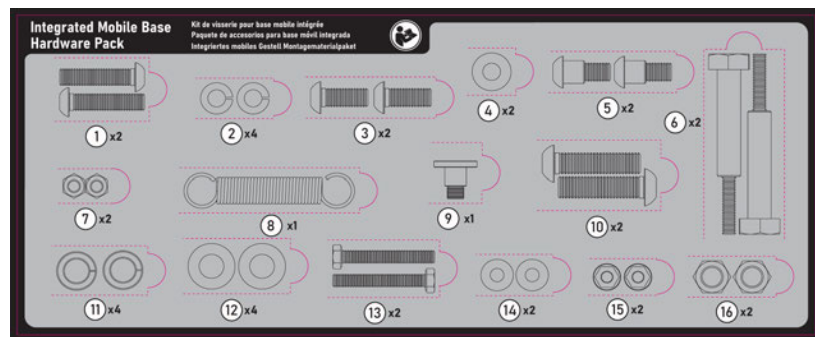
After performing the appropriate setup for Method 1 or Method 2, proceed with the installation instructions below.

Locate all of the mobile base components shown on the previous page. All of the hardware needed to install the mobile base is located on the hardware pack shown below. To easily identify the hardware used in each of the following steps, the different pieces of hardware are numbered on the hardware pack and in the assembly instructions. Similarly, the letter designations for the major components of your mobile base (as labeled on the previous page) are also referenced in the assembly instructions that follow.

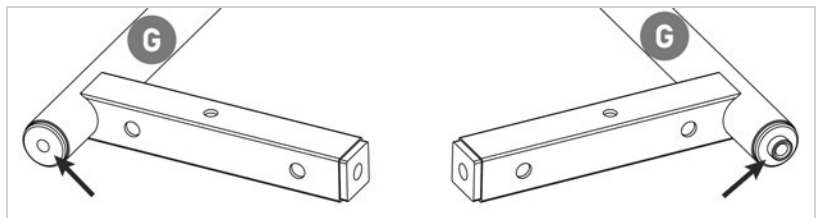
Required Tools:

- 5 mm hex wrench
- 6 mm hex wrench
- 10 mm socket
- 10 mm wrench
- 14 mm wrench
- 17 mm wrench

Hardware Pack:

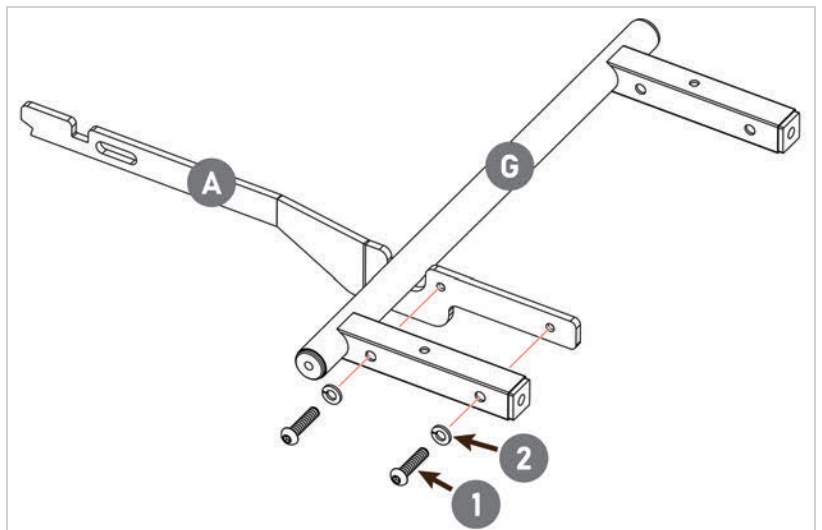


1. Locate the caster support (G), the linkage bar (A), two M8 x 35 button head socket bolts (1), and two M8 x 13.6 lock washers (2). Note that one end of the caster support has a mounting shoulder (shown at left) and the other end does not (shown at right).

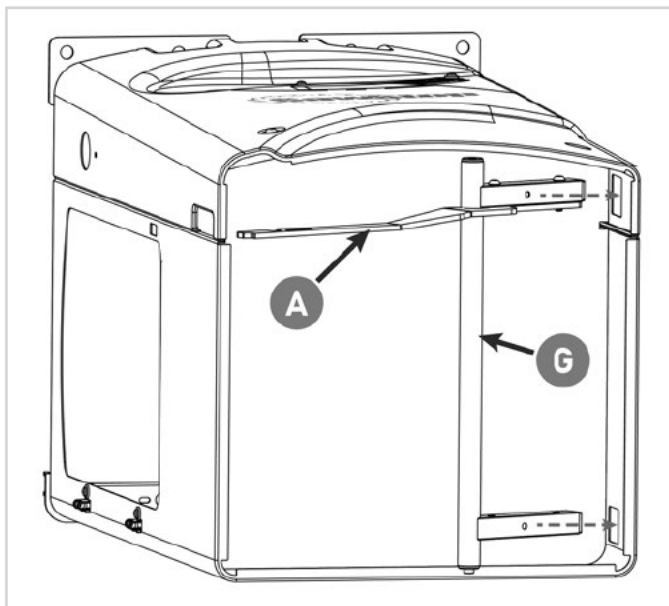


Mount the linkage bar (A) to the inside of the caster support arm nearest the end without the mounting shoulder.

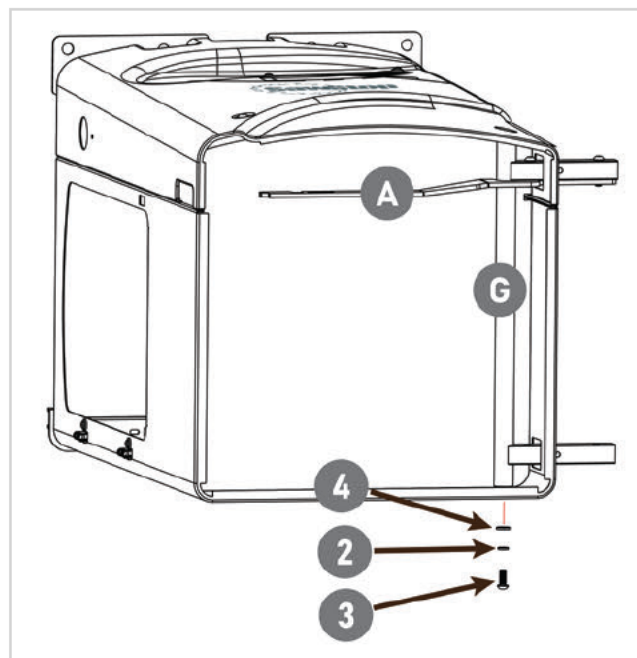
Use the button head sockets bolts (1), lock washers (2), and a 5 mm hex wrench to mount the linkage bar to the caster support arm. Make sure the linkage bar is positioned as shown above with the caster support in the U-shaped notch on the linkage bar.



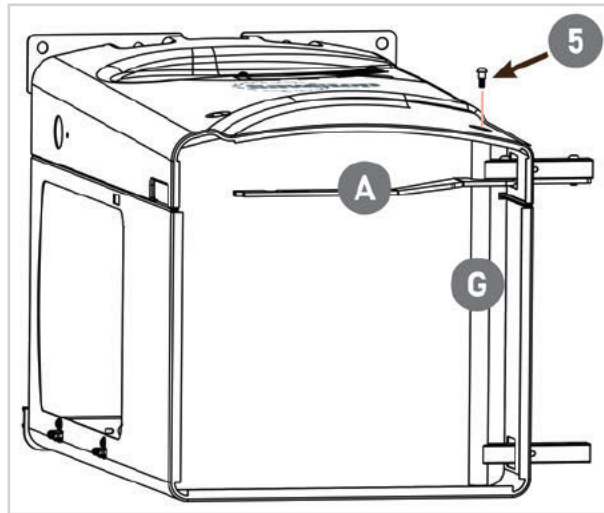
2. Place the ends of the two caster support arms through the two holes in the inside right face of the saw, as shown below. Make sure that the caster support is oriented so that the linkage bar is next to the front of the cabinet.



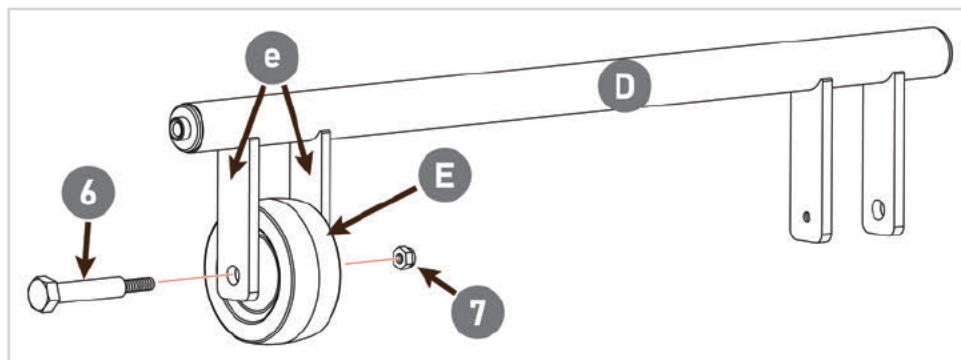
3. Place the end of the caster support (G) next to the back of the saw is the end with the mounting shoulder. Insert the mounting shoulder through the mounting hole in the rear of the cabinet and secure that end of the caster support to the cabinet with one M8 x 20 button head socket bolt (3), one M8 x 13.6 lock washer (2), and one M8 x 18 washer (4). Fully tighten the bolt using a 5 mm hex wrench.



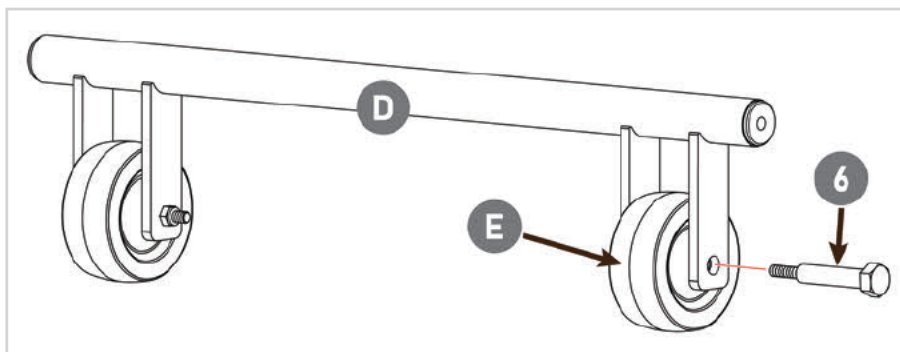
- Align the front end of the caster support (G) with the mounting hole in the lower right corner of the front of the cabinet and secure that end of the caster support to the cabinet with an M8 x 20 button head shoulder socket bolt (5). Note that this bolt is different than the bolt used to secure the rear of the caster support to the cabinet. Fully tighten the bolt using a 5 mm hex wrench.



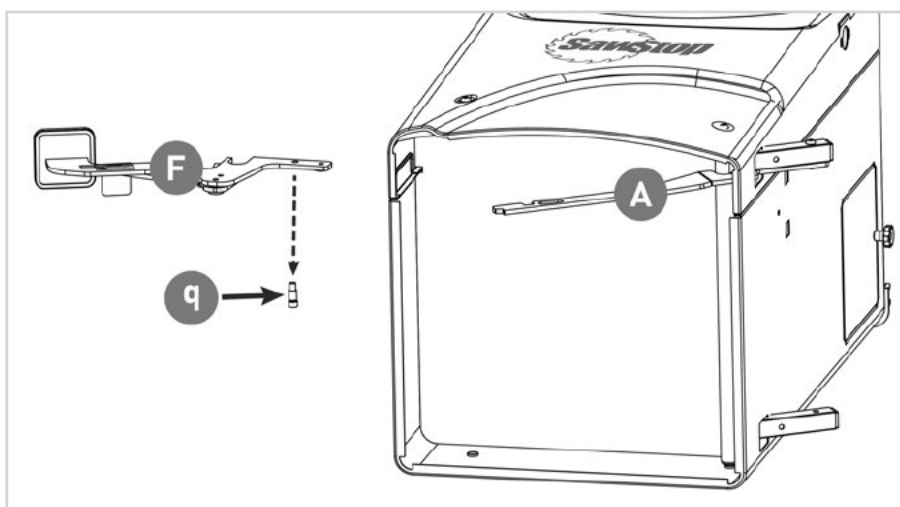
- Locate the wheel support (D) and the two 3 inch wheels (E). Note that one end of the wheel support has a mounting shoulder and the other end does not. Mount one of the 3 inch wheels (E) between the two wheel support arms (e) nearest the end of the wheel support that has the mounting shoulder using a fixed wheel axle (6) and an M6 lock nut (7) from the hardware pack. The fixed wheel axle passes through the outer support arm and threads through the inner support arm. Fully tighten the nut using a 17 mm wrench and a 10 mm wrench.



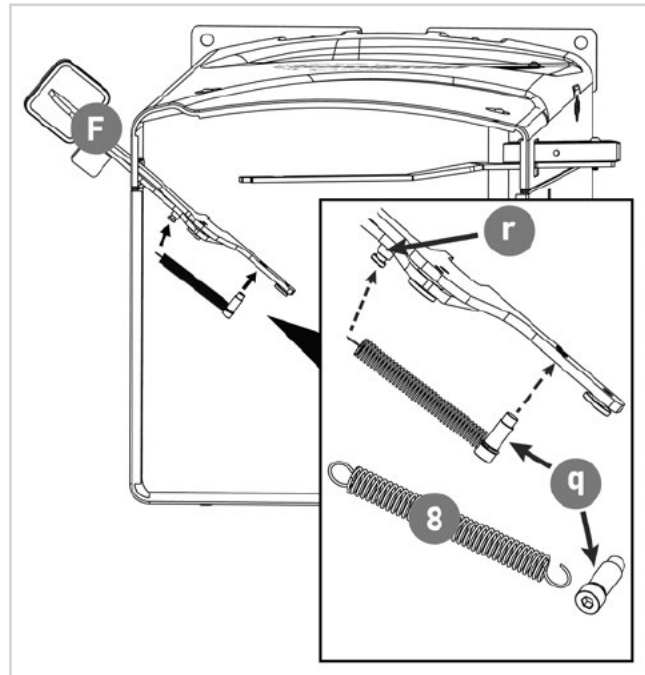
6. Mount the second 3 inch wheel (E) to the other end of the wheel support (D) using the other fixed wheel axle (6), but do not thread a nut onto the axle. The fixed wheel axle passes through the outer support arm and threads through the inner support arm. Set the wheel support aside for a moment.



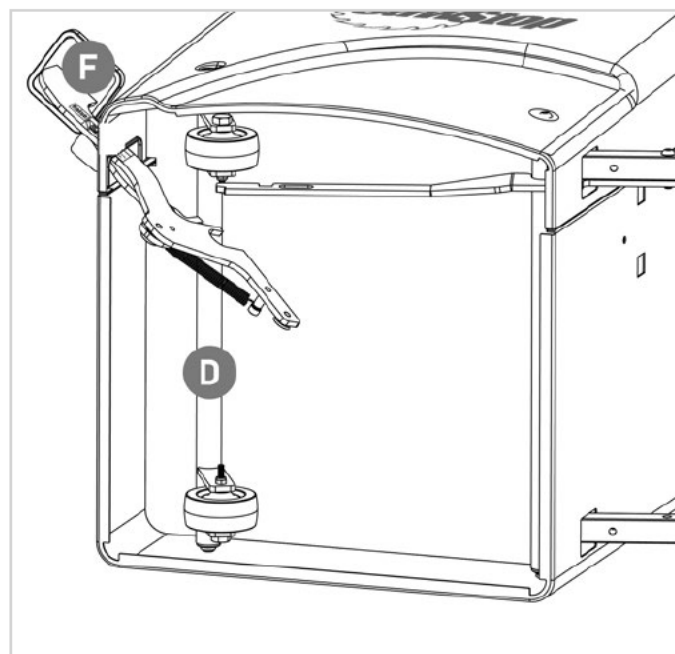
7. Locate the pedal assembly (F) and use the 5mm hex wrench to remove the grooved shoulder bolt (q). Insert the assembly into the hole in the left side of the cabinet as shown below. Insert the pedal assembly as far as possible and make sure that the foot pad is facing the top of the cabinet.



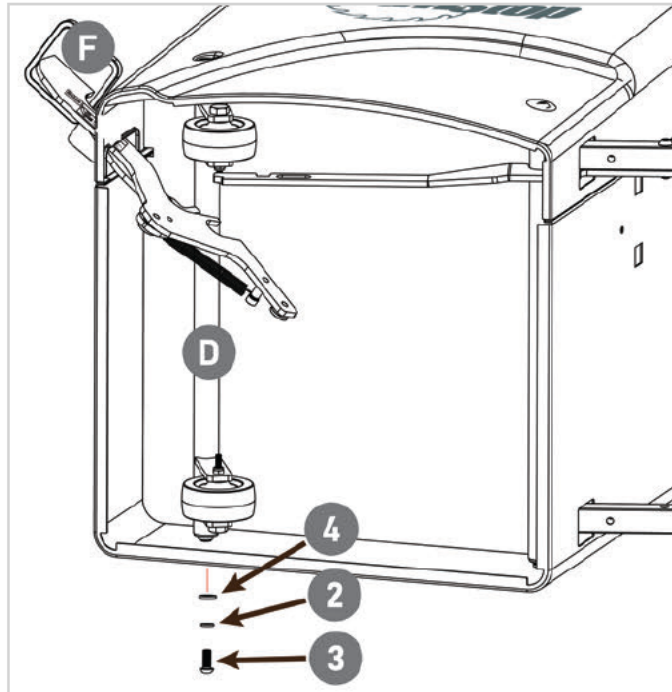
8. Remove the extension spring (8) from the hardware pack. Note that the loop on one end of the spring is open. Place that end of the spring into the groove on the shoulder bolt (q) on the pedal assembly. Thread the shoulder bolt into the hole in the pedal assembly, and then use the 5 mm hex key to tighten the bolt. Attach the other end of the spring to the grooved pin (r).



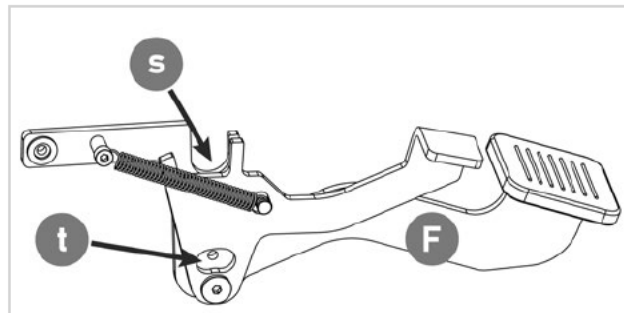
9. Place the wheel support (D) inside the cabinet and behind the pedal assembly (F), as shown. The pedal assembly must be inserted through the hole in the cabinet before the wheel support is placed inside the cabinet, otherwise the wheel support will block the pedal assembly. Make sure that the end of the wheel assembly with the mounting shoulder is at the rear of the cabinet. Note that the pedal assembly is loose and can move to allow you to position the wheel support. When the wheel support is correctly positioned the pedal assembly will be between the two wheels as shown.



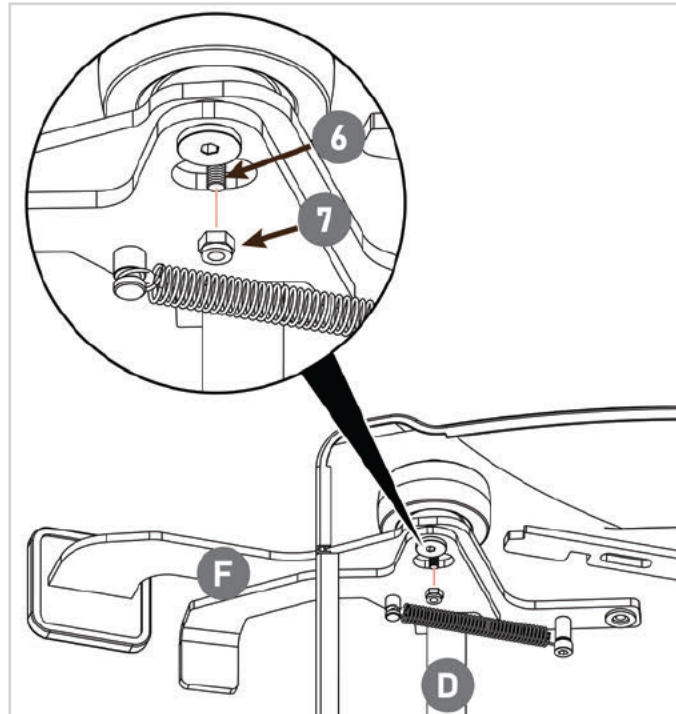
10. Insert the mounting shoulder on the rear end of the wheel assembly through the mounting hole on the rear of the cabinet and secure that end to the cabinet with one M8 x 20 button head socket bolt (3), one M8 x 13.6 lock washer (2), and one M8 x 18 washer (4). Fully tighten the bolt using a 5 mm hex wrench.



11. Position the pedal assembly so that it fits against the wheel support. The pedal assembly includes notches (s) shaped to fit over the wheel support bar, and a mounting hole (t) shaped to fit over the threaded end of the fixed wheel axle.

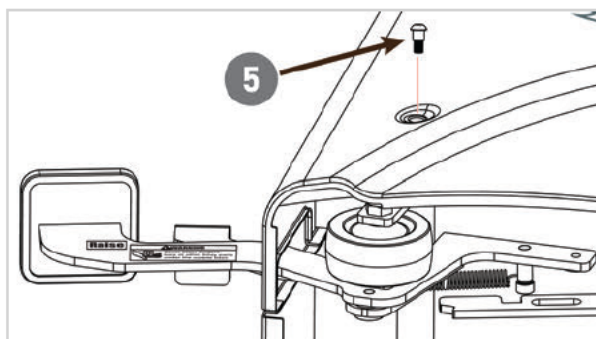


Squeeze the foot pad and the release lever together until the notches (s) for the wheel support align as shown below.

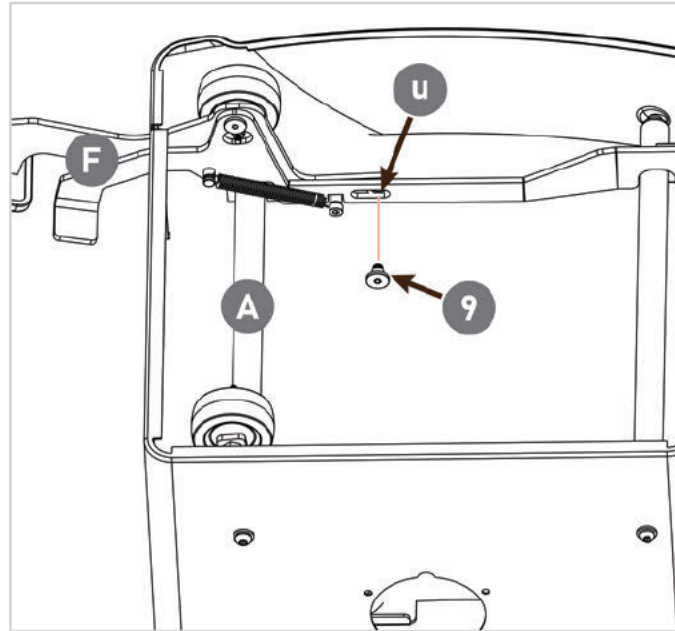


With the slots aligned, position the pedal assembly so that the wheel support bar (D) fits in the notches (s) and so that the threaded end of the fixed wheel axle extends through the mounting hole in the pedal assembly (F). When positioning the pedal assembly make sure the linkage bar (A) extending from the caster support (G) is rotated outwards so that it is farther away from the saw than the pedal assembly (F) as shown above. Use an M6 lock nut (7) from the hardware pack to secure the pedal assembly (F) to the fixed wheel axle (6) as shown. Fully tighten the nut using a 17 mm wrench and a 10 mm socket.

- Align the front end of the wheel support (D) with the mounting hole in the lower left corner of the front of the cabinet. Secure that end of the wheel support to the cabinet with an M8 x 20 button head shoulder socket bolt (5). Note that this bolt is different than the bolt used to secure the rear of the wheel support to the cabinet. Fully tighten the bolt using a 5 mm hex wrench.



13. Next, connect the pedal assembly (F) to the linkage bar (A). Note the slot in the linkage bar (A) near the pedal assembly and the plastic washer and threaded hole on the pedal assembly near the linkage bar. Pivot the linkage bar and the pedal assembly until the slot in the linkage bar (u) aligns with the plastic washer and the threaded hole in the pedal assembly (F). Insert an M8 x 17.7 shoulder socket screw (9) through the slot in the linkage bar and thread it into the hole in the pedal assembly (F). Fully tighten the screw with a 5 mm hex wrench.



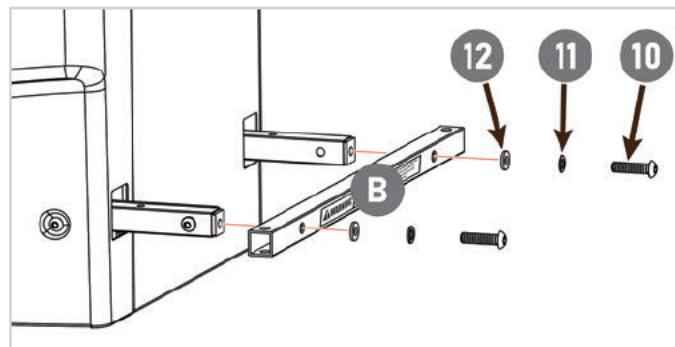
14. **METHOD 1 ONLY (new saw).** If you are using Method 2, skip this step.

Stand up your saw as described in the assembly instructions included with your Professional Cabinet Saw.

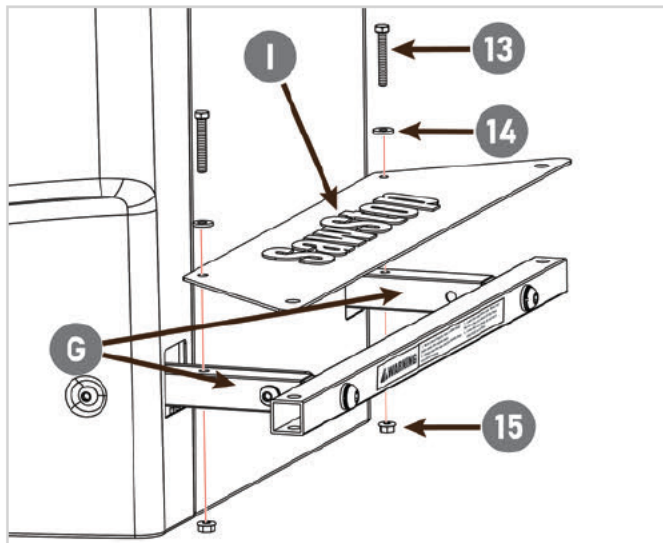
15. **METHOD 2 ONLY (already assembled saw).** If you are using Method 1, skip this step.

With the help of a second person, lift the end of the fence rails and gently bring the saw back to the upright position. Be careful not to let the cabinet fall back to the floor rapidly.

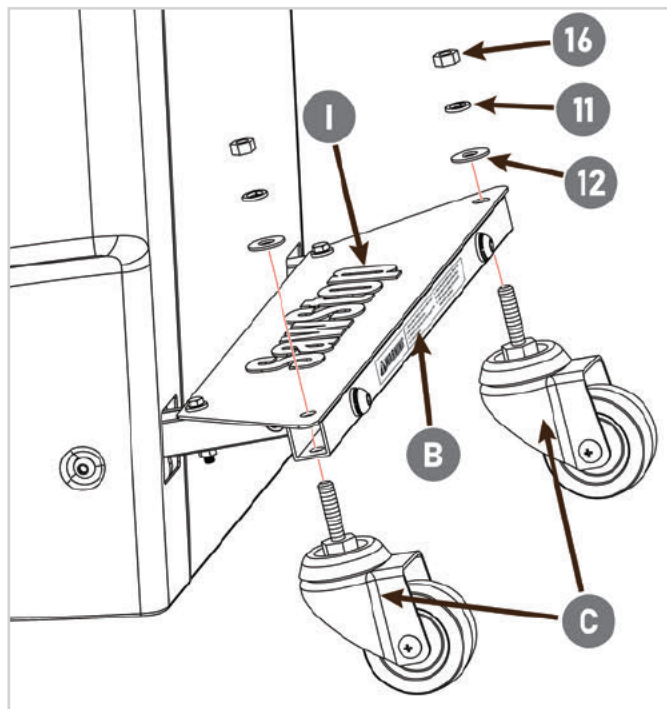
16. With the saw in the upright position, mount the caster extension bar (B) to the two caster support arms that extend from the right side of the cabinet. Make sure that the warning label is facing outward. Use two M10 x 40 button head socket bolts (10), two M10.5 x 17 lock washers (11), and two M10.5 x 20 washers (12) to mount the caster extension bar to the caster support arms. Fully tighten the bolts with a 6 mm hex wrench.



17. Position the caster support plate (I) on the top of the caster support arms (G) so that the mounting holes align as shown. Make sure that the SawStop logo faces up. Secure the support plate (I) to the caster support arms with two M6 x 40 hex bolts (13), two M6 x 16 washers (14), and two M6 flange lock nuts (15). Fully tighten the two bolts using a 10 mm wrench and a 10 mm socket.



18. Mount the two 3 inch casters (C) to the outer corners of the support plate (I) by inserting the threaded shaft on each caster up through the corresponding holes in the caster extension tube (B) and caster support plate (I). Secure the casters in place with two M10.5 x 20 washers (12), two M10.5 x 17 lock washers (11), and two caster nuts (16), as shown. Fully tighten the caster nuts with a 14 mm wrench.



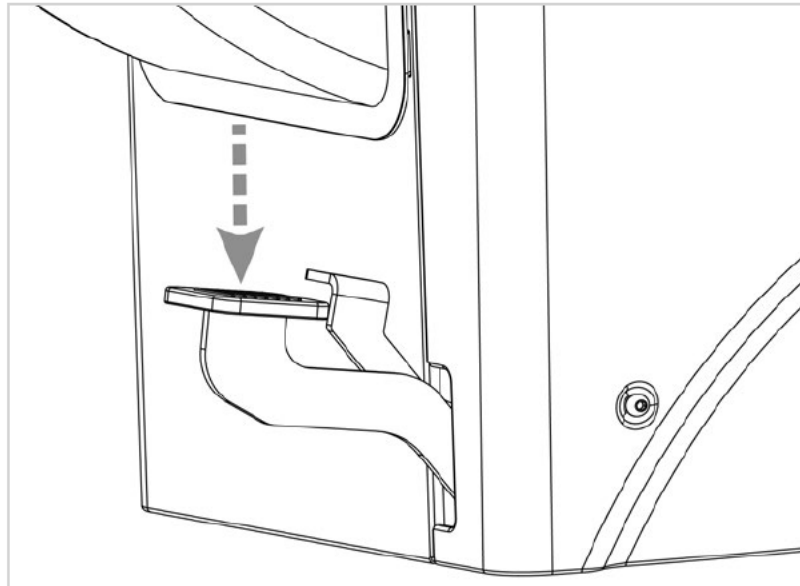
CONGRATULATIONS! Your mobile base is now installed. You may now re-install extension or out-feed tables and a fence system.

USING YOUR MOBILE BASE

! IMPORTANT:

If a SawStop outfeed table accessory is installed, it must be removed before moving your saw with the mobile base. Attempting to lift the saw with the out-feed table attached may damage the out-feed table.

1. To raise the saw off the floor and onto the wheels, simply step down on the large foot pedal (e). Continue pressing downward on the foot pedal until you hear the mobile base lock in the raised position. Make sure that your foot does not contact the smaller pedal (f) while raising the saw. Doing so would lower the saw again.

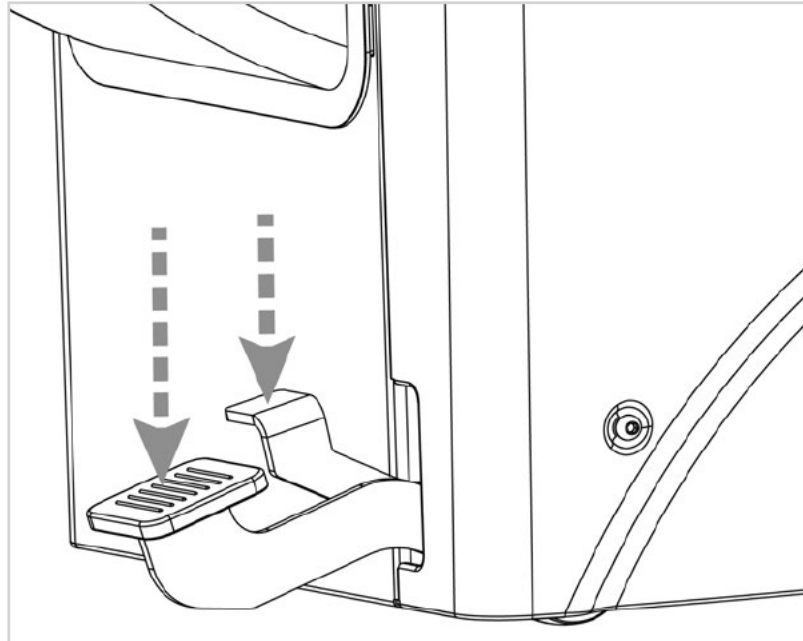


2. With the saw in the raised position you can move it as desired. The mobile base has two fixed wheels on the left side and two casters on the right side, so it may be easier to maneuver the saw by pushing from the right side.

i NOTE:

The mobile base has been designed to lift saws with or without extension tables. You do not need an additional arm extending out from the mobile base to support your extension table. However, if you have an out-feed table attached to your saw you must remove it before using the mobile base to move your saw.

3. To lower the saw back to the floor, step down on both the large foot pedal (e) and the smaller release lever (f) simultaneously. Slowly lift your foot upwards to allow the saw to gently lower to the floor. Do not step on the release lever (f) without having your foot also firmly on the larger foot pedal (e) or your saw will lower to the floor rapidly.



NOTES



NOTES





USA/CANADA

SawStop, LLC

11555 SW Myslony St,
Tualatin, OR 97062 USA

SawStop.com/support

Service@SawStop.com
(503) 582-9934

Parts available for purchase at SawStop.com

EUROPE/UK

TTS Europe SE

Wertstrasse 20
73240 Wendlingen a.N., DE

UK Regulatory

Authorised Rep Compliance Ltd., ARC House,
Thurnham, Lancaster, LA2 0DT, UK.

SawStop.eu/support

SupportEurope@SawStop.com

AUSTRALIA

Carbatec.com.au/contact

customercare@carbatec.com.au