



EN

DE

FR

ES

Model MB-PCS-IND-I

# INDUSTRIAL MOBILE BASE OWNER'S MANUAL



85-008174-00  
Rev A - 05292025



[www.SawStop.eu/support](http://www.SawStop.eu/support)

EN - Additional translations of this manual are available from the above URL.  
IT - Ulteriori traduzioni di questo manuale sono disponibili all'URL sopra indicato.  
NL - Bijkomende vertalingen van deze handleiding zijn beschikbaar via de bovenstaande URL.  
SV - Ytterligare översättningar av denna bruksanvisning är tillgängliga via ovanstående URL.  
FI - Oppaan muita käännöksiä on saatavilla yllä olevasta URL-osoitteesta.  
DA - Der kan findes yderligere oversættelser af denne vejledning på ovennævnte webadresse.  
NB - Ytterligere oversettelser av denne håndboken er tilgjengelige på ovenstående internettadresse.  
PT - Traduções adicionais deste manual estão disponíveis no URL acima.  
CS - Další překlady tohoto návodu jsou k dispozici na výše uvedené adrese URL.  
PL - Dodatkowe tłumaczenia tej instrukcji dostępne są pod powyższym adresem WWW.

Copyright SawStop, LLC  
All Rights Reserved

Original Instructions - Industrial Mobile Base

Updates to this manual and additional related documentation such as exploded views and parts lists are available at [SawStop.eu](http://SawStop.eu) or [SawStop.uk](http://SawStop.uk)

## SAFETY

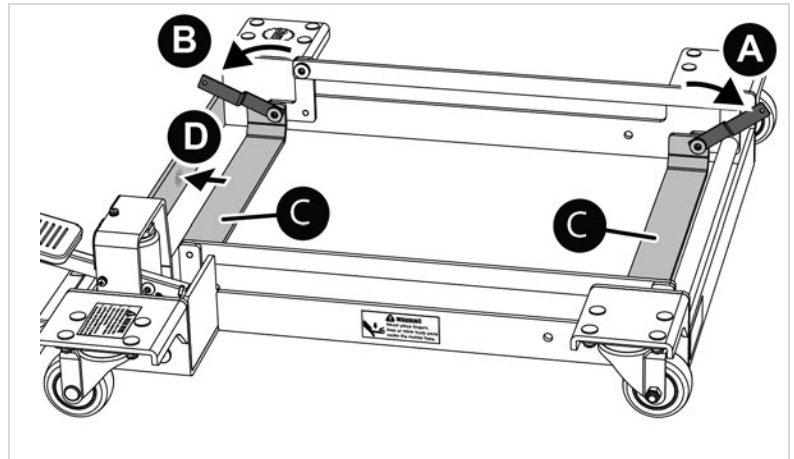
1. Never place fingers, toes or other body parts under the mobile base. The base may suddenly lower on you and cause a severe injury.
2. Do not attempt to use or move the saw on an inclined surface. The saw is very heavy and difficult to stop on an inclined surface. Attempting to use or move the saw on an inclined surface could result in a severe injury.
3. Make sure the saw is fully lowered to the ground and stable before operating the saw. Otherwise, the saw could move unexpectedly and cause a severe injury.
4. Do not raise the saw higher than necessary to move it. Instead, raise the saw only enough to provide sufficient ground clearance.
5. Be sure to unplug or disconnect the saw from power before moving or repositioning it. The main power cord or the power outlet could be damaged if the saw is not disconnected from power before moving it.

# HOW TO PLACE THE SAW IN THE MOBILE BASE

Before placing the saw on the mobile base, it is important to rotate the rear hold-down bracket (A) back as far as possible and to rotate the front hold-down bracket (B) forward as far as possible. To safely place the saw into the mobile base, you will need at least four people to lift the saw off the floor and then lower it onto the mobile base. Have one person lift each corner of the cast iron table top. If your saw has an extension table, have the two people on the right side of the saw lift on the extension rails near the outer corner of the cast iron extension wing, not at the end of the extension table.

If a fifth person is available, it may be easier to have four people lift the saw and the fifth person slide the base under the saw. If installing during initial assembly of a new saw, attach it while the saw is resting on its side before ever standing the saw upright.

Make sure the mobile base is centered underneath the table saw and that the foot pedal is in the front. The saw should sit on the two “straps” (C) on the interior of the mobile base, and the front of the cabinet should be touching the inside of the front face (D) of the mobile base frame.



Locate the two self-tapping screws and the two M4 x 12 x 1 washers (E). Some cabinet configurations will have pre-drilled holes for the self-tapping screws. If your saw cabinet does not have pre-drilled holes, or you are having difficulty aligning the holes, rotate the rear hold-down bracket (A) until the top hole is over the flat face of the cabinet. Place one of the M4 x 12 x 1 washers over the end of one of the self-tapping screws and use a drill with a 1/4 inch hex drive bit to mount the rear hold-down bracket to the cabinet, as shown in Fig. 2a. There is no need to pre-drill a hole for the self-tapping screws, but be careful not to over-tighten the screws or the threads in the cabinet may strip out. Next, rotate the front hold-down bracket (B) until it is vertical and repeat the same procedure to mount it to the cabinet, as shown in Fig. 2b.

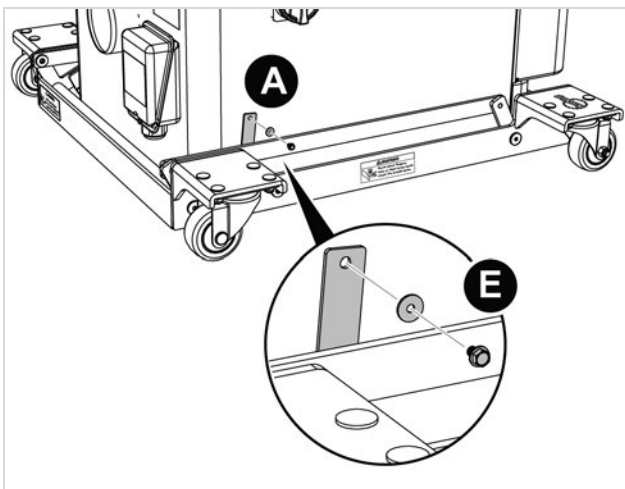


Fig. 2a

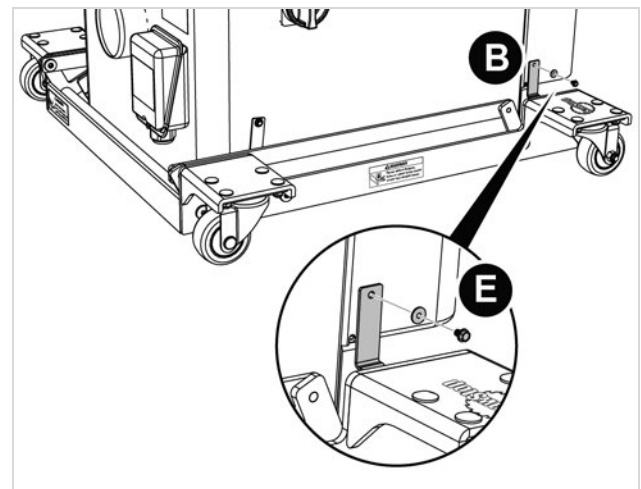
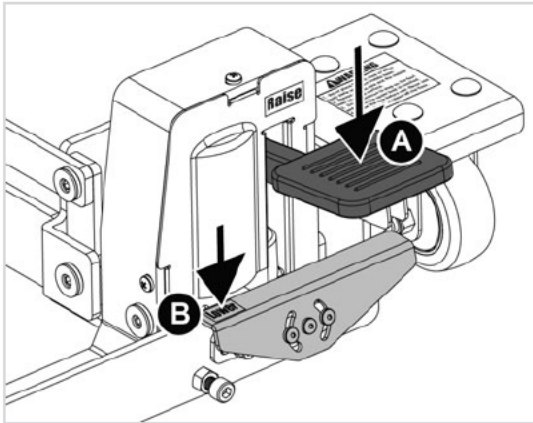


Fig. 2b

Your mobile base has been engineered to lift saws with or without extension tables. You do not need an additional arm extending out from the mobile base to support the extension table.

## USING YOUR MOBILE BASE

1. To move your saw with the mobile base, step down on the foot pedal (A) several times to raise the saw off the floor and onto the wheels. Do not raise the saw higher than necessary to move it. Instead, raise the saw only enough to provide sufficient ground clearance. Do not continue to step on the foot pedal once the upper limit is reached.
2. Move the saw to its desired location.
3. Step down on the left side of the release lever (B) to lower the saw back to the floor.



### WARNING:

Do not attempt to run the saw while raised. Be sure to first lower the saw to the floor.

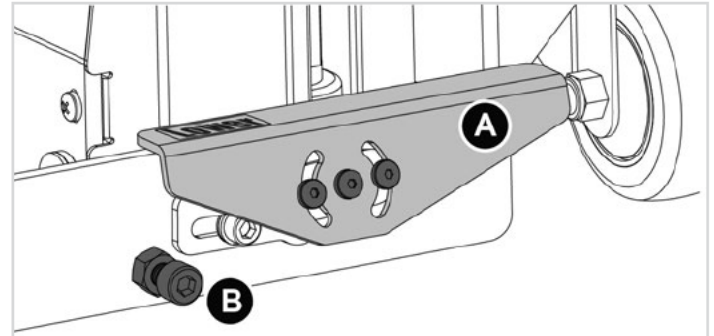


### WARNING:

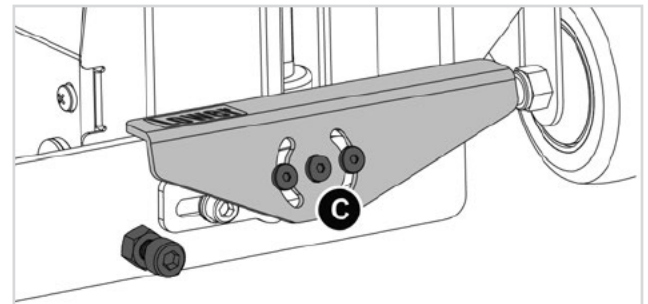
When both SawStop Industrial Mobile Base and the SawStop Folding Outfeed Table are installed, note that the table will not stow completely against the saw cabinet. Be mindful of this potential trip hazard.

## MAKING ADJUSTMENTS TO YOUR MOBILE BASE

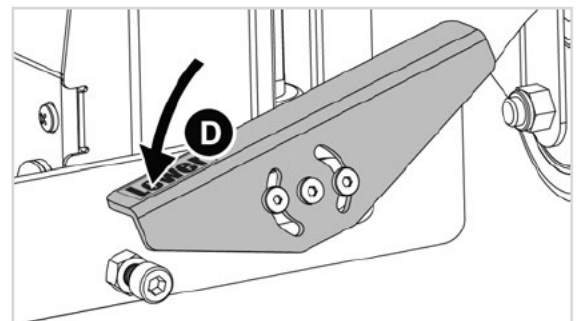
Your mobile base includes an adjustable release lever (A) that allows you to control how fast the saw lowers. The lever should be adjusted so the saw gently descends back to the floor when the release lever is touching the release stop (B). If the saw descends too fast, descends too slowly, or does not descend at all, adjust the release lever as follows.



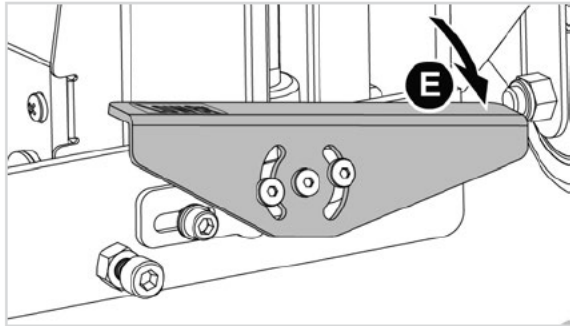
1. Loosen the three screws (C) in the release lever with a 4mm hex wrench. Do not remove the screws. Once the three screws are loose, the release lever will rotate around the center screw.



2. To decrease the speed at which the saw lowers, rotate the release lever (D) counter-clockwise a small amount.



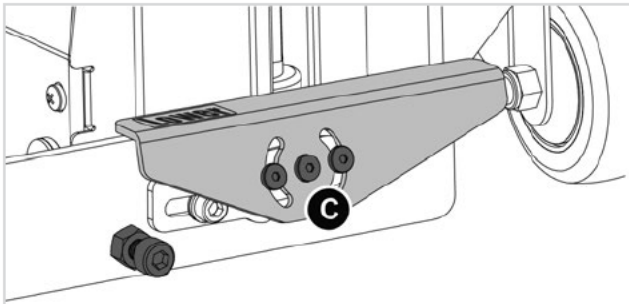
To increase the speed at which the saw lowers, rotate the release lever (E) clockwise a small amount.



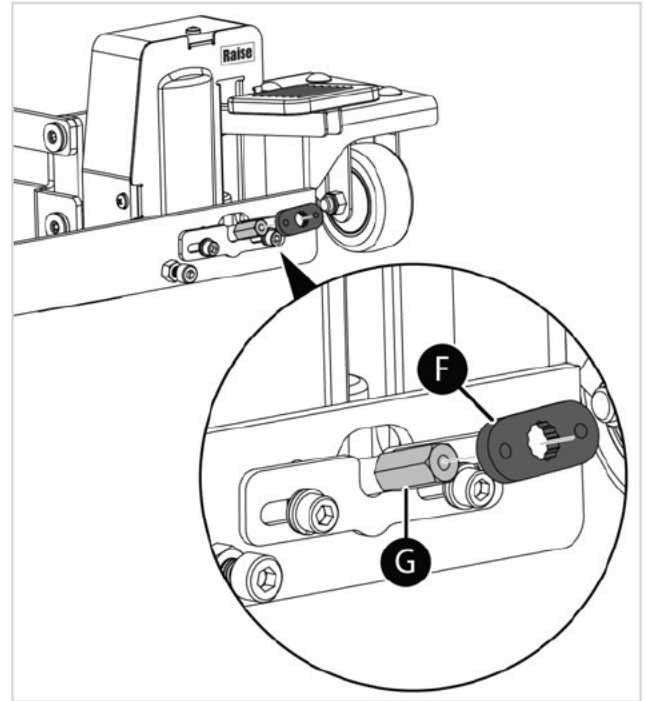
3. Once the release lever has been rotated, tighten all three screws and test how fast the saw lowers to the floor. If necessary, repeat steps 1-3 until the release operates as desired. If you have adjusted the release lever to the end of its adjustment range and your saw still descends too quickly or too slowly, proceed to steps 4-7. Otherwise, no additional adjustment is needed and you can skip steps 4-7.

Perform the following steps only if necessary after following steps 1-3.

4. Remove the three screws in the release lever (C) using a 4mm hex wrench.



5. Slide the release lever off the hexagonal shaft on which it is mounted.
6. After removing the release lever, you will see a release adjustment plate (F). That plate has a hole with 12 notches. To decrease the speed at which the saw lowers, slide the adjustment plate off the hexagonal shaft (G) and rotate the plate counter-clockwise one notch (1/12th of a turn) before sliding it back onto the shaft. To increase the speed at which the saw lowers, slide the adjustment plate off the hexagonal shaft and rotate the plate clockwise one notch (1/12th of a turn) before sliding it back onto the shaft.



7. Reinstall the release lever on the hexagonal shaft, then replace and fully tighten the three release lever screws. Test the speed at which the saw lowers and repeat these steps if necessary.

## HYDRAULIC JACK MAINTENANCE

- Keep the jack clean and free from sawdust.
- Use SAE 30 oil to periodically lubricate the points (A) shown in Fig. 10. To access the lubrication points, remove the three jack cover screws (B) using a Philips head screwdriver (see Fig. 8) and then remove the jack cover (C).
- The jack must have the proper amount of hydraulic oil to function correctly. If the jack is not lifting or maintaining the weight of the saw properly you may need to remove the jack from the mobile base and add hydraulic oil as follows:

1. Make sure the saw is lowered to the ground. Remove the center release lever screw (D) shown in Fig. 8 using a 4mm hex wrench.

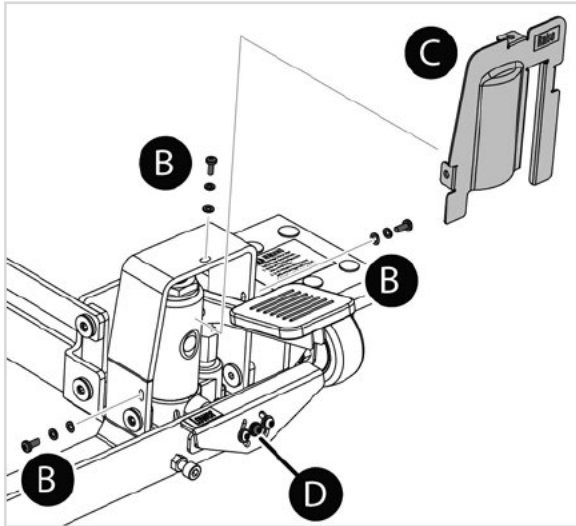


Fig. 8

Remove the three jack cover screws, and the two jack mounting screws (E) shown in Fig. 9 using a Philips screwdriver.

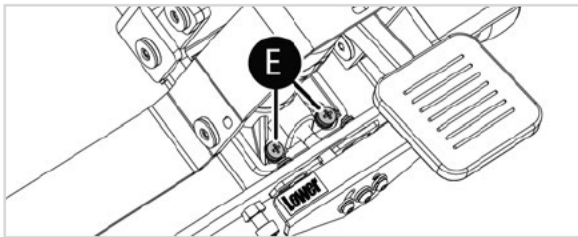


Fig. 9

2. Slide the release lever (with the attached release adjustment plate) off the hexagonal shaft. Remove the jack cover.
3. Place a flat head screwdriver on top of the jack lifting piston (F) (see Fig. 10) and push the piston down as far as possible. Remove the jack by tilting the top forward and sliding the hexagonal shaft back out of the hole in the mobile base frame.

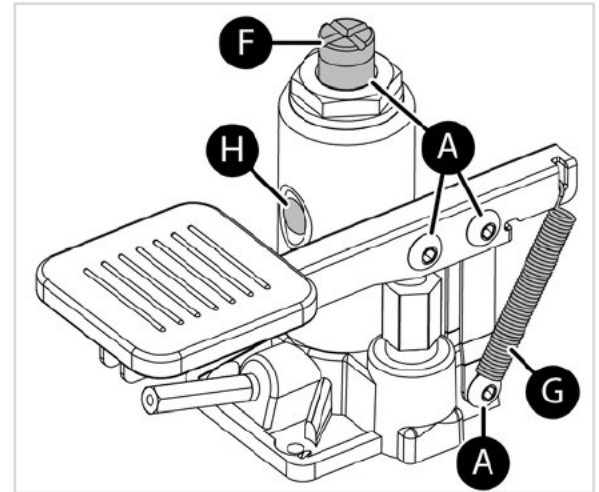


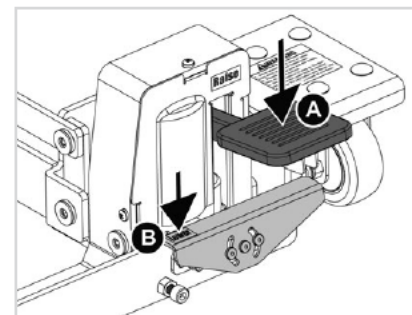
Fig. 10

4. Once the jack is removed, place it in an upright position and remove the extension spring (G). Completely depress the foot pedal. Remove the rubber filler plug (H) shown in Fig. 10 by pulling it out with your fingers or prying it out with a flat head screwdriver. Add hydraulic jack oil so that the oil level is just to the bottom of the filler hole. Use only hydraulic jack oil. Replace the filler plug and extension spring and reinstall the jack by reversing the steps set forth above. Finally, verify that the support bracket is properly adjusted so that it is supporting the hexagonal shaft.

## PURGE AIR FROM JACK

If pumping the foot pedal does not raise the jack piston, or raises it only during the last part of the stroke, air bubbles may have formed in the hydraulic oil during shipment. Follow these steps to purge the air from the jack.

1. With the saw in the mobile base, fully lower the saw by stepping on the left side of the release lever (B). The release lever is below the foot pedal (A).



2. There are three screws on the front of the release lever. A center screw holds the lever on a hexagonal shaft. Remove only the center screw and slide the lever off the hexagonal shaft, noting the rotational position of the lever relative to the shaft so that you can slide the lever back on the shaft in the same orientation.
3. Turn the hexagonal shaft counterclockwise 1/2 turn.
4. Pump the foot pedal (A) rapidly 10 times.
5. Turn the hexagonal shaft back clockwise 1/2 turn.
6. Reinstall the release lever in the same position on the hexagonal shaft.
7. Test the jack and repeat these steps to purge any remaining air.
8. If the mobile base lowers the saw too quickly or too slowly, adjust the release lever as described in the Owner's Manual.



# NOTES

