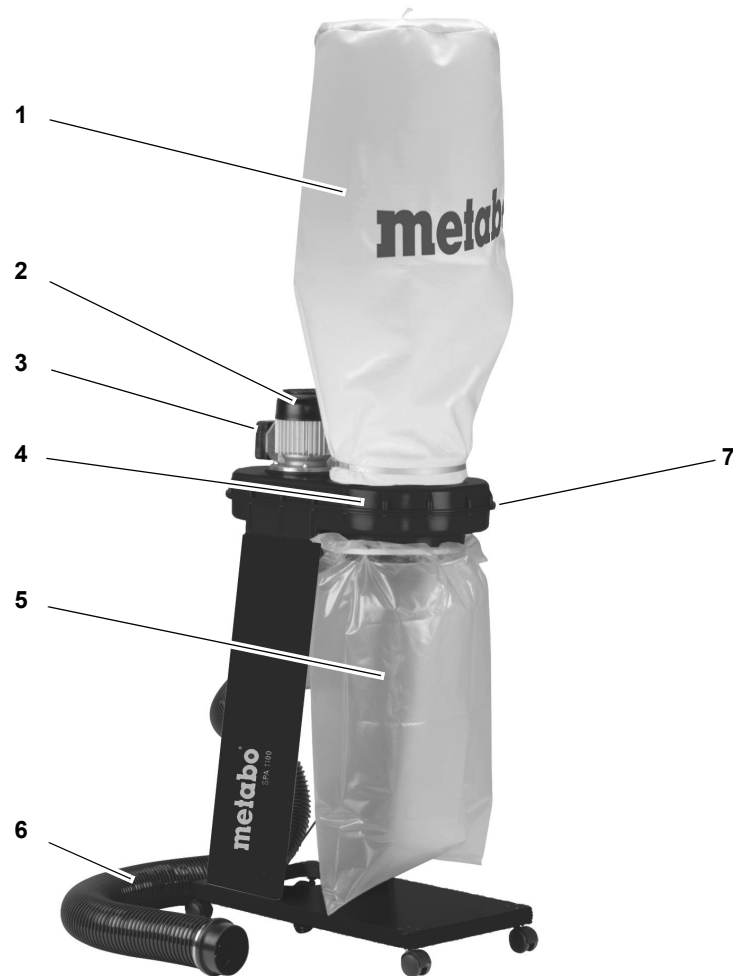


## SPA 1200



Ⓓ	Originalbetriebsanleitung	3
Ⓔ	Original operating instructions	10
Ⓕ	Instructions d'utilisation originales	17
Ⓖ	Origineel gebruiksaanwijzing	24
Ⓟ	Oryginalna instrukcja obsługi	31
Ⓒ	Originální návod k osbluze	38
Ⓔ	Izvirna navodila za uporabo	45
Ⓔ	Originál használati utasítás	52
Ⓔ	Оригинальное руководство по эксплуатации.	59

## 1. Components and Parts (standard delivery)



### Operating elements

- 1 Dust bag
- 2 Electric motor
- 3 ON/OFF switch
- 4 Fan housing
- 5 Dust collection bag
- 6 Suction hose
- 7 Transport handle

### Machine documents

- Operating instructions
- Spare parts list

## Table of Contents

1. **Components and Parts (standard delivery)**
2. **Please read first!**
3. **Safety**
  - 3.1 Specified Conditions of Use
  - 3.2 General Safety Instructions
  - 3.3 Symbols on the Machine
4. **Assembly**
  - 4.1 Mains Connection
  - 4.2 Electrostatic Charging
  - 4.3 Overload Protection
5. **Operation**
6. **Care and Maintenance**
  - 6.1 Maintenance
  - 6.2 Cleaning
  - 6.3 Storage
  - 6.4 Repairs
7. **Available Accessories**
8. **Disposal**
9. **Technical Specifications**

## 2. Please read first!

These operating instructions have been written to make it easier for you, the user, to learn how to operate this machine and to do so safely. Here is how to use the instructions:

- Read these instructions before use. Pay special attention to the safety information.
- These instructions are intended for persons having a basic technical knowledge of the operation of machines like the one described herein. If you have no experience whatsoever, we strongly recommend to seek the advice of an experienced person.
- Keep all documents supplied with this machine for future reference. Retain your proof of purchase in case of a future warranty claim.
- This machine must not be sold or lent to someone else without being accompanied by these operating instructions and all other machine documents.
- The manufacturer is not liable for any damage resulting from neglect of these operating instructions.

Information in these instructions is denoted as under:



**Danger!**

Risk of personal injury or environmental damage.



**Risk of electric shock!**

Risk of personal injury by electric shock.



**Caution!**

Risk of material damage.



**Note:**

Additional information.

- At times, numbers are used in illustrations (1, 2, 3, ...). These numbers
  - indicate component parts;
  - are consecutively numbered;
  - correspond with the number(s) in brackets (1), (2), (3) ... in the neighbouring text.
- Numbered steps must be carried out in sequence.
- Instructions which can be carried out in any order are indicated by a bullet point (•).
- Listings are marked by a dash (–).

## 3. Safety

### 3.1 Specified Conditions of Use

This machine is designed for the extraction of wood and plastic chips as well as wood dust from woodworking machines.

Inflammable gases (eg paint or varnish mist) and explosive media must not be extracted.

**CAUTION** - This device is not suitable for extracting dust that is hazardous to health.

Industrial use, use in vocational training, in schools, etc is not permitted.

Polyethylene dust collection bags of 0.10 mm minimum thickness must be used. When using dust collection bags made of other materials, these must have the same strength against mechanical damage.

Any use other than the use specified above is not allowed. Any modification of the machine or use of spare parts not tested and approved by the manufacturer may cause unforeseeable damage!

### 3.2 General Safety Instructions

- When using this tool observe the following safety instructions, to exclude the risk of personal injury or material damage.
- Please also observe the special safety instructions in the respective chapters.
- Also follow the instructions of the woodworking machine the dust extractor is connected to.
- In case of a fault unplug the machine immediately. Never start the machine without the upper dustbag in place.
- Use the machine only to extract dust from woodworking machines.
- Ignition sources must not be extracted.
- Should the machine catch fire, unplug immediately or interrupt the power supply by turning the fuse/circuit breaker OFF. Extinguish the fire immediately with

water or foam. Do not operate the machine again.

- **WARNING** - Operating staff must be provided with appropriate instruction on how to use these machines.
- Always pay attention to the stability of the device. The ground must be firm, horizontal and even. Secure the device against rolling away, tilting and slipping.

 **General hazards!**

- Keep your work area tidy – a messy work area invites accidents.
- Be alert. Know what you are doing. Set out to work with reason. Do not operate the machine .
- Do not operate the machine if you lack concentration.
- Consider environmental conditions: keep work area well lighted.
- Do not operate the machine near inflammable liquids or gases.
- This machine may only be started and operated by persons familiar with the operation of electric tools who are aware of the risks involved by using such machine.
- This device can be used by children from 8 years of age and, in addition, by persons with impaired physical, sensory or mental ability or lack of experience or knowledge if they are supervised or have received induction training on the use of the device and un-


derstand the associated risks.

- Children may not play with the device.
- Cleaning and user maintenance may not be performed by children unless supervised.
- Keep bystanders, particularly children, out of the danger zone. Do not permit other persons to touch the machine or power cable while it is running.
- Do not overload tool – use it only within the performance range it was designed for (see "Technical Specifications").
- Turn power off if the tool is not used.

 **Danger! Risk of electric shock!**

- **WARNING** - This device is only intended for dry use.
- **CAUTION** - This device is designed for use indoors.
- **CAUTION** - This device may only be stored indoors.
- Do not expose machine to rain.  
Do not operate machine in damp or wet environment.
- Prevent body contact with earthed objects such as radiators, pipes, cooking stoves, refrigerators when operating this tool.
- Do not use the power cable for any purpose it is not intended for.
- Make sure the power cable is unplugged before servicing or troubleshooting.


- At low temperatures, the device may not be used outdoors.

 **Hazard generated by insufficient personal protection gear!**

- Wear hearing protection.
- Wear safety glasses.
- Wear dust mask.
- Wear suitable work clothes.
- When working outdoors wearing of non-slip shoes is recommended.

 **Risk of injury by inhaling wood dust!**


- Dust of certain timber species (e.g. beech, oak, ash) can cause cancer when inhaled.
- Make sure that as little as possible wood dust can escape into the environment:
  - remove wood dust deposits in the work area (do not blow away!);
  - fix any leakages on the dust collector;
  - ensure good ventilation.

 **Hazard generated by modification of the machine or the use of non-OEM parts not tested and approved by the manufacturer!**

- Assemble the machine in strict accordance with these instructions.
- Use only parts approved by the manufacturer. This applies particularly to safety

devices (see Spare Parts List for stock numbers).

- Do not change any parts.

 **Hazard generated by tool defects!**

- Keep machine and accessories in good repair. Observe the maintenance instructions.
- Before each use check the machine for possible damage: before operating the machine carefully check all safety devices, protective guards and slightly damaged parts for proper function. Check to see that all moving parts work properly and do not jam. All parts must be correctly installed and meet all conditions necessary for the proper operation of the machine.
- The machine must not be operated when the electric motor, ON/OFF switch or fan housing are damaged
- Never use the machine if the power supply cable is damaged. Risk of electric shock. Have a damaged power supply cable replaced by a qualified electrician immediately.
- Damaged protection devices or parts must be repaired or replaced by a qualified specialist. Have damaged switches replaced by a service centre. Do not operate machine if the switch can not be turned ON or OFF.

**3.3 Symbols on the Machine**



**Danger!**  
Disregard of the following warnings can lead to severe personal injury or material damage.



Read instructions.



Wear safety glasses and hearing protection.



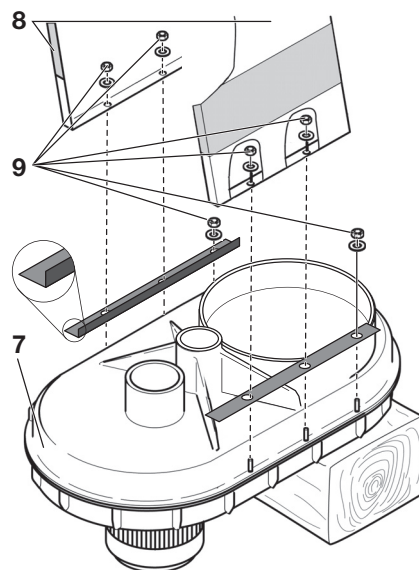
Wear dust mask.



Do not operate tool in damp or wet environment.

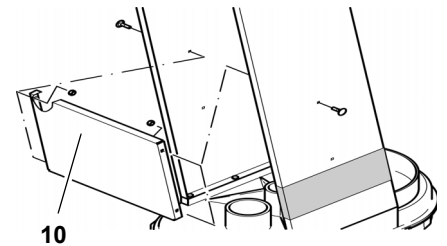
**4. Assembly**

1. Place fan housing (7), with the motor facing down, on a workbench or similar stable support and set it level with a block of wood or similar.

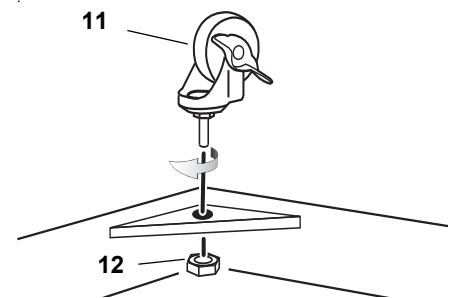


2. Loosen the 3 hexagon nuts and washers (9) shown on both sides of

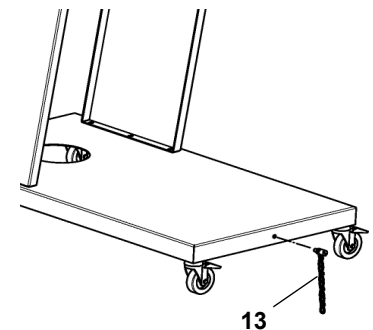
the ventilator housing. Mount the 2 plates as shown on the bolts. Guide the two side panels (8) over the bolts with the adhesive label pointing outwards. Fit all washers and re-tighten all nuts on the ventilator housing.



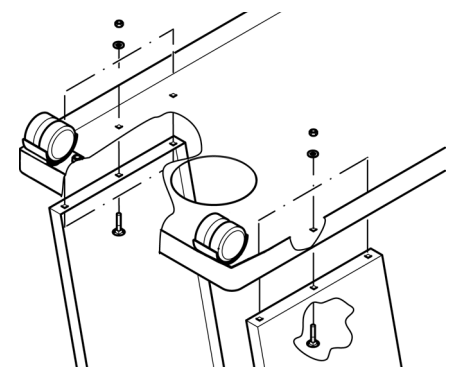
3. Install the cross plate (10) between the side panels using carriage bolts and hex flange nuts.



4. Screw one castor (11) to each corner of the bottom panel. Secure each castor with a hex nut (12).

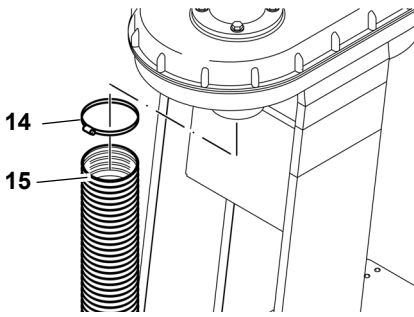


5. Screw the earthing chain (13) into the bottom panel. Secure the earthing chain with a hex flange nut.

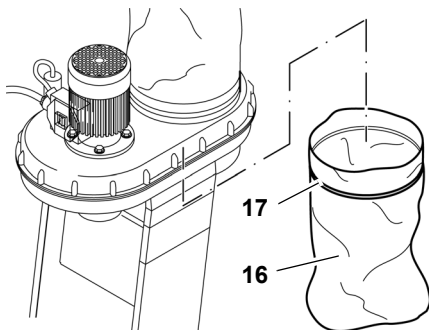


6. Place the thus prepared bottom panel on the side panels and secure

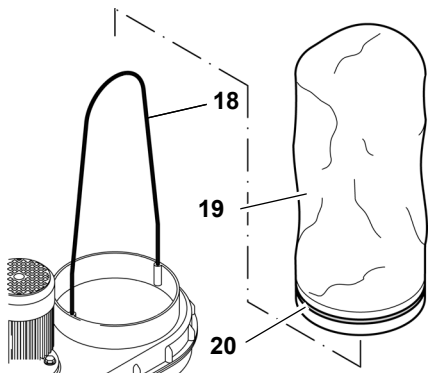
with carriage bolts and hex flange nuts. Then check all screws and nuts for tightness and place machine with the castors on the floor.



7. Put the hose clamp (14) on one end of the suction hose (15), then push the hose on the suction port below the motor. Tighten the hose clamp.



8. Clamp dust collection bag under the fan opening. Fit a sufficiently long and wide dust collection bag (16) (eg 600 × 900 mm) and tighten it with the tightening strap (17).



9. Insert the rod (18) into the two holes on the edge of the upper dust bag opening. Thread the clamp ring (20) through the guide sewn into the dust bag (19). Fit the dust bag over the dust bag opening. Tighten the clamp ring.

#### 4.1 Mains Connection



##### Danger! High voltage

- Operate this machine in dry surroundings only.
- Operate machine only on a power source meeting the following requirements (see also "Technical Specifications"):
  - outlets properly installed, earthed and tested.
  - outlet protected by a 10A fuse (time-lag);
  - mains voltage and system frequency conform to the voltage and frequency shown on the machine's name plate;
  - fuse protection by a residual current device (RCD) of 30 mA sensitivity.
- Use only oil-resistant extensions cords class H07 RN-F. Lead cross-section should be at least 1.0 mm<sup>2</sup>. Protect the power supply cable from heat, aggressive liquids and sharp edges.
- Run the power supply cables in a way that they do not interfere with your work and will not get damaged.
- Do not pull on power supply cable to unplug.

#### 4.2 Electrostatic Charging

The entire extraction system of the machine is constructed of electrically non-conductive components. If the suction hose is connected to electrically conductive parts (eg metal dust chutes or suction pipes), they need to be earthed to dissipate possible electrostatic energy.

On the machine no plastic parts may be replaced by metal parts. The suction hose in particular must not be retrofitted with a metal spiral. In this context small metal parts like screws and hose clamps are harmless.

Use only genuine spare parts. These spare parts are designed for the machine.

#### 4.3 Overload Protection

To protect the electric motor against overloads it has a motor protection built

in. If the motor is overheated or overloaded the machine will shut off.

In this case the motor can be restarted after a few minutes of cooling down.



##### Note:

*If the machine is shut OFF repeatedly by a tripped motor protection (2–3 times) within a short time, the machine needs to be checked by a qualified electrician, before attempting to turn it ON again.*

### 5. Operation

1. Place the dust extractor next to the woodworking machine in a way that it will not interfere with your work.
2. Connect the suction hose to the dust extraction port of the woodworking machine.
3. Place the power supply cable on the floor and plug it into an outlet.
4. Turn the motor ON and wait a few seconds, until the fan has reached full speed.
  - If the upper dust bag does not fill with air after a few seconds, pull it up.
5. Only now start the woodworking machine and commence with your work.
6. Let the dust extractor post-run for at least 10 seconds after the woodworking machine has been turned OFF.



##### Note:

*For extended daily use of your woodworking machine an automatic power relay for the dust extractor would be of advantage. This relay turns the dust extractor time-delayed ON and OFF once the woodworking machine is turned ON or OFF respectively.*

This automatic power relay is available from the manufacturer in two versions (see chapter "Available Accessories").

### 6. Care and Maintenance



##### Danger!

Prior to all servicing:

1. turn the machine OFF,

2. Pull out the mains plug and store it in such a way that the person using the device can see that the plug is removed.
3. wait until the machine has come to a complete stop.

- 
- Repair and maintenance work other than described in this section should only be carried out by qualified specialists.
  - Replace defective parts, especially of safety devices, with genuine replacement parts only. Parts not tested and approved by the manufacturer can cause unforeseen damage.
  - Check to see that all safety devices are operational again after each service.

## 6.1 Maintenance

### Before switching ON

Visual check to see if power supply cable and power cable plug are damaged; have faulty parts replaced by a qualified electrician.

The machine requires no maintenance. However, before switching ON perform the following checks.

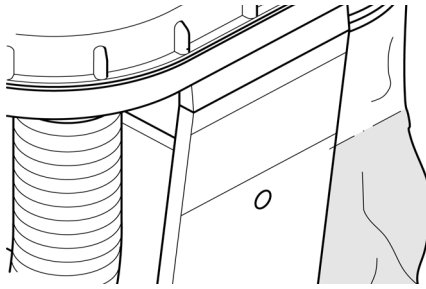
- Check all screw connections! Retighten loose connections.
- Is the switch housing, motor or fan housing damaged? Have these parts immediately replaced by a qualified electrician.
- Is the upper dust bag or suction hose damaged? Replace the damaged part(s).

## 6.2 Cleaning

- **In event of reduced suction power:**
  - Loosen the suction clamp and pull off the suction hose from the union beneath the electric motor.
  - Clean the grille.
  - Reattach the suction hose and hose clamp and tighten the hose clamp.
- Wipe work stand and fan housing with a moist cloth.
- Motor and ON/OFF switch may only be cleaned with a dry cloth.
- The upper dust bag should only be beaten (make sure dust collection

bag is installed on the underside of the machine).

- Change the chip collection bag when it is about 4/5 full.



## 6.3 Storage

- For storing the dust extractor, place the suction hose over the motor and insert the end in the opening in the base plate.



**Danger!**

- Store the machine in such way that it can not be started by unauthorised persons.
- Make sure that nobody can get hurt by the stored machine.



**Caution!**

- Do not store machine unprotected outdoors or in damp environment.

## 6.4 Repairs



**Danger!**

Repairs to electric tools may only be carried out by a qualified electrician!

If the mains connection cable of this device is damaged, it must be replaced by the manufacturer or the Customer Service department of the manufacturer or a similarly qualified person to prevent endangering personnel and property.

Contact your local Metabo representative if you have Metabo power tools requiring repairs. See [www.metabo.com](http://www.metabo.com) for addresses.

You can download a list of spare parts from [www.metabo.com](http://www.metabo.com).

## 7. Available Accessories

For special tasks the following accessories are available from specialist retailers:

- A** Automatic power relay  
order number: 0913014626  
ALV 1, single-phase 230 VAC, for time-delayed switch-on or switch-off of the dust extractor after the woodworking machine has been switched on or off.
- B** Automatic power relay  
order number: 0913014634  
ALV 10, three-phase 400 VAC, single-phase 230 VAC
- C** Filter cartridge  
order number: 0920016529  
filters out ultrafine dust particles, effective filter surface 52 m<sup>2</sup>
- D** Chip collection bag  
order number: 0913017617

## 8. Disposal



Power tools should not be disposed of with household waste. According to European directive 2002/96/EC on waste electrical and electronic equipment used power

tools must be collected separately and taken to an appropriate recycling facility.

Contact your local council for the disposal options for your old tool.

The tool packaging is 100% recyclable.

## 9. Technical Specifications

<b>Voltage</b>	V	220 - 240 (1~ 50 Hz)
<b>Motor capacity</b>	kW	0,55
<b>Rated volume flow</b>	m <sup>3</sup> /h	600
<b>Associated vacuum</b>	Pa	740
<b>Max. volume flow</b>	m <sup>3</sup> /h	900
<b>Max. vacuum</b>	Pa	1600
<b>Suction hose length</b>	mm	2500
<b>Suction hose diameter</b>	mm	100
<b>Suction hose connection</b>	mm	100
<b>Dust bag volume</b>	dm <sup>3</sup>	65
<b>Weight (with empty dust collection bag)</b>	kg	22
<b>Noise emission according to EN 60335-2-69</b> Sound power level $L_{WA}$ Sound pressure level $L_{PA}$ Measurement uncertainty K	dB (A) dB (A) dB (A)	98,25 85,5 3