

MT 18 LTX BL Q SL



de Originalbetriebsanleitung 4
en Original instructions 9
fr Instructions d'utilisation originales 13
nl Originele gebruikershandleiding 18
it Istruzioni per l'uso originali 23
es Manual original 28
pt Manual de instruções original 33
sv Originalbruksanvisning 38

fi Alkuperäinen käyttöohje 42
no Original bruksanvisning 46
da Original brugsanvisning 50
pl Originalna instrukcja obsługi 54
el Πρωτότυπο οδηγιών λειτουργίας 59
hu Eredeti használati utasítás 64
ru Оригинальное руководство по эксплуатации 69
uk Оригінальна інструкція з експлуатації 75

Abb. 1

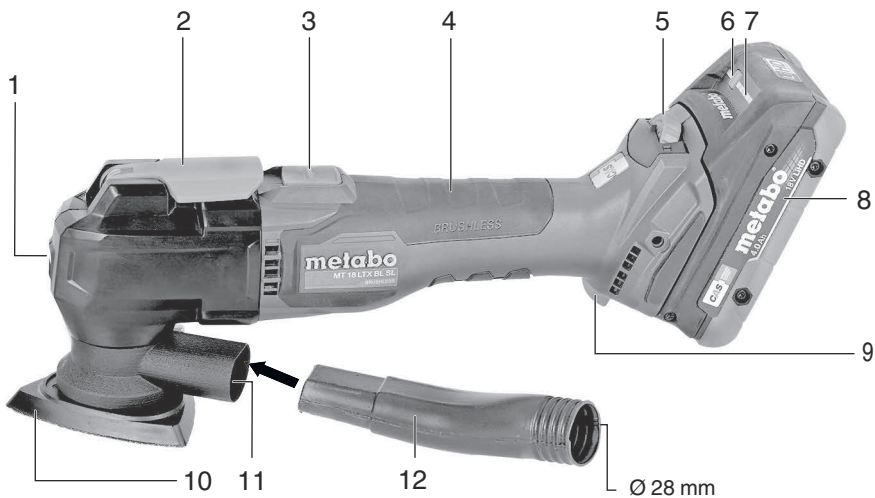


Abb. 2

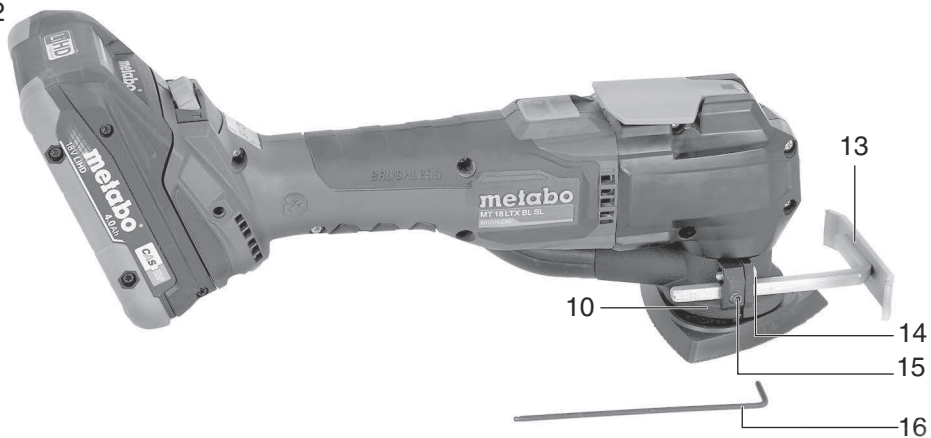
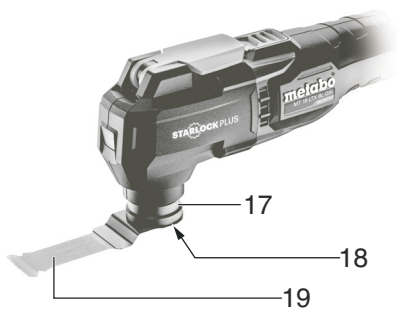



Abb. 3



Abb. 4



		MT 18 LTX BL Q SL *1) Serial Number: 13088..
U	V	18
s₀	min ⁻¹ (opm)	8000 - 20000
o	°	1,6
m	g (lbs)	1680 (3,7)
a_{h,DS}/K_{h,DS}	m/s ²	3,4 / 1,5
a_{h,ST}/K_{h,ST}	m/s ²	19,9 / 1,5
a_{h,SS}/K_{h,SS}	m/s ²	5,5 / 1,5
L_{pA},K_{pA}	dB(A)	81 / 3
L_{WA},K_{WA}	dB(A)	92 / 3

CE *2) 2014/30/EU, 2006/42/EC, 2011/65/EU
*3) EN 62841-1:2015, EN 62841-2-4:2014, EN IEC 63000:2018

ppa. *B.F.*

2021-07-05, Bernd Fleischmann
Direktor Produktentstehung & Qualität (Vice President Product Engineering & Quality)
*4) Metabowerke GmbH - Metabo-Allee 1 - 72622 Nuertingen, Germany

Original instructions

1. Declaration of Conformity

We declare and accept sole responsibility for ensuring: this cordless multi-tool, identified by its type and serial number *1), conforms to all relevant provisions of the directives *2) and standards *3). Technical documents for *4) - see page 3.

For UK only:

UK We as manufacturer and authorized person to **CA** compile the technical file, see *4) on page 3, hereby declare under sole responsibility that these cordless multi-tools, identified by type and serial number *1) on page 3, fulfill all relevant provisions of following UK Regulations S.I. 2016/1091, S.I. 2008/1597, S.I. 2012/3032 and Designated Standards EN 62841-1:2015, EN 62841-2-4:2014, EN 62841-2-11:2016, EN IEC 63000:2018.

2. Specified Use

The machine is suited for sawing, cutting and dry grinding of small areas made from wood, plastics, metals, sheet steel, tiles, joints and other grouted and painted areas as well as for scraping adhesive remains and paint residues and similar without using water.

The user bears sole responsibility for any damage caused by inappropriate use.

Generally accepted accident prevention regulations and the enclosed safety information must be observed.

3. General Safety Instructions



For your own protection and for the protection of your electrical tool, pay attention to all parts of the text that are marked with this symbol!



WARNING – Reading the operating instructions will reduce the risk of injury.



WARNING – Read all safety warnings, instructions, illustrations and specifications provided with this power tool. Failure to follow all instructions listed below may result in electric shock, fire and/or serious injury.

Save all warnings and instructions for future reference. Pass on your electrical tool only together with these documents.

4. Special Safety Instructions

Hold power tool by insulated gripping surfaces, when performing an operation where the cutting accessory may contact hidden wiring. A cutting accessory contacting a "live" wire may make exposed metal parts of the power tool "live" and could give the operator an electric shock.

Use clamps or another practical way to secure and support the workpiece to a stable platform.

Holding the workpiece by hand or against your body leaves it unstable and may lead to loss of control.

Ensure that the place where you wish to work is free of **power cables, gas lines or water pipes** (e.g. check using a metal detector).

Therefore always hold the machine with both hands using the handle provided, stand securely and concentrate.

Keep hands well away from the sawing area and the saw blade. Do not reach underneath the workpiece.

Remove chips and similar material only with the machine at a standstill.

Danger of injury due to the sharp accessories. Wear protective gloves.

After stopping work, the tool may still be hot. Wear protective gloves.

Danger of crushing when changing the tool. Wear protective gloves.

Do not keep the ventilation slots closed.

Do not process surfaces that are impregnated with liquids containing solvents! Do not process wet coatings! The surface heats up during processing and toxic vapours may develop.



WARNING – Always wear protective goggles.

Wear ear protectors when working for long periods of time. High noise levels over a prolonged period of time may affect your hearing.

LED lights (1): Do not observe the LED radiation directly with optical instruments.

4.1 Special safety instructions for cordless machines:

Remove the battery pack from the machine before making any adjustments, changing tools, maintaining or cleaning



CAUTION Do not stare at operating lamp.



Protect battery packs from water and moisture!



Do not expose battery packs to fire!



Do not use faulty or deformed battery packs!

Do not open battery packs!

Do not touch contacts or short-circuit battery packs!



A slightly acidic, flammable fluid may leak from defective Li-ion battery packs!



If battery fluid leaks out and comes into contact with your skin, rinse immediately with plenty of water. If battery fluid leaks out and comes into contact with your eyes, wash them with clean water and seek medical attention immediately!


If the machine is defective, remove the battery pack from the machine.

Transport of li-ion battery packs:

The shipping of li-ion battery pack is subject to laws related to the carriage of hazardous goods (UN 3480 and UN 3481). Inform yourself of the currently valid specifications when shipping li-ion battery packs. If necessary, consult your freight forwarder. Certified packaging is available from Metabo.

Only send the battery pack if the housing is intact and no fluid is leaking. Remove the battery pack from the machine for sending. Prevent the contacts from short-circuiting (e.g. by protecting them with adhesive tape).

Reducing dust exposure:

 **WARNING** - Some dust created by power sanding, sawing, grinding, drilling, and other construction activities contains chemicals known to cause cancer, birth defects or other reproductive harm. Some examples of these chemicals are:
 - Lead from lead-based paints,
 - Crystalline silica from bricks and cement and other masonry products, and
 - Arsenic and chromium from chemically treated lumber.

Your risk from these exposures varies, depending on how often you do this type of work. To reduce your exposure to these chemicals: work in a well ventilated area, and work with approved safety equipment, such as those dust masks that are specially designed to filter out microscopic particles.

This also applies to dust from other materials such as some timber types (like oak or beech dust), metals, asbestos. Other known diseases are e.g. allergic reactions, respiratory diseases. Do not let dust enter the body.

Observe the relevant guidelines and national regulations for your material, staff, application and place of application (e.g. occupational health and safety regulations, disposal).

Collect the particles generated at the source, avoid deposits in the surrounding area.

Use suitable accessories for special work. In this way, fewer particles enter the environment in an uncontrolled manner.

Use a suitable extraction unit.

Reduce dust exposure with the following measures:

- do not direct the escaping particles and the exhaust air stream at yourself or nearby persons or on dust deposits,
- use an extraction unit and/or air purifiers,
- ensure good ventilation of the workplace and keep clean using a vacuum cleaner. Sweeping or blowing stirs up dust.
- Vacuum or wash the protective clothing. Do not blow, beat or brush.

5. Overview

See page 2.

- 1 LED lights
- 2 Release lever
- 3 Slide switch
- 4 Handle
- 5 Setting wheel for speed adjustment
- 6 Button of capacity display*
- 7 Capacity and signal display*
- 8 Battery pack *
- 9 Battery pack release button
- 10 Accessory*
- 11 Dust extraction*
- 12 Extraction adapter*
- 13 Depth guide*
- 14 Allen screw 1
- 15 Allen screw 2
- 16 Screwdriver for Allen screw*
- 17 Housing flange
- 18 Tool holder
- 19 Saw blade
- 20 Spring pin
- 21 Sanding plate

*depends on features / model

6. Commissioning

Battery pack

Charge the battery pack (8) before use.

If performance diminishes, recharge the battery pack.

Instructions on charging the battery pack can be found in the operating instructions of the Metabo charger.

Li-Ion battery packs "Li-Power" have a capacity and signal indicator (7):

- Press the button (6), the LEDs indicate the charge level.
- If one LED is flashing, the battery pack is almost flat and must be recharged.

Removing and inserting the battery pack

Removing the battery pack

Press the battery pack release (9) button and remove the battery pack (8).

To fit

Slide in the battery back (8) until it engages .

7. Use


7.1 Attach dust extraction (only when working with triangular sanding plate)


See fig. 1 and 2, page 2


- Remove the accessory.

- Put the dust extraction (11) on the housing flange (17) and fix with screwdriver (16) and screw (15) in the desired position:
- Connect a suitable extraction device with its suction hose to the inserted suction adapter (12).

7.2 Attaching the accessory

 Prior to any conversion work: remove battery pack from machine.


 Danger of injury due to the sharp accessories. After stopping work, the tool may still be hot. Danger of crushing when changing the tool. Wear protective gloves.

 Use only as

STARLOCK

STARLOCK PLUS

accessories.

 Use only sharp, undamaged saw blades. Do not use accessories that are cracked or that have changed their shape. Use an accessory that is suitable for the material being sawn.

See fig. 1, 3 and 4, page 2.

1. Swivel the clamping lever (2) forwards by 180°.
2. Turn the spring pin (20) slightly in anti-clockwise direction and remove.
3. Put the accessory in the desired position on the tool holder (18) or remove from the tool holder (18). Ensure that it engages in the cams of the tool holder (18).
4. Insert the spring pin (20) and turn by 90° in clockwise direction.
5. **Caution!** *The clamping lever (2) may spring back and can crush your fingers. Handle carefully. Wear protective gloves.* Close the clamping lever (2) until the stop and engage. (The release lever has to be in contact with the housing).
6. Check the accessories for firm hold.

7.3 Installation of sanding disc


Simple attachment and removal thanks to the hook and loop fastening. Simply press on the sanding disc so that the holes of sanding disc (21) match.


7.4 Attaching the depth guide


See fig. 2, page 2

Undo the screw (14) on the dust extraction (11). Set depth guide (13) to the desired depth. Tighten the screw (14) again.

7.5 Switching On and Off

 Switch on first, then guide the accessory towards the workpiece.

 Avoid switching on the machine accidentally: always switch it off when the battery pack is removed from the machine.

 Avoid the machine swirling up or taking in dust and chips. After switching off the machine,

only place it down when the motor has come to a standstill.

Switching on: Push the slide switch (3) forward (continuous operation).

Switching off: Push the slide switch (3) backwards.

7.6 Setting the oscillating frequency

See fig. 1, page 2

Set the oscillating frequency on the adjustment wheel (5). This can also be done during operation.

The best way to determine the ideal setting is through a practical trial.

For sanding plate Ø 150 maximum speed 8.

7.7 Working Directions

Sandpaper grinding: The ideal setting is best determined by a practical test. Apply moderate pressure on the machine and move it to and fro across the surface.

Cutting, sawing: Set high oscillation frequency. Press down the machine evenly. Avoid jamming! For plunge cuts: A slight tilting movement speeds up the work progress.

Scraping: Set medium to high oscillation frequency.

Hold the accessory at a flat angle to the workpiece.

See fig. 4, page 2:


To turn the accessory (19), loosen the clamping lever (2), turn the accessory in the tool holder to the desired position and close the clamping lever again.


8. Cleaning, Maintenance

Clean the machine regularly. This includes vacuum cleaning the ventilation louvres on the motor.

9. Troubleshooting

9.1 The machine's multifunctional monitoring system

 If the machine switches off automatically, the machine electronics have activated automatic protection mode.

 In spite of this protective function, overloading is still possible with certain applications and can result in damage to the machine.

Causes and remedies:

1. **Battery pack almost flat** (the electronics prevent the battery pack from discharging totally and avoid irreparable damage).
If one LED (7) is flashing, the battery pack is almost flat. If necessary, press the button (6) and check the LEDs (7) to see the charge level. If the battery pack is almost flat, it must be recharged!
2. Long continuous overloading of the machine will activate the **temperature cut-out**.
Leave the machine or battery pack to cool.

Note: If the battery pack feels very warm, the pack will cool more quickly in an "AIR COOLED" charger.

Note: The machine will cool more quickly if you operate it at idling speed.

- The machine does not run and the LED light (1) flashes.** The restart protection is active. The machine will not start if the battery pack is inserted while the machine is on. Switch the machine off and on again.

10. Accessories

Use only original Metabo or CAS (Cordless Alliance System) battery packs and accessories.

Use only accessories that fulfil the requirements and specifications listed in these operating instructions.

Battery packs with different capacities:

Best.-Nr.: 625596000 2,0 Ah (LiHD)
 Best.-Nr.: 625367000 4,0 Ah (LiHD)
 etc.

Chargers: ASC 55, ASC 145, etc.

Best.-Nr.: 627044000 ASC 55
 Best.-Nr.: 627378000 ASC 145
 etc.

For a complete range of accessories, see www.metabo.com or the main catalogue.

11. Repairs

 Repairs to electrical tools must ONLY be carried out by qualified electricians!


Contact your local Metabo representative if you have Metabo power tools requiring repairs. See www.metabo.com for addresses.

You can download a list of spare parts from www.metabo.com.

12. Environmental Protection

Observe national regulations on environmentally compatible disposal and on the recycling of disused machines, packaging and accessories.

Packaging materials must be disposed of according to their labelling in accordance with municipal guidelines. Further information can be found at www.metabo.com in the "Service" section.

 Only for EU countries: Never dispose of power tools in your household waste! Used power tools must be collected separately and handed in for environmentally compatible recycling in accordance with European Directive 2012/19/EU on waste electrical and electronic equipment and its implementation in national legal systems.

Battery packs may not be disposed of with regular waste. Return faulty or used battery packs to your Metabo dealer!

Do not allow battery packs to come into contact with water!

Before disposal, discharge the battery pack in the power tool. Prevent the contacts from short-circuiting (e. g. by protecting them with adhesive tape).

13. Technical Specifications

Explanatory notes on the specifications on page 3. Changes due to technological progress reserved.

U = Voltage of battery pack
 s_0 = Oscillating frequency at idle speed
 α = Oscillation angle left / right
 m = Weight with smallest battery pack

Measured values determined in conformity with EN 62841.

Permitted ambient temperature during operation: -20 °C (-4°F) to 50 °C (120°F) (limited performance with temperatures below 0 °C (32°F)). Permitted ambient temperature for storage: 0 °C (32°F) to 30 °C (86°F).

--- Direct current

The technical specifications quoted are subject to tolerances (in compliance with the relevant valid standards).

Emission values

These values make it possible to assess the emissions from the power tool and to compare different power tools. The actual load may be higher or lower depending on the operating conditions, the condition of the power tool or the accessories. Please allow for breaks and periods when the load is lower for assessment purposes. Arrange protective measures for the user e.g. organisational measures based on the adjusted estimates.


Vibration total value (vector sum of three directions) determined in accordance with EN 62841:

$a_{h, DS}$ = Vibration emission value (surface grinding)
 $a_{h, S}$ = Vibration emission value (scraping)
 $a_{h, ST}$ = Vibration emission value (sawing with plunge cutting saw blade)
 $a_{h, SS}$ = Vibration emission value (sawing with segment saw blade)
 $K_{h, ...}$ = Uncertainty (vibration)

Typical A-effective perceived sound levels:

L_{pA} = Sound-pressure level
 L_{WA} = Acoustic power level
 K_{pA}, K_{WA} = Uncertainty

During operation the noise level can exceed 80 dB(A).

 **Wear ear protectors!**