

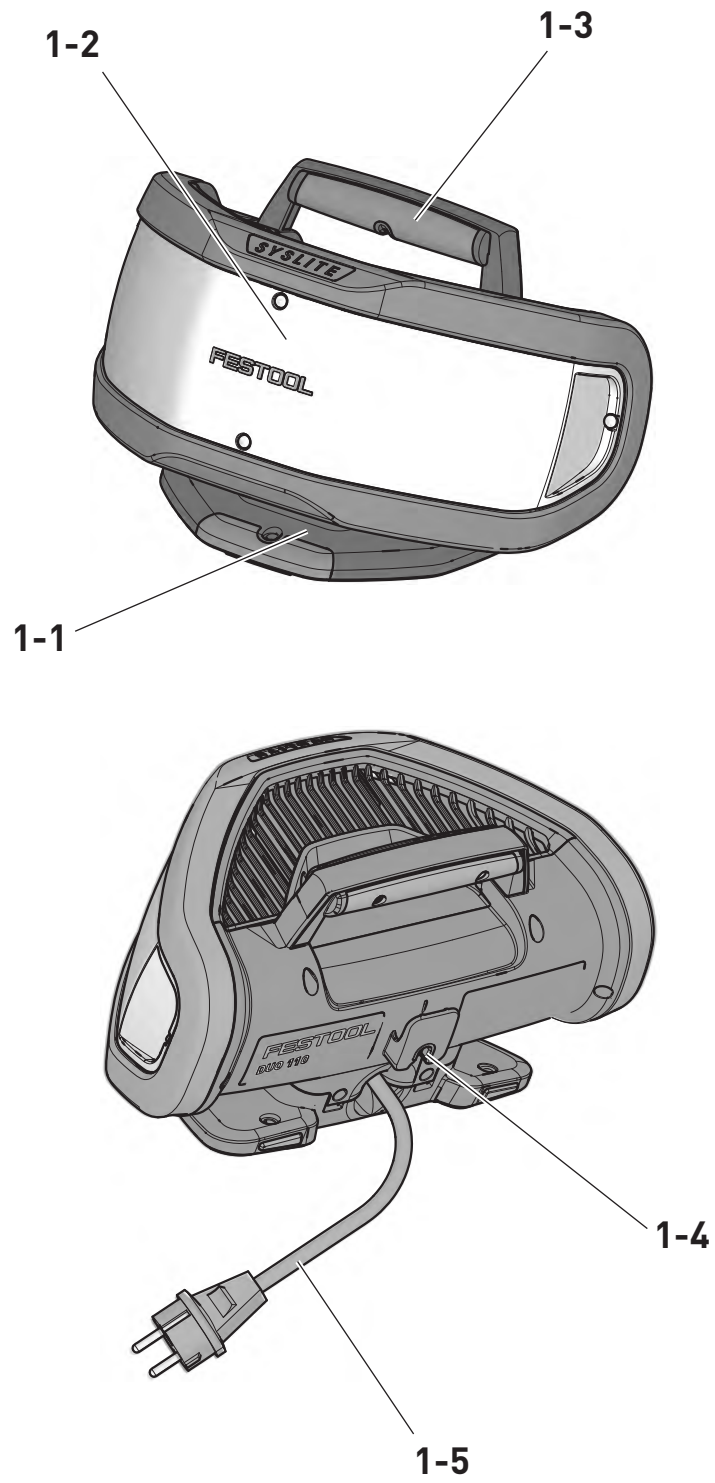
de	Originalbetriebsanleitung - Baustrahler	8
en	Original operating manual - Flood light	11
fr	Notice d'utilisation d'origine - Projecteur de chantier	14
es	Manual de instrucciones original - Proyector	17
it	Istruzioni per l'uso originali - Faro da cantiere	20
nl	Originele gebruiksaanwijzing - Werklamp	23
sv	Originalbruksanvisning - Byggstrålkastare	26
fi	Alkuperäiset käyttöohjeet - Rakennusvalaisin	29
da	Original brugsanvisning - Arbejdslampe	32
nb	Originalbruksanvisning - Arbejdslampe	35
pt	Manual de instruções original - Luz de trabalho	38
ru	Оригинал Руководства по эксплуатации - Прожектор для строительных площадок	41
cs	Originál návodu k obsluze - Stavební světlo	45
pl	Oryginalna instrukcja eksploatacji - Lampa robocza	48

## SYSLITE DUO

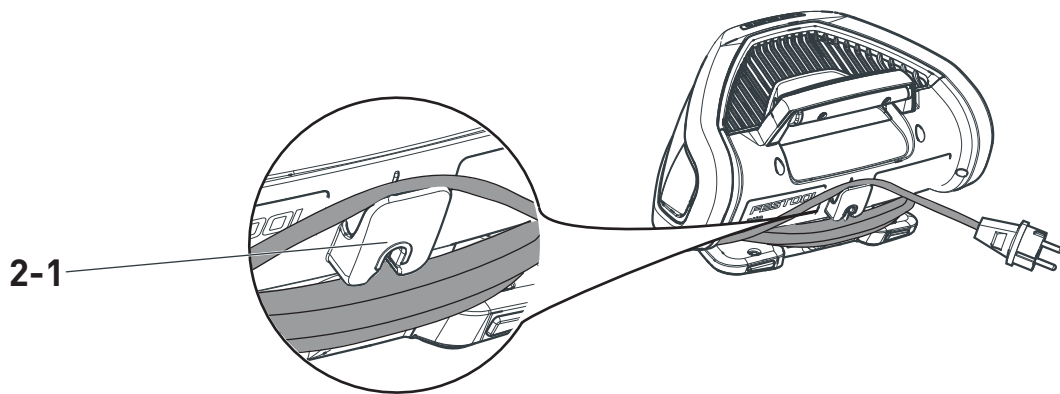




1

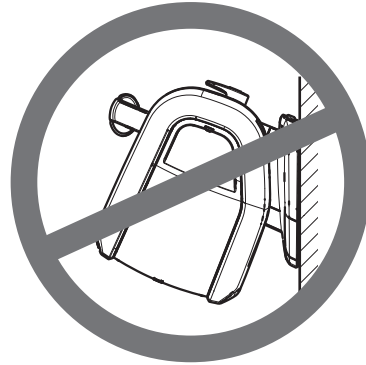
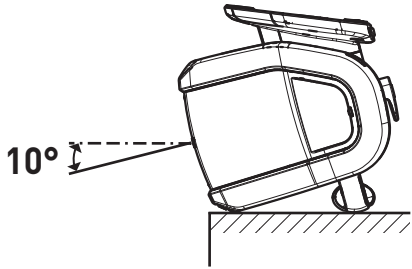
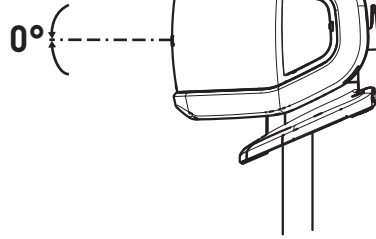
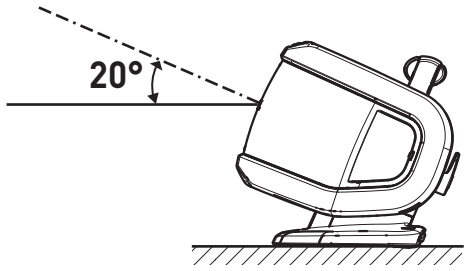


2

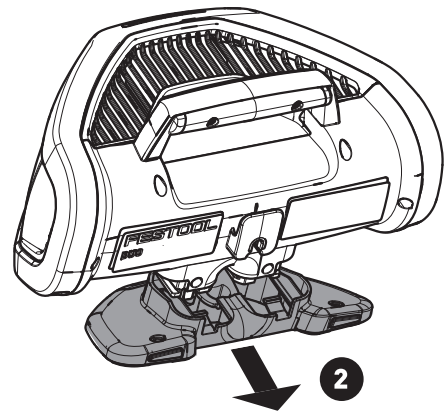
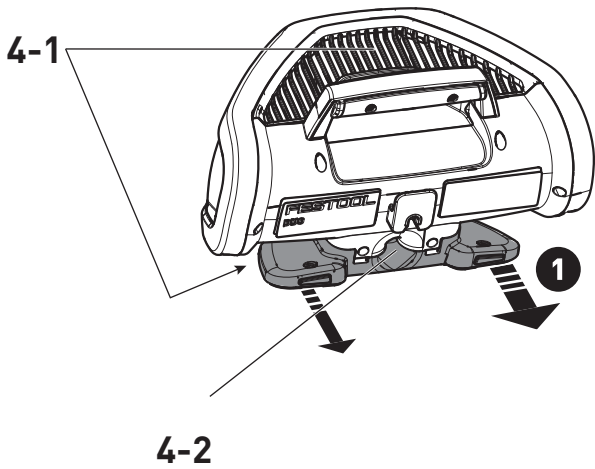


3

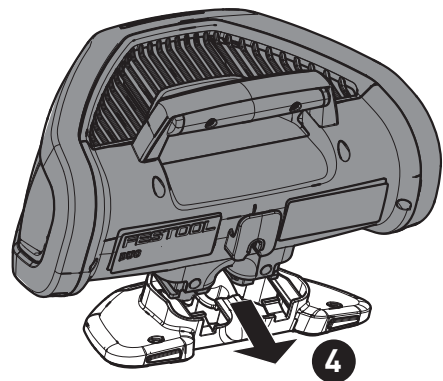
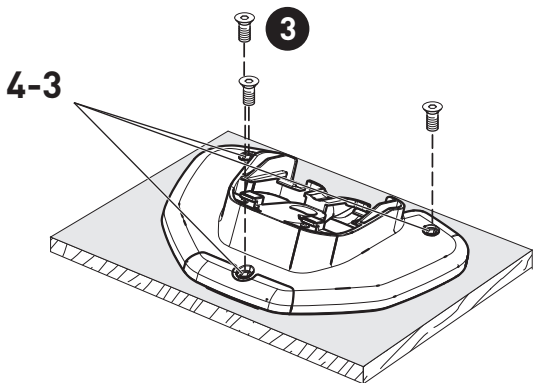
7-7/8"



4



7-7/8"

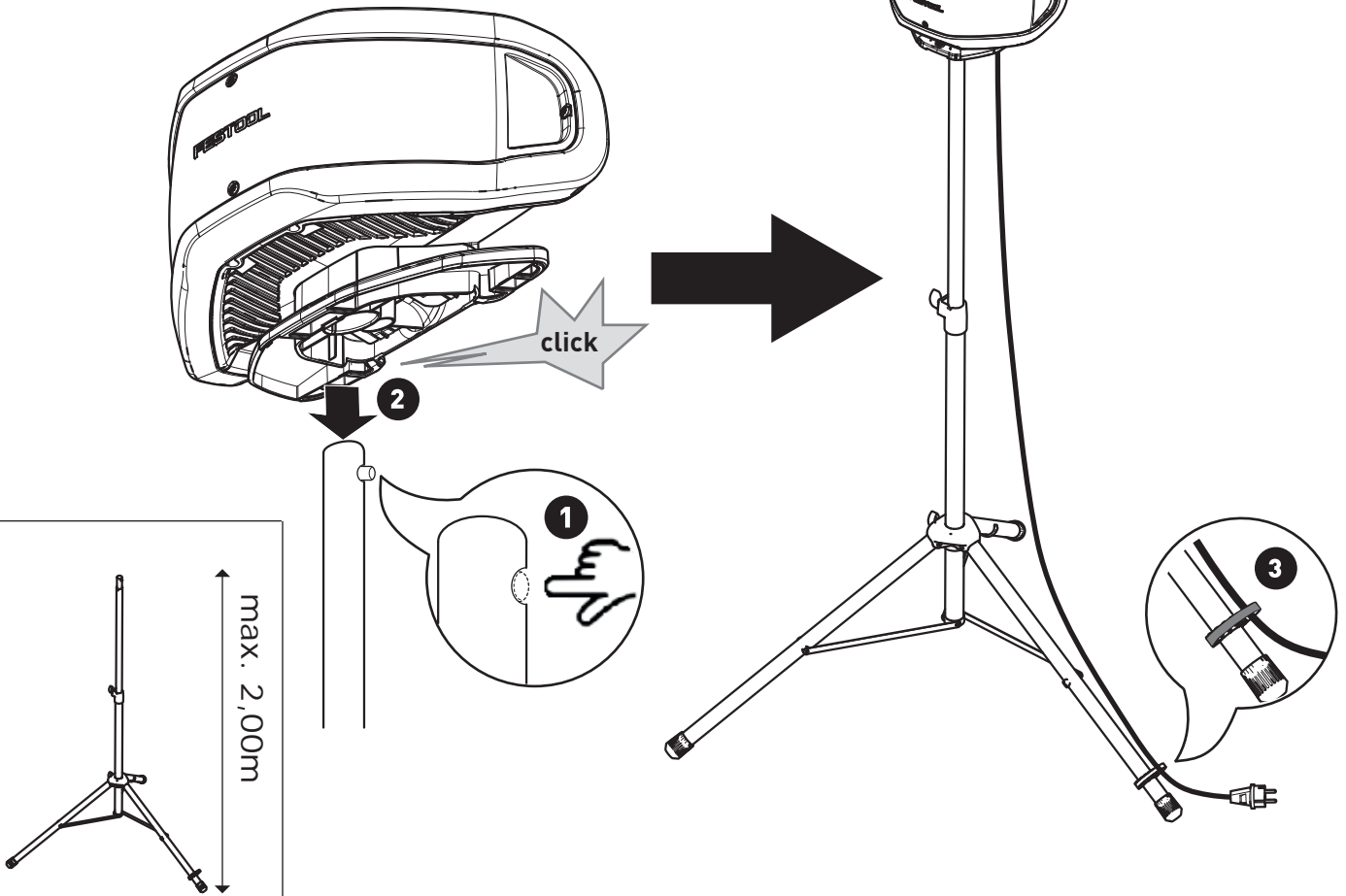


5



ST DUO 200

0,2m

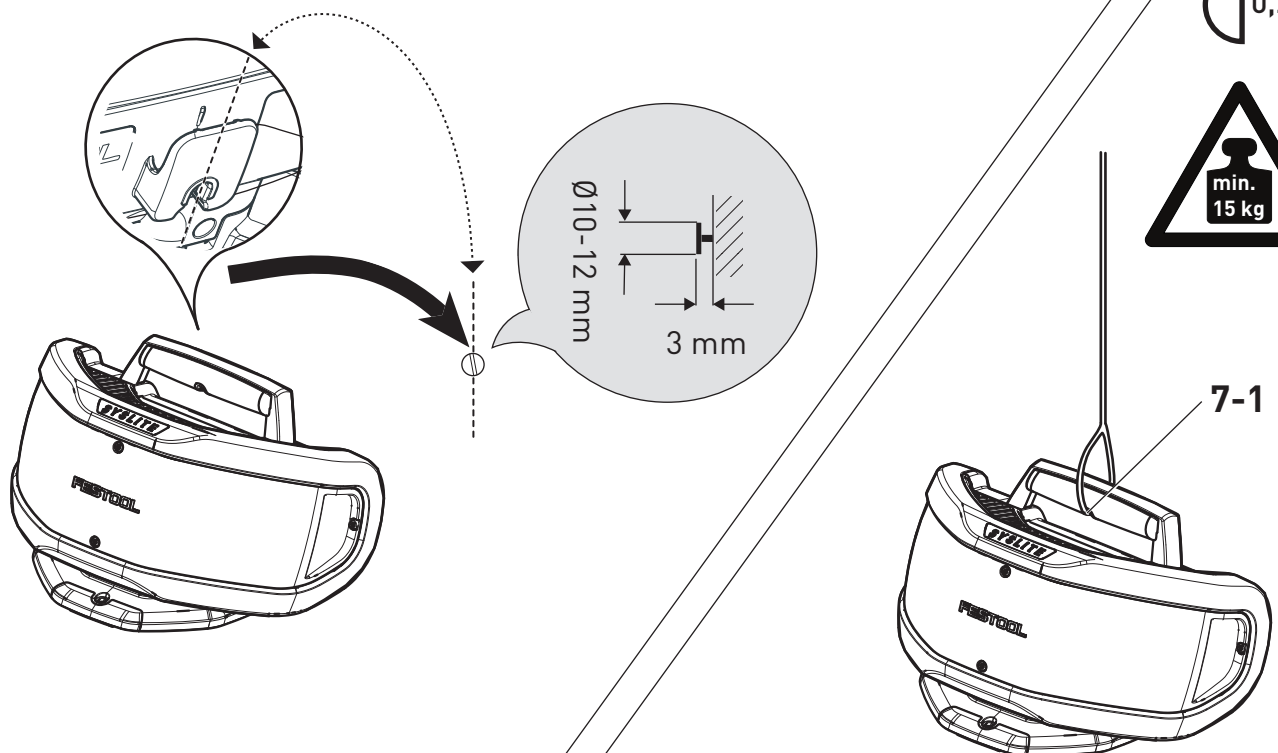


6

0,2m

7

0,2m



Baustrahler Flood lighth Projecteur de chantier	Seriennummer * Serial number * N° de série * (T-Nr.)
SYSLITE DUO	10012847, 10017550, 10017551

**de EG-Konformitätserklärung.** Wir erklären in alleiniger Verantwortung, dass dieses Produkt allen einschlägigen Bestimmungen der folgenden Richtlinien einschließlich ihrer Änderungen entspricht und mit den folgenden Normen übereinstimmt:

**en EC-Declaration of Conformity.** We declare under our sole responsibility that this product is in conformity with all relevant provisions of the following directives including their amendments and complies with the following standards:

**fr CE-Déclaration de conformité communautaire.** Nous déclarons sous notre propre responsabilité que ce produit est conforme aux normes ou documents de normalisation suivants:

**es CE-Declaración de conformidad.** Declaramos bajo nuestra exclusiva responsabilidad que este producto corresponde a las siguientes normas o documentos normalizados:

**it CE-Dichiarazione di conformità.** Dichiariamo sotto la nostra esclusiva responsabilità che il presente prodotto è conforme alle norme e ai documenti normativi seguenti:

**nl EG-conformiteitsverklaring.** Wij verklaren op eigen verantwoordelijkheid dat dit produkt voldoet aan de volgende normen of normatieve documenten:

**sv EG-konformitetsförklaring.** Vi förklarar i eget ansvar, att denna produkt stämmer överens med följande normer och normativa dokument:

**fi EY-standardinmukaisuusvakuutus.** Vakuutamme yksinvastuullisina, että tuote on seuraavien standardien ja normatiivisten ohjeiden mukainen:

**da EF-konformitetserklæring** Vi erklærer at have alene ansvaret for, at dette produkt er i overensstemmelse med de følgende normer eller normative dokumenter:

**nb CE-Konformitetserklæring** Vi erklærer på eget ansvar at dette produktet er i overensstemmelse med følgende normer eller normative dokumenter:

**pt CE-Declaração de conformidade:** Declaramos, sob a nossa exclusiva responsabilidade, que este produto corresponde às normas ou aos documentos normativos citados a seguir:

**ru Декларация соответствия ЕС:** Мы заявляем с исключительной ответственностью, что данный продукт соответствует следующим нормам или нормативным документам:

**cs ES prohlášení o shodě:** Prohlašujeme s veškerou odpovědností, že tento výrobek je ve shodě s následujícími normami nebo normativními dokumenty:

**pl Deklaracja o zgodności z normami UE:** Niniejszym oświadczamy na własną odpowiedzialność, że produkt ten spełnia następujące normy lub dokumenty normatywne:

2014/30/EU

2011/65/EU

2014/35/EU

2009/125/EG

EN 55015:2013

EN 60598-1:2014

EN 60598-2-4:1997,

EN 60598-2-24:2013,

EN 61000-3-2:2014

EN 61000-3-3:2013

EN 61547:2009

EN 62031:2008 + A1:2013 + A2:2015

EN 62471:2008

EN 62493:2010



**Festool GmbH**

Wertstr. 20, D-73240 Wendlingen  
GERMANY

Wendlingen, 2016-04-29

*ppa W. Zondler*

W. Zondler

Manager R & D, technical documentation

\* im definierten Seriennummer-Bereich (S-Nr.) von 40000000 - 49999999  
in the specified serial number range (S-Nr.) from 40000000 - 49999999  
dans la plage de numéro de série (S-Nr.) de 40000000 - 49999999

## *Declaration of Conformity*

We as the manufacturer **Festool GmbH, Wertstraße 20, 73240 Wendlingen, Germany** declare under our sole responsibility that the product(s):

Designation: **Portable work light with LED's**  
Designation of Type(s): **SYSLITE DUO**  
Serial number(s) <sup>1)</sup>: **10017550**

fulfills all the relevant provisions of the following UK Regulations:

- S.I. 2016/1101 Electrical Equipment (Safety) Regulations 2016
- S.I. 2016/1091 Electromagnetic Compatibility Regulations 2016
- S.I. 2010/2617 The Ecodesign for Energy-Related Products Regulations 2010
- S.I. 2012/3032 Restriction of the Use of Certain Hazardous Substances in Electrical and Electronic Equipment Regulations 2012

and are manufactured in accordance with the following designated standards:

- BS EN 60598-1:2015+A1:2018
- BS EN 60598-2-4:2018
- BS EN 60598-2-24:2013
- BS EN IEC 55015:2019 + A11:2020
- BS EN IEC 61000-3-2:2019
- BS EN 61000-3-3:2013
- BS EN 61547:2009
- BS EN IEC 62031:2020
- BS EN 62471:2008
- BS EN 62493:2015
- BS EN IEC 63000:2018

<sup>1)</sup> in the specified serial number range (S-Nr.) from 400000000 – 499999999



Place and date of declaration: Wendlingen, 15.04.2021

Signed on behalf of and in name of Festool GmbH

Markus Stark  
Head of Productdevelopment

Ralf Brandt  
Head of Productconformity

## Contents

1	Symbols.....	11
2	Safety warnings.....	11
3	Intended use.....	12
4	Technical data.....	12
5	Machine features.....	12
6	Commissioning.....	12
7	Setup.....	12
8	Affixing to surfaces [4].....	13
9	Set up with tripod [5].....	13
10	Suspend.....	13
11	Service and maintenance.....	13
12	Environment.....	13
13	General information.....	13

## 1 Symbols



Warning of general danger



Warning of electric shock



Read the operating instructions and safety instructions.



**CAUTION!** Do not look directly into the light beam!



Minimum distance to illuminated surfaces or flammable materials



Device suitable for "harsh operating conditions" in accordance DIN EN 60598.



Minimum load capacity of the suspension rope.



Do not dispose of it with domestic waste.



Handling instruction



CE marking: Confirms the conformity of the power tool with the European Community directives.



UKCA marking: The United Kingdom Conformity Assessed symbol is a marking for products being placed on the market in the United Kingdom. It is a manufacturers indication that the product is in conformance with the relevant regulations in the UK.

## 2 Safety warnings



**WARNING! Read and observe all information and safety instructions.** Failure to observe the information and safety instructions may lead to electric shocks, fires and/or serious injuries.

**Keep all safety information and instructions for future reference.**

- **Only for AS/NZS:** The tool shall always be supplied via residual current device with a rated residual current of 30 mA or less.
- **Handle the device with care.** The device may generate heat which increases the risk of fire and explosions.
- **Never use the device in potentially explosive environments.**
- **Do not cover the device when switched on.** The device heats up during operation and can cause burns.



**Warning of harmful light radiation. Do not look into the light beam for long periods. Do not direct the light beam towards other people or animals.** In accordance with DIN EN 62471, the device is safe in most conditions of use, except in cases of exceptionally long exposure and direct eye exposure to the light beam.

- **Have your device repaired by qualified specialist staff and always use original spare parts.**



- The light source fitted in this device must only be replaced by the manufacturer or a customer service workshop in order to ensure that your device operates reliably.
- **Check the mains plug and the power cable regularly in order to prevent a hazard.** Disconnect any damaged power cables from the power supply immediately and have them replaced by an authorised service workshop.
- Make sure that the device is in a stable position or suspended securely when setting it up. The device could fall. There is a risk of injury.
- Do not continue to use the device if it is damaged.



- The device is not a toy! Keep the device away from children.

### 3 Intended use

Floodlight is intended for illumination of construction sites, work areas, garages and the like. The electrical safety of the power source must be safeguarded.

The device is **not** suitable for illuminating rooms in residential buildings.



The user is liable for improper or non-intended use.



**NOTE** Some states have additional regulations for using electrical equipment on construction sites. These national regulations may restrict the use of the working light or impose additional requirements. Observe the valid national regulations.

### 4 Technical data

Flood light	SYSLITE DUO
Nominal voltage	220 - 240 V
Frequency	50/60 Hz
Illuminant	80 x 1,4 W Power LED
Max. power	112 Watt
Light current	8000 lm
Light color	5000 K
Color rendering index	>80
Lifespan (L70)	>10.000h
Weight	3,4 kg
Protection type	IP 55

This tool has a light source of energy efficiency class **E**.

### 5 Machine features

- [1-1]** Detachable stand, cable spool
- [1-2]** Luminous area
- [1-3]** Handle
- [1-4]** Wall peg, cable clam
- [1-5]** Mains power cable

The specified illustrations appear at the beginning of the Operating Instructions.

## 6 Commissioning



### WARNING

#### Unauthorised voltage or frequency!

#### Risk of accidents

- ▶ Observe the specifications on the machine's name plate.
- ▶ Observe country-specific regulations.

#### 6.1 Switching on/off

##### Switching on



The device's mains plug must not be inserted in moist environments as it does not have the corresponding protection against moisture.

- ▶ Insert the mains plug.

*The light cone appears automatically.*

##### Switching off

- ▶ Pull out the mains plug.
- ▶ Wind up the mains power cable on the base **[1-1]**. The cable end can be hooked onto the provided clamp **[2-1]**.

#### 6.2 Temperature surveillance

When exceeding the temperature limit, the device automatically reduces luminosity. If device continually exceeds temperature limits, power is cut off completely.

#### Measures for restoring luminosity:

- ▶ Pull mains plug,
- ▶ remove cause of overtemperature (i. e. obstructed air vents),
- ▶ reinsert mains plug.

*Full luminosity is restored.*

## 7 Setup



Always set up device with stand to keep air vents air accessible **[4-1]**.

Place on dry, even and stable surface. Do not suspend device from its power cord. Electrical hazards by overstraining the power cord may occur. Prevent obstruction of the cooling slits on top and bottom of the device.



Minimum distance to illuminated surfaces and combustible materials 0,2 m.


#### 7.1 Set-up angle [3]

The device can be set up in three different angles.

## 8 Affixing to surfaces [4]


For securer mounting the device is outfitted with a detachable stand [4-2] that includes bolt holes [4-3] for secure attachment to surfaces.

- ▶ Pull off stand. Begin by pulling more strongly on one side.
- ▶ Evenly pull off stand.
- ▶ Affix stand to surface.

 Do not affix device to vertical surfaces (walls etc.) as this significantly reduces the cooling performance of the air vents.

- ▶ Mount device on stand.

## 9 Set up with tripod [5]

 Use device only with the Festool tripod ST DUO 200. Tripod height may not exceed 2,0 m. Observe the instructions in the tripod manual.

- ▶ Expand tripod legs completely [5].
- ▶ Mount device on tripod.
- ▶ Swivel flood light until catch snaps into place.

## 10 Suspend

### 10.1 from wall [6]

Use wall peg [2-1] on rear side of device. Place on nail or screw head which protrudes from a wall.

### 10.2 by rope [7]

Device can be suspended from a rope via the guiding groove [7-1] located on handhold.

## 11 Service and maintenance



### WARNING

#### Risk of injury, electric shock

- ▶ Always pull the mains plug from the socket before performing any servicing and maintenance work.
- ▶ All maintenance and repair work which requires the motor housing to be opened should always be carried out by an authorised service workshop.



**Customer service and repairs** must only be carried out by the manufacturer or service workshops. Find the nearest address at:  
[www.festool.co.uk/service](http://www.festool.co.uk/service)



Always use original Festool spare parts. Order no. at:  
[www.festool.co.uk/service](http://www.festool.co.uk/service)

- ▶ To ensure constant air circulation, always keep the cooling air openings on the device clean and free of blockages.
- ▶ Only clean the plastic cover on the device with a soft, dry cloth to prevent damage. Do not use solvents.

## 12 Environment



**Do not dispose of the device in the household waste!** Recycle devices, accessories and packaging. Observe applicable national regulations.

**EU only:** In accordance with the European Directive on waste electrical and electronic equipment and implementation in national law, used power tools must be collected separately and handed in for environmentally friendly recycling.

**Information on REACH:** [www.festool.com/reach](http://www.festool.com/reach)

## 13 General information

### Imported into the UK by

Festool UK Ltd  
1 Anglo Saxon Way  
Bury St Edmunds  
IP30 9XH  
Great Britain