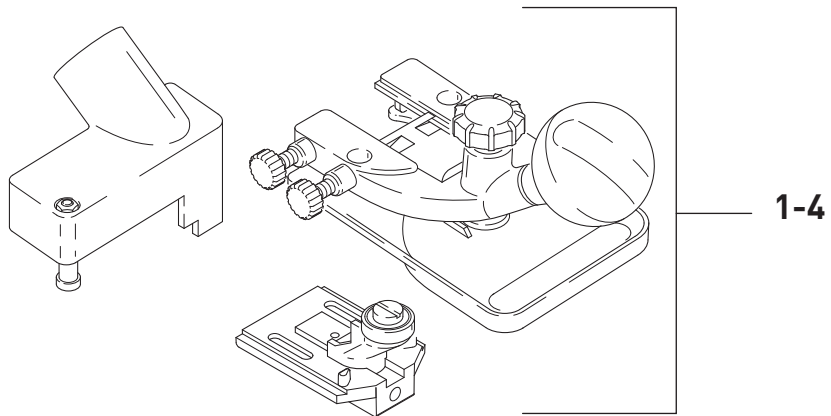
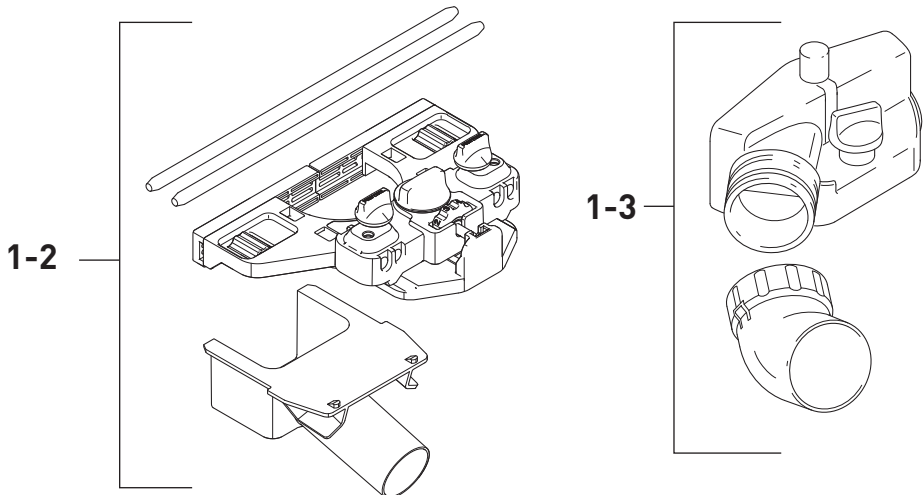
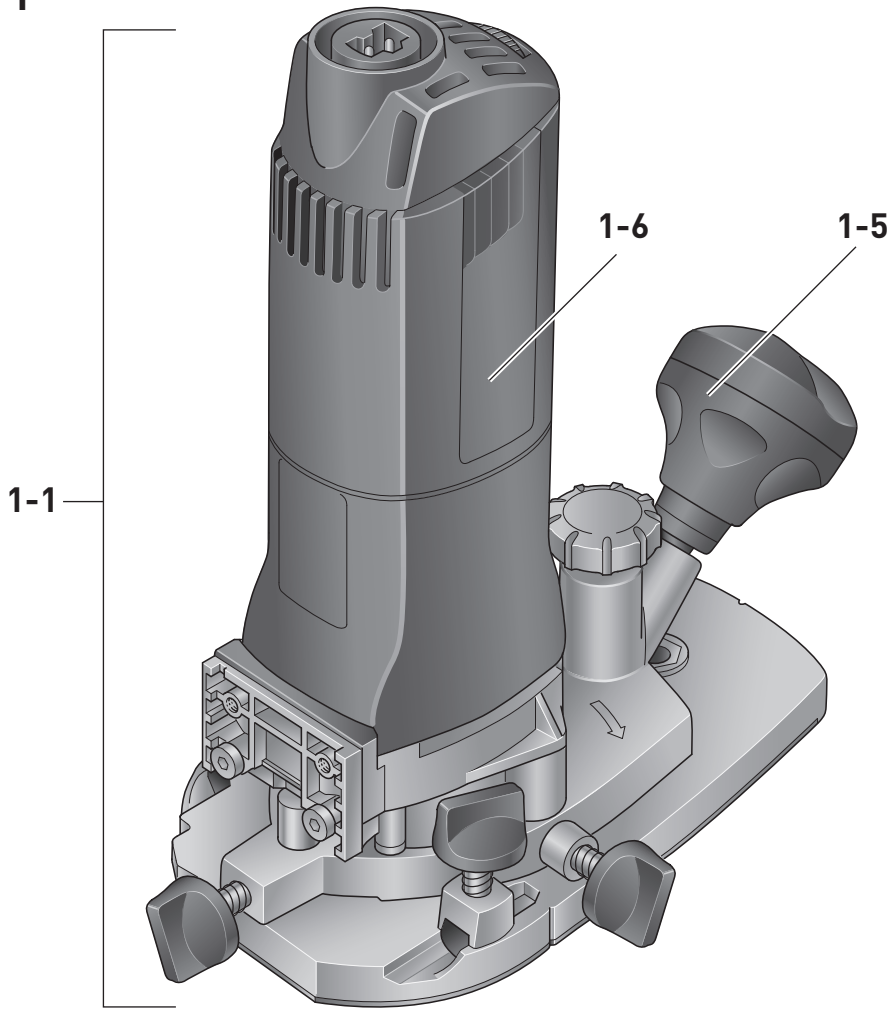


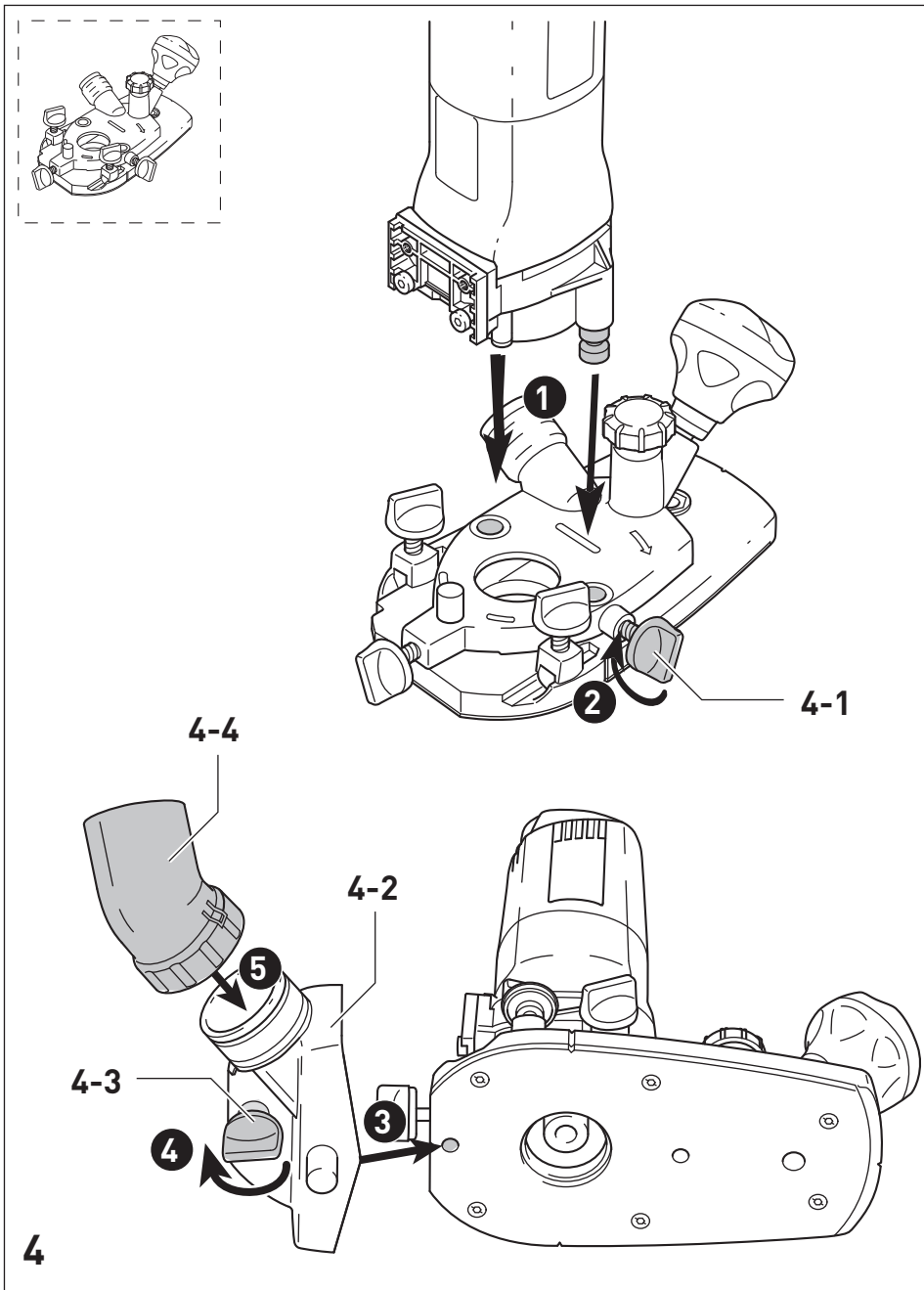
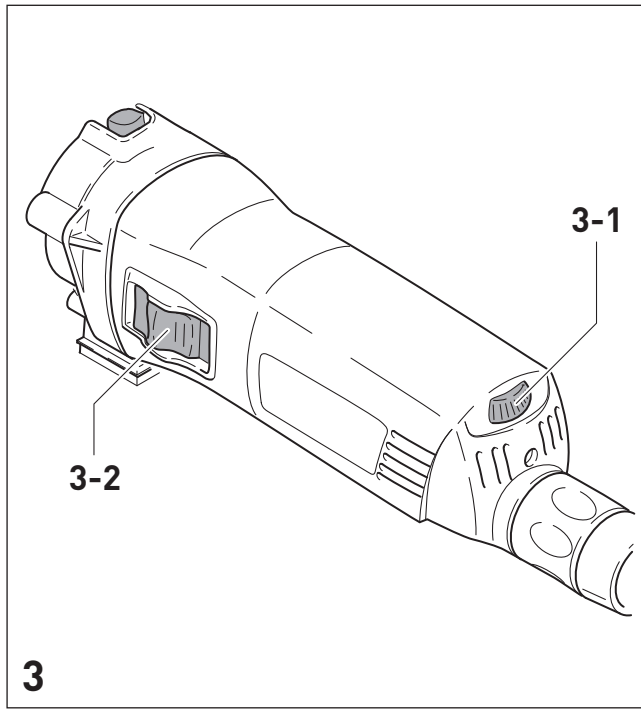
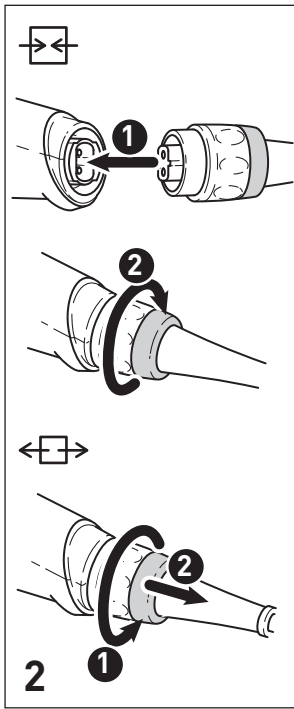
| | | |
|----|--|----|
| de | Originalbetriebsanleitung - Kantenfräse | 9 |
| en | Original instructions - Edge router | 15 |
| fr | Notice d'utilisation d'origine - Affleureuse | 20 |
| es | Manual de instrucciones original - Lijadora de cantos | 26 |
| it | Istruzioni per l'uso originali - Rifilatore | 32 |
| nl | Originele gebruiksaanwijzing - kantenfrees | 38 |
| sv | Originalbruksanvisning - Kantfräs | 44 |
| fi | Alkuperäiset käyttöohjeet - Reunajyrsin | 49 |
| da | Original brugsanvisning - kantfræser | 55 |
| nb | Original bruksanvisning – kantfres | 60 |
| pt | Manual de instruções original - Fresadora para arestas | 65 |
| ru | Перевод оригинального руководства по эксплуатации — кромочный фрезер | 71 |
| cs | Originální návod k obsluze – hranová frézka | 77 |
| pl | Oryginalna instrukcja obsługi - frezarka do krawędzi | 82 |

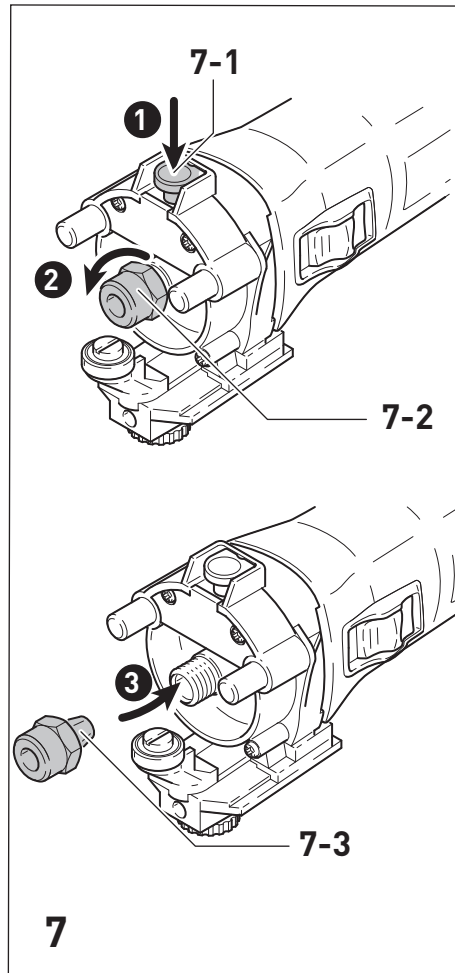
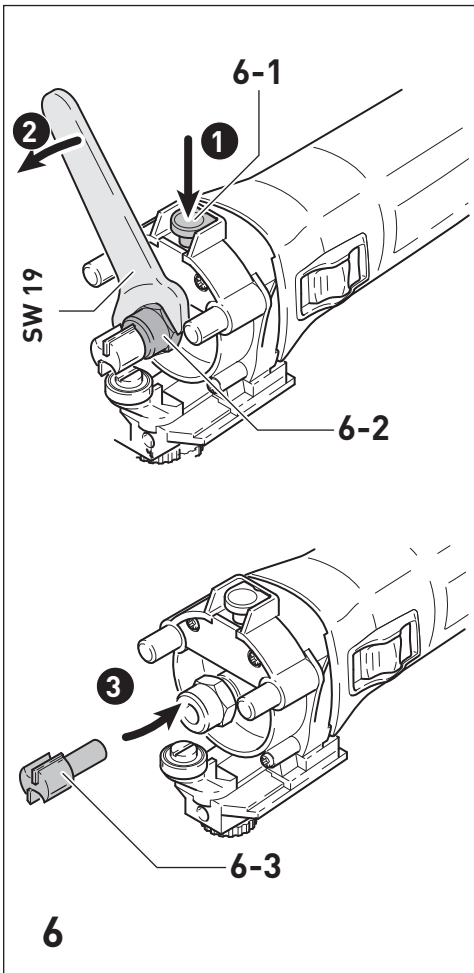
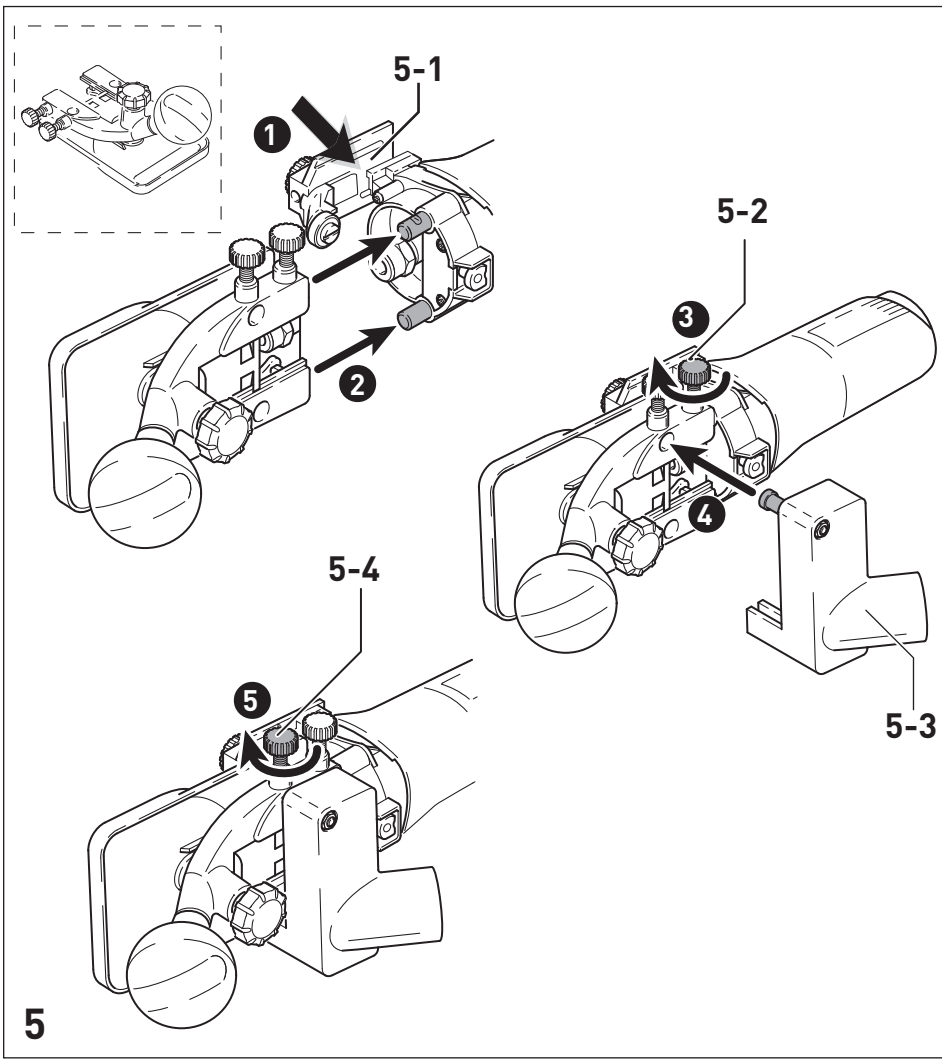
MFK 700 EQ

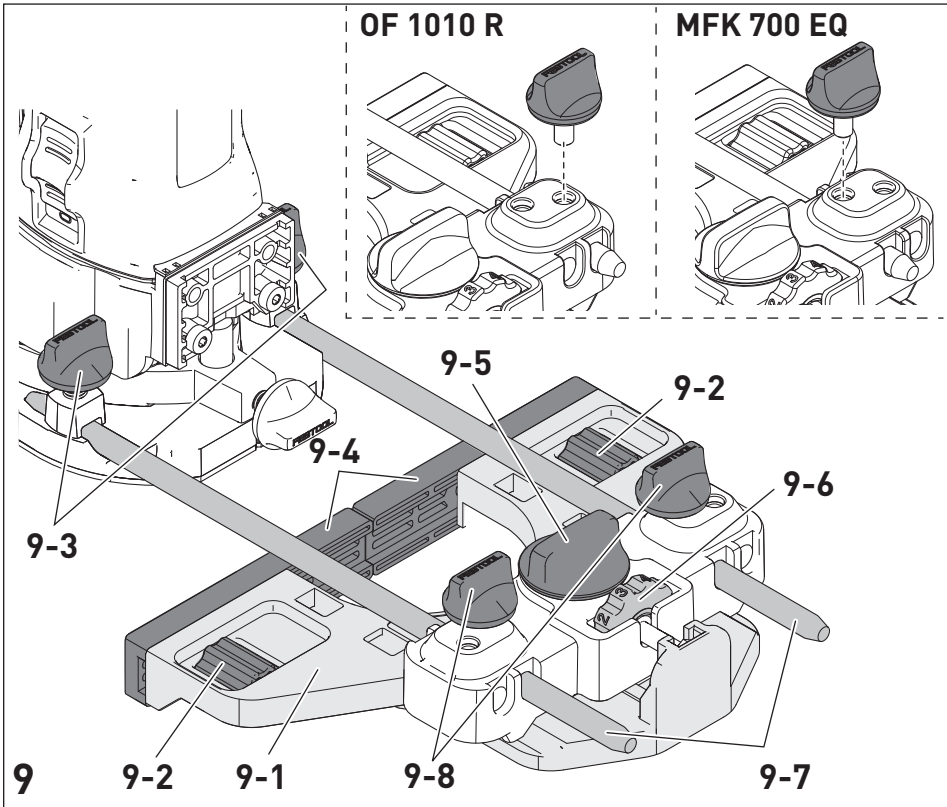
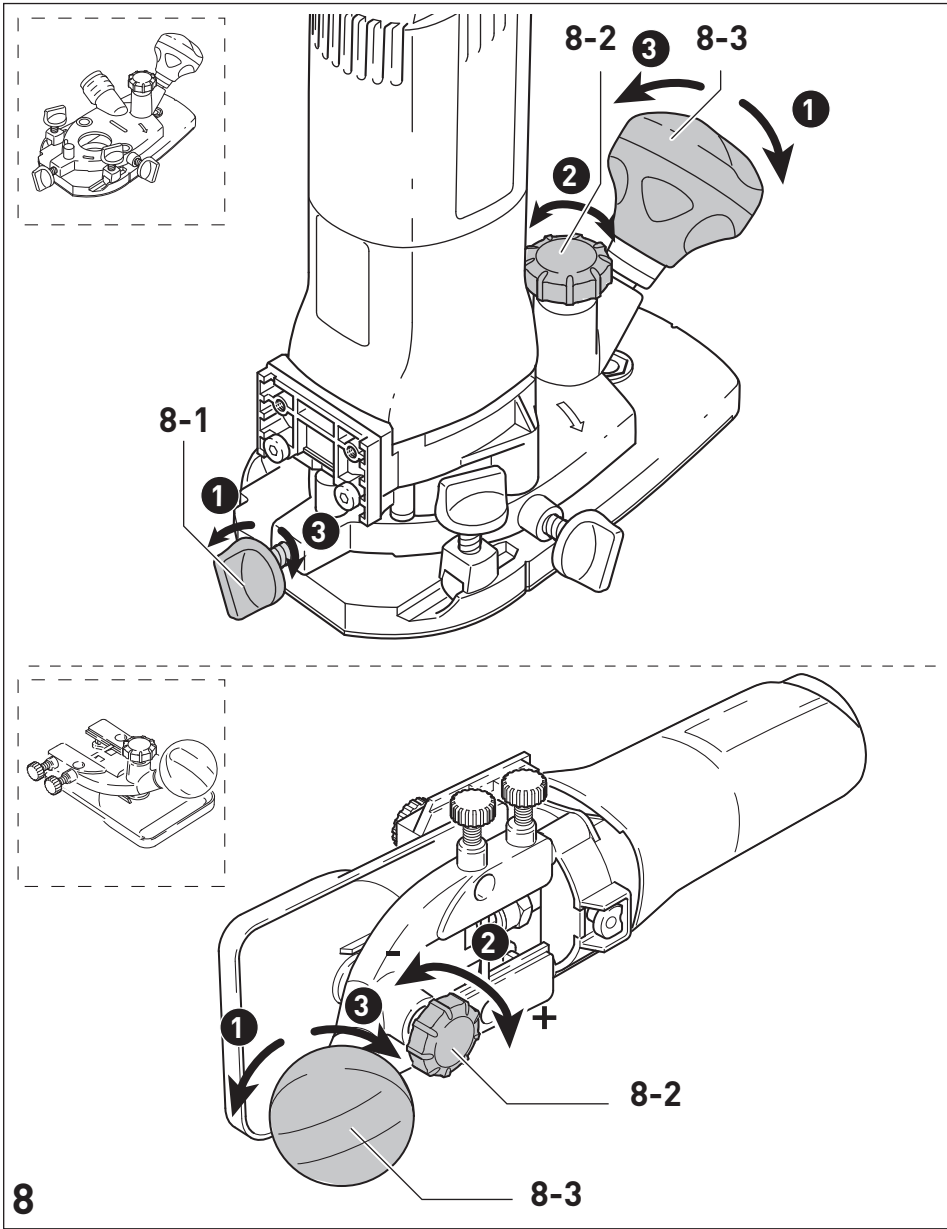


1

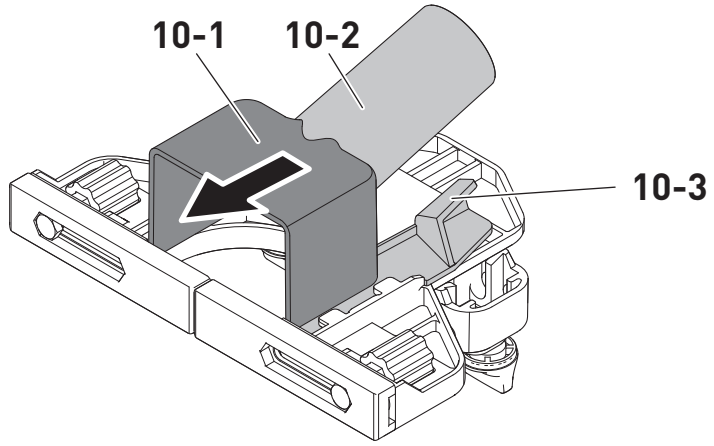




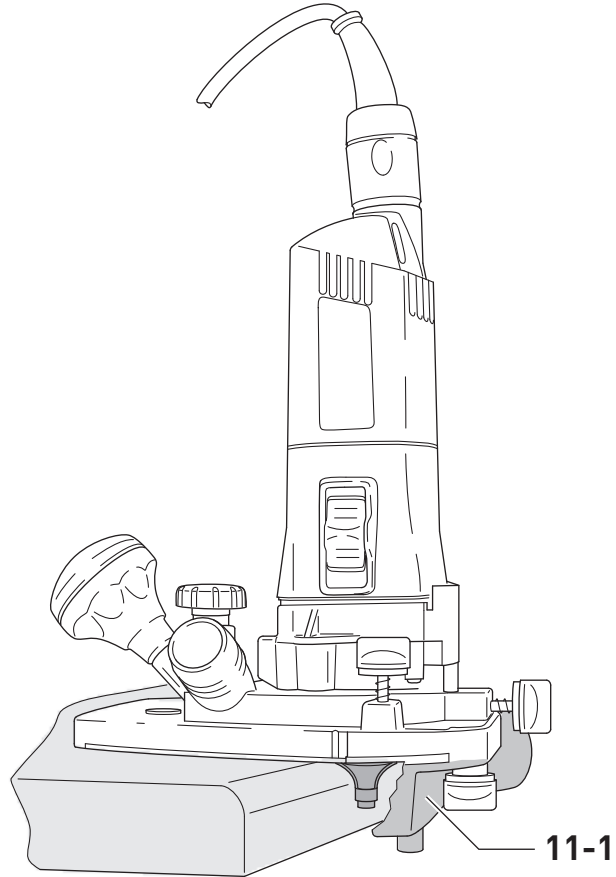




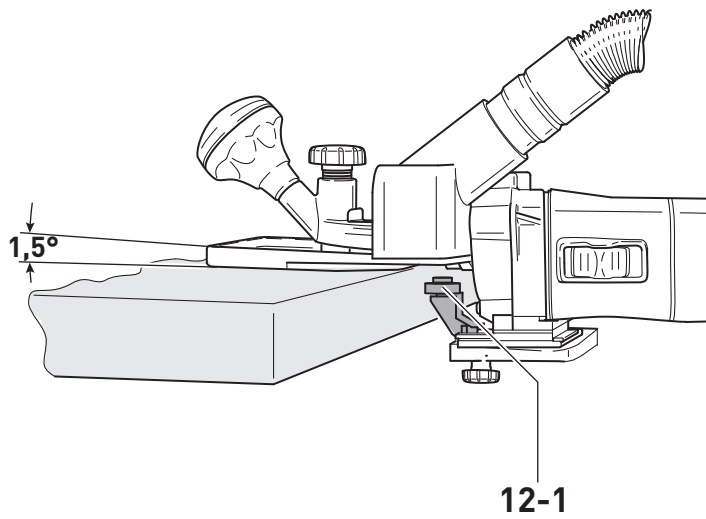
10



11



12



Kantenfräse
Edge router
Affleureuse

Seriennummer *
Serial number *
N° de série *
(T-Nr.)

MFK 700 EQ

10488470

de EU-Konformitätserklärung. Wir erklären in alleiniger Verantwortung, dass dieses Produkt mit allen relevanten Anforderungen folgender EU-Richtlinien übereinstimmt, und folgende Normen oder normative Dokumente zugrunde gelegt wurden:

en EU Declaration of Conformity. We declare under sole responsibility that this product complies with all the relevant requirements in the following EU Directives, and following standards and normative documents were applied:

fr Déclaration de conformité de l'UE. Nous déclarons, sous notre seule responsabilité, que ce produit satisfait à toutes les exigences pertinentes des directives UE suivantes et repose sur les normes ou documents normatifs suivants :

es Declaración UE de conformidad. Declaramos bajo nuestra responsabilidad que este producto cumple todos los requisitos relevantes de las siguientes directivas de la UE y que se han tomado como base las siguientes normas o documentos normativos:

it Dichiarazione di conformità UE. Dichiariamo sotto nostra unica responsabilità che il presente prodotto sia conforme a tutti i requisiti di rilevanza definiti dalle seguenti Direttive UE e che siano stati applicati le seguenti norme o i seguenti documenti normativi:

nl EU-conformiteitsverklaring. Wij verklaren en stellen ons ervoor verantwoordelijk dat dit product volledig voldoet aan alle volgende EU-richtlijnen en volgende normen of normatieve documenten daaraan ten grondslag gelegd werden:

sv EU-försäkran om överensstämmelse. Vi förklarar på eget ansvar att denna produkt uppfyller alla relevanta krav enligt följande EU-direktiv och baseras på följande normer eller normgivande dokument:

fi EU-vaatimustenmukaisuusvakuutus. Vakuutamme yksinomaisella vastuulla, että tämä tuote täyttää seuraavien EU-direktiivien kaikki olennaiset vaatimukset ja se on seuraavien standardien tai standardiasiakirjojen mukainen:

da EU-overensstemmelseserklæring. Vi erklærer med eneansvar, at dette produkt er i overensstemmelse med alle relevante krav i følgende EU-direktiver, og at følgende standarder eller normative dokumenter danner grundlag for det:

nb EU-samsvarserklæring. Vi erklærer under eneansvar at dette produktet oppfyller alle relevante krav i følgende EU-direktiver og at følgende standarder eller normative dokumenter er blitt lagt til grunn:

pt Declaração de conformidade UE. Sob nossa inteira responsabilidade, declaramos que este produto está de acordo com todas as exigências relevantes das seguintes diretivas UE, tendo sido tomadas por base as seguintes normas ou documentos normativos:

ru Декларация о соответствии ЕС. Мы со всей ответственностью заявляем, что данная продукция соответствует всем применимым требованиям следующих Директив ЕС, стандартов и нормативных документов:

cs Prohlášení o shodě EU. Prohlašujeme s veškerou odpovědností, že tento výrobek splňuje všechny příslušné požadavky následujících směrnic EU a že byly použity následující normy nebo normativní dokumenty:

pl Deklaracja zgodności UE. Niniejszym oświadczamy na własną odpowiedzialność, że produkt ten spełnia wszystkie obowiązujące wymogi następujących dyrektyw UE, norm lub dokumentów normatywnych.

2006/42/EC, 2014/30/EU, 2011/65/EU

EN 62841-1: 2015 + AC:2015

EN 62841-2-17:2017

EN 55014-1:2017, EN 55014-2:2015

EN IEC 61000-3-2:2019, EN 61000-3-3: 2013

EN IEC 63000:2018



Unterzeichnet für und im Namen von/
Signed on behalf of and in name of/
Signé pour et au nom de

Festool GmbH

Wertstr. 20, 73240 Wendlingen, GERMANY

Wendlingen, 2021-10-07

Markus Stark

Head of Product Development

Ralf Brandt

Head of Product Conformity

* im definierten Seriennummer-Bereich (S-Nr.) von 40000000 - 49999999

in the specified serial number range (S-Nr.) from 40000000 - 49999999

dans la plage de numéro de série (S-Nr.) de 40000000 - 49999999

Edge router

Serial number ¹⁾
(T-Nr.)

MFK 700 EQ

10488470

We as the manufacturer declare under our sole responsibility that this product(s) fulfill(s) all the relevant provisions of the following UK Regulations and are manufactured in accordance with the following designated standards:

S.I. 2008/1597

S.I. 2016/1091

S.I. 2012/3032

BS EN 62841-1:2015

BS EN 62841-2-17:2017

BS EN 55014-1:2017

BS EN 55014-2:2015

BS EN IEC 61000-3-2:2019

BS EN 61000-3-3:2013

BS EN IEC 63000:2018



Signed on behalf of and in name of

Festool GmbH

Wertstr. 20, 73240 Wendlingen, GERMANY

Place and date of declaration: Wendlingen, 07.10.2021

ppa. 

Markus Stark

Head of Product Development

i.v. 

Ralf Brandt

Head of Product Conformity

¹⁾ in the specified serial number range (S-Nr.) from 40000000 - 49999999

Contents

| | | |
|----|---|----|
| 1 | Symbols..... | 15 |
| 2 | Safety warnings..... | 15 |
| 3 | Intended use..... | 16 |
| 4 | Technical data..... | 16 |
| 5 | Parts of the device..... | 16 |
| 6 | Commissioning..... | 16 |
| 7 | Settings..... | 17 |
| 8 | Working with the electric power tool..... | 18 |
| 9 | Service and maintenance..... | 19 |
| 10 | Accessories..... | 19 |
| 11 | Environment..... | 19 |
| 12 | General information..... | 19 |

1 Symbols



Warning of general danger



Warning of electric shock



Read the operating manual and safety warnings.



Wear ear protection.



Wear a dust mask.



Wear protective gloves when changing tools!



Wear protective goggles.



Disconnecting the mains power cable



Connecting the mains power cable



Safety class II



Do not dispose of it with domestic waste.



CE marking: Confirms the conformity of the power tool with the European Community directives.



Tip or advice



Handling instruction



UKCA marking: Confirms the conformity of the product with UK regulations.

2 Safety warnings

2.1 General power tool safety warnings



WARNING! Read all safety warnings, instructions, illustrations and specifications provided with this power tool. Failure to follow all instructions listed below may result in electric shock, fire and/or serious injury.

Save all warnings and instructions for future reference.

The term "power tool" in the warnings refers to your mains-operated (corded) power tool or battery-operated (cordless) power tool.

2.2 Machine-specific safety notices

- **Hold the power tool by insulated gripping surfaces only, because the cutter may contact its own cord.** Cutting a "live" wire may make exposed metal parts of the power tool "live" and could give the operator an electric shock.
- **Use clamps or another practical way to secure and support the workpiece to a stable platform.** Holding the work by your hand or against the body leaves it unstable and may lead to loss of control.
- Do not clamp tools with an unsuitable shank diameter in the clamping collet.
- Operate power tool only with properly installed guide table and extraction hood
- **Only cutters provided by Festool for this purpose may be mounted on the power tool.** The use of other cutters is prohibited due to the increased risk of injury.
- Only use cutters that meet standard EN 847-1. All Festool cutters meet these requirements.
- The clamping collet and locking nut must not show any signs of damage
- Do not use cracked or deformed router bits.
- Ensure that the router bit is seated firmly and that it runs perfectly.
- **The maximum rotational speed specified on the tool must not be exceeded or the rotational speed range must be observed.** Accessories that rotate faster than the permissible level can rupture.
- Do not work on the power tool if its electronics are defective as this may lead to excessive speeds. You can tell if the electronics are defective if there is no smooth start-up, if it is not possible to regulate the speed

and in the event of generation of smoke or the smell of burning from the machine.



Wear suitable personal protective equipment: Ear protection, safety goggles, a dust mask for work that generates dust.

- **Only for AS/NZS:** The tool shall always be supplied via residual current device with a rated residual current of 30 mA or less.

2.3 Emission levels

The levels determined in accordance with EN 62841 are typically:

| | |
|----------------------|-----------------------------|
| Sound pressure level | $L_{PA} = 81 \text{ dB(A)}$ |
| Sound power level | $L_{WA} = 92 \text{ dB(A)}$ |
| Uncertainty | $K = 1.5 \text{ dB}$ |



CAUTION

Noise generated when working
Risk of damage to hearing

- Always use ear protection.

Vibration emission level a_h (vector sum for three directions) and uncertainty K measured in accordance with EN 62841:

$$a_h < 2.5 \text{ m/s}^2$$

$$K = 1.5 \text{ m/s}^2$$

The specified emission levels (vibration, noise)

- are used to compare machines.
- They are also used for making preliminary estimates regarding vibration and noise load during operation.
- They represent the primary applications of the power tool.



CAUTION

The emission values may deviate from the specified values. This is dependent on how the tool is used and the type of workpiece being machined.

- Assess the actual load during the entire operating cycle.
- Depending on the actual load, suitable protective measures must be defined in order to protect the operator.

3 Intended use

The power tool is designed for routing wood, plastic and similar materials.



The user is liable for improper or non-intended use.

4 Technical data

| | |
|---------------------------------------|--------------------------------|
| Edge router | MFK 700 EQ |
| Power | 720 W |
| Speed | 10,000–26,000 rpm |
| Max. speed (no-load) | 26,000 rpm |
| Tool holder | 8 mm (optional: 6 mm, 1/4") |
| Max. routing diameter | 26 mm/1" |
| Connection dia. d/e | 27 mm |
| Weight as per EPTA procedure 01:2014: | 2.0 kg |

5 Parts of the device

- [1-1]** MFK 700 EQ with router table with large support surface
- [1-2]** Parallel side fence with guide bars and dust extraction attachment
- [1-3]** Dust extraction attachment for router table with large support surface and extractor connector
- [1-4]** Router table for edge veneer with fol-lower roll and dust extraction attachment (only included in SET items)
- [1-5]** Gripping surface, locking for routing depth
- [1-6]** Gripping surface

The specified illustrations appear at the beginning of the Operating Instructions.

Accessories shown or described are not always included in the scope of delivery.

6 Commissioning



WARNING

Unauthorised voltage or frequency.

Risk of accidents

- The mains voltage and the frequency of the power source must correspond to the specifications on the name plate.
- In North America, only Festool machines with the voltage specifications 120 V / 60 Hz may be used.

**CAUTION****Heating of the plug it connection if bayonet fitting is not completely locked****Risk of burns**

- ▶ Before switching on the power tool, make sure that the bayonet fitting at the mains cable is closed fully and locked.

Connecting and detaching the mains power cable - see Fig. [2].

6.1 Switching on/off

The switch [3-2] serves as an on/off switch (I = ON, 0 = OFF).

7 Settings**WARNING****Risk of injury, electric shock**

- ▶ Always disconnect the mains plug from the socket before performing any work on the machine.

7.1 Electronics**Constant speed**

The preselected motor speed is kept constant through electronic control. This ensures a uniform speed even when under load.

Speed control

You can use the adjusting wheel [3-1] to continuously adjust the speed within the speed range (see Section Technical data). This enables you to optimise the speed to suit the respective material. Please also note the specifications on the tools.

Scorch or melt marks on the material can be prevented through reducing the speed.

Temperature cut-out

The power supply is restricted and the speed reduced if the motor exceeds a certain temperature. The power tool continues operating at reduced power to allow the ventilator to cool the motor quickly. The power tool starts up again automatically once the motor has cooled sufficiently.

Restart protection

The built-in restart protection prevents the power tool from starting up again automatically if the power is disconnected when the on/off switch is pressed. In this case, the power tool must be switched off and then switched back on again.

Due to the built-in restart protection, the power tool cannot be switched on and off via an external switch module.

7.2 Replacing router table

The large surface router table is already fitted as standard. The large contact surface and precision adjustment features of this router table enable a high degree of accuracy. Other router tables are included in the accessories programme.

a) Large surface router table

- ▶ Slide the router table onto the retaining pin on the machine.
- ▶ Tighten the screw [4-1] to clamp the router table in position.
- ▶ Place the extraction hood [4-2] in position.
- ▶ Tighten the screw [4-3] to clamp the extraction hood in position.
- ▶ Place the extractor connector [4-4] on the extraction hood.

Removal in reverse order.

b) Router table for edge veneer

The "router table for edge veneer" (only in SET scope of delivery) is designed for flush trimming veneer overhang and profile routing.

- ⓘ The router table is tilted 1.5° so that the surface coating is not damaged during edge routing. A router table with 0° inclination angle for precise cuts is available as an accessory.

- ▶ Secure the sensor [5-1] to the machine using the preassembled screws. Slide the sensor in the long holes to adjust the routing tool to the perfect position.
- ▶ Slide the router table onto the retaining pin on the machine.
- ▶ Tighten the screw [5-2] to clamp the router table in position.
- ▶ Place the extraction hood [5-3] in position.
- ▶ Tighten the screw [5-4] to clamp the extraction hood in position.

Removal in reverse order.

7.3 Changing tools**CAUTION****Risk of injury from hot and sharp insertion tool**


- ▶ Do not use any blunt or faulty insertion tools.
- ▶ Wear protective gloves when handling an insertion tool.

Before replacing the cutter remove the router table.

Removing the tool

- ▶ Push spindle lock [6-1].
- ▶ Slacken union nut [6-2] using open ended spanner (SW 19) until the tool can be removed.
- ▶ Release spindle lock [6-1].

Inserting the tool

- ▶ Position the cutter [6-3] as far as possible, at least as far as the marking  at the cutter shaft, into the open clamping collet.
- ▶ Push spindle lock [6-1].
- ▶ Tighten union nut [6-2] using open ended spanner (SW 19).
- ▶ Release spindle lock [6-1].

7.4 Replacing clamping collet

Only suitable tools can be used with the supplied collets. Collets with 8 mm, 6 mm and 1/4" (6.35 mm) can be used.

- ▶ Push spindle lock [7-1].
- ▶ Unscrew union nut [7-2] fully.
- ▶ Release spindle lock [7-1].
- ▶ Remove union nut together with the clamping collet [7-3] from the spindle. **Never separate the union nut and clamping collet!** They form one unit.
- ▶ Insert another clamping collet with union nut into the spindle.
- ▶ Gently turn union nut. **Do not tighten union nut if there is no cutter inserted!**

7.5 Setting the Mortise Depth

- ▶ Unscrew the rotary knob [8-3] and the clamp [8-1] (large surface router table only).
- ▶ Turn the rotary wheel [8-2] to set the router table to the required routing depth.
- ▶ Tighten the rotary knob [8-3] and the clamp [8-1] (large surface router table only).

7.6 Dust extraction



WARNING

Dust hazard

- ▶ Dust can be hazardous to health. Always work with a dust extractor.
- ▶ Always read applicable national regulations before extracting hazardous dust.

Extraction hoods are supplied for both router tables; a Festool extractor (extractor hose with a diameter of 27 mm) can be connected to these extraction hoods.

The dust extractor (extractor hose with dia. 27 mm) can also be attached to the large surface router table or the side stop depending on the application.

CAUTION! If an anti-static suction hose is not used, static charge may occur. The user may receive an electric shock and the electronics of the power tool may be damaged.

8 Working with the electric power tool



When working on the machine, observe all of the safety warnings that are listed at the start as well as the following rules:

- Always secure the workpiece in such a way that it cannot move during machining.
- Hold the machine with two hands – one on the motor housing and one on the gear head or on the additional handle [1-5] – to ensure safe guidance.
- Adjust the feed speed to the router diameter and the material. Work with a constant feed speed.
- Only guide the power tool towards the workpiece when it is switched on.
- **Wait until the power tool has come to a complete halt before placing it down.** The insertion tool can get caught and lead to a loss of control of the power tool.
- Make sure that the router table is firmly tightened before routing.
- When routing, ensure that the power tool's feed direction is the same as the tool's cutting direction.

8.1 Guide types

Routing with a parallel side fence

For working parallel to the workpiece edge, the parallel side fence^[2] [9-1] can be used.

- ▶ Clamp the two guide rods [9-7] to the parallel side fence using the two rotary knobs [9-8].
- ▶ Insert the guide rods into the grooves of the router table to the required extent and clamp them using the two rotary knobs [9-3].

[2] Included in accessories in some cases

Fine adjustment

- ▶ Open the rotary knob [9-5] to perform fine adjustment using the adjusting wheel [9-6].
- ⓘ Each number on the adjusting wheel is equal to fine adjustment of 0.1 mm .
- ▶ Close the rotary knob [9-5] after performing fine adjustment.
- ▶ Set the two guidance jaws [9-4] so that they are approx. 5 mm mm from the cutter. To do so, open the two jaw fasteners [9-2] and close them after making an adjustment.

Dust extraction attachment

- ▶ As shown in figure [10], push the dust extraction attachment [10-1] from behind until it engages on the parallel side fence.
- ▶ To remove the dust extraction attachment, slightly lift the tabs [10-3].
- ⓘ An extractor hose with a diameter of 27 mm mm or 36 mm mm can be connected to the extractor connector [10-2].

Edge trimming with a ball bearing guide [Fig. 11]

In order to edge trim with the router table with a large support surface, cutters with a ball bearing guide are inserted into the machine. The machine is guided in such a way that the ball bearing guide rolls on the workpiece. When edge trimming, always use the dust extraction attachment [11-1] to improve dust extraction.

Edge trimming with a sensor and router table for edge veneer [Fig. 12]

In order to edge trim with the router table for edge veneer (only included in SET items), fit the sensor [12-1] on the machine (see section 7.2). Guide the power tool in such a way that the sensor lies on the workpiece.

9 Service and maintenance



WARNING

Risk of injury, electric shock

- ▶ Always pull the mains plug from the socket before performing any servicing and maintenance work.
- ▶ All maintenance and repair work which requires the motor housing to be opened should always be carried out by an authorised service workshop.



Customer service and repairs must only be carried out by the manufacturer or service workshops. Find the nearest address at:
www.festool.co.uk/service



Always use original Festool spare parts. Order no. at:
www.festool.co.uk/service

- ▶ Damaged safety devices and components must be repaired or replaced in a recognised specialist workshop, unless otherwise indicated in the operating instructions.
- ▶ The tool is equipped with special self-disconnecting carbon brushes. If they wear out, the power supply is disconnected automatically and the tool stops.
- ▶ To ensure constant air circulation, always keep the cooling air openings in the motor housing clean and free of blockages.

10 Accessories

You can find the PO numbers for accessories and tools under www.festool.co.uk.

11 Environment



Do not dispose of the device in the household waste! Recycle devices, accessories and packaging. Observe applicable national regulations.

In accordance with the European Directive on waste electrical and electronic equipment and implementation in national law, used power tools must be collected separately and handed in for environmentally friendly recycling.

Information on collection points for proper disposal can be found at www.festool.co.uk/recycling.

Information on REACH: www.festool.co.uk/reach

12 General information

Imported into the UK by

Festool UK Ltd
1 Anglo Saxon Way
Bury St Edmunds
IP30 9XH
Great Britain