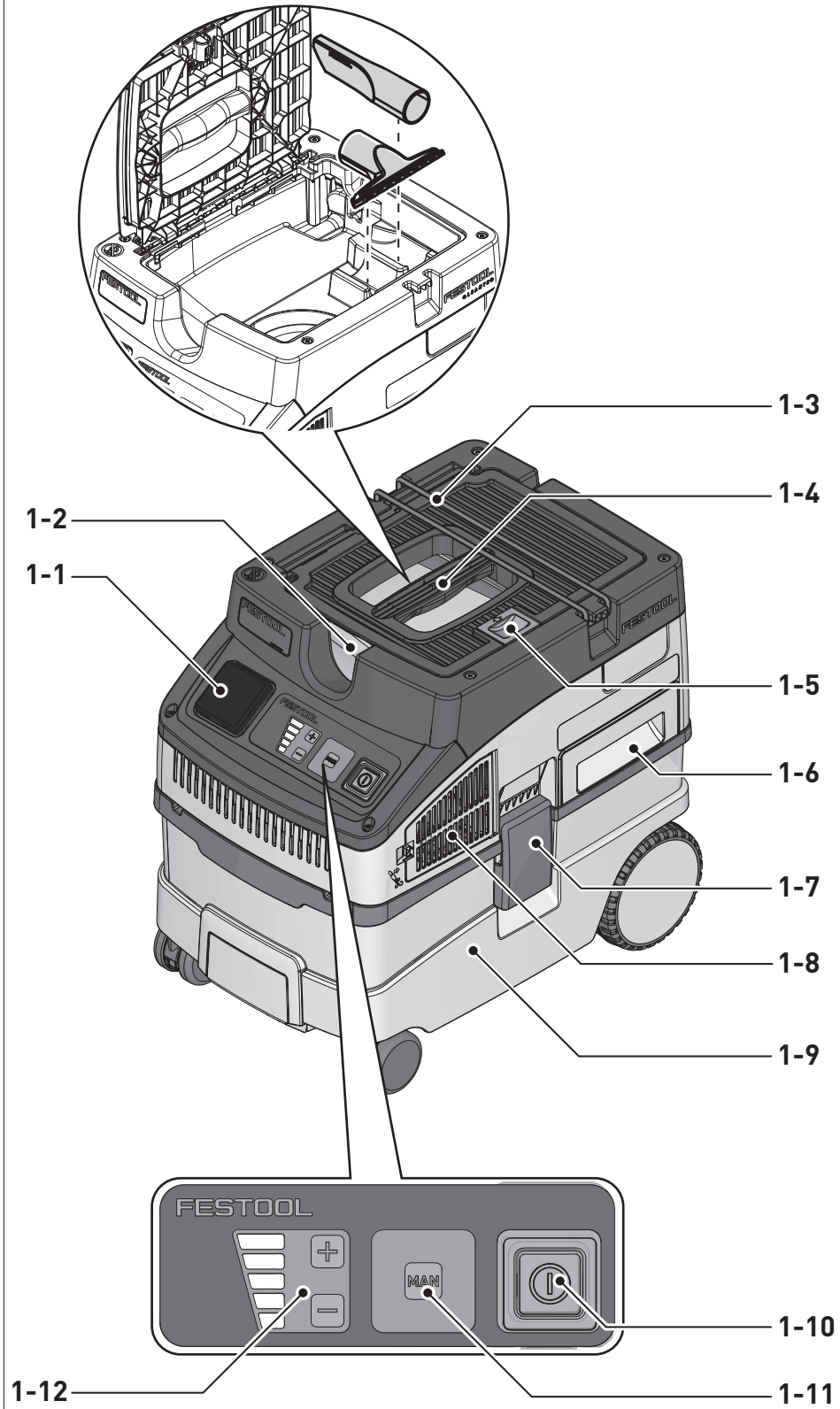


| | | |
|----|---|----|
| de | Originalbetriebsanleitung - Absaugmobil | 8 |
| en | Original Instructions - Mobile dust extractors | 13 |
| fr | Notice d'utilisation d'origine - Aspirateurs mobile | 18 |
| es | Manual de instrucciones original - Sistemas móviles de aspiración | 23 |
| it | Istruzioni per l'uso originali - Unità mobili d'aspirazione | 28 |
| nl | Originele gebruiksaanwijzing - Mobiele afzuigapparaten | 33 |
| sv | Originalbruksanvisning - Dammsugare | 38 |
| fi | Alkuperäiset käyttöohjeet - Siirrettävät imurit | 43 |
| da | Original brugsanvisning - Støvsugere | 48 |
| nb | Originalbruksanvisning - Mobil støv-/våtsuger | 53 |
| pt | Manual de instruções original - Aspiradores móveis | 58 |
| ru | Оригинал Руководства по эксплуатации - Пылеудаляющие аппараты | 63 |
| cs | Originál návodu k obsluze - Mobilní vysavače | 68 |
| pl | Oryginalna instrukcja eksploatacji - Odkurzacze mobilne | 73 |

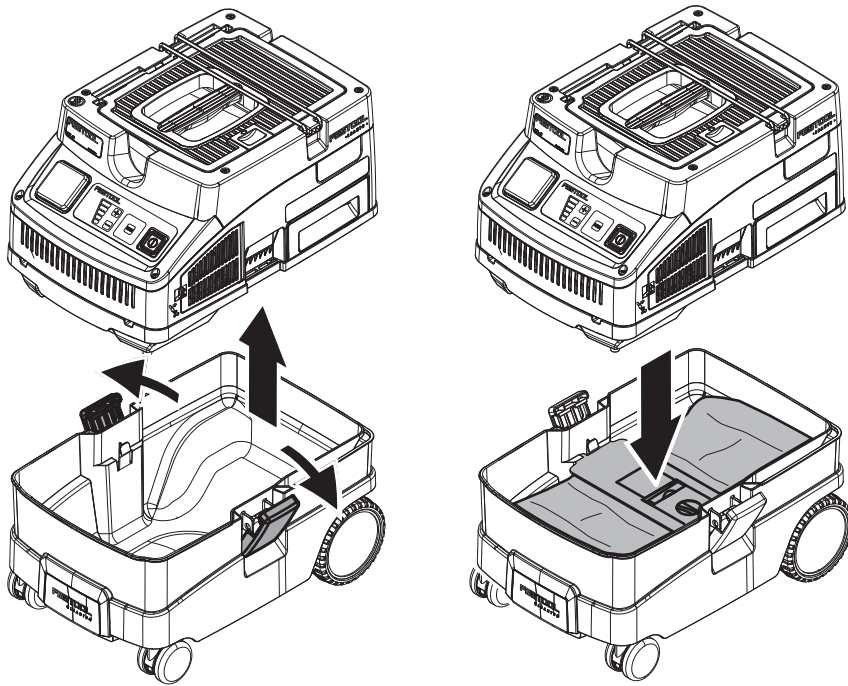
CT 15 E



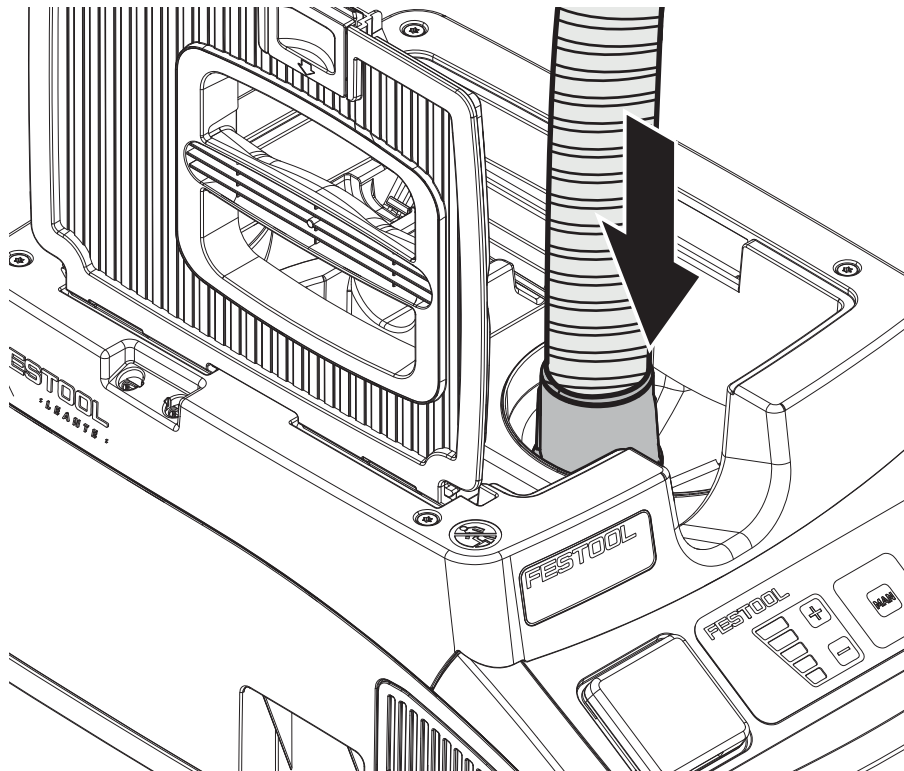
1



2



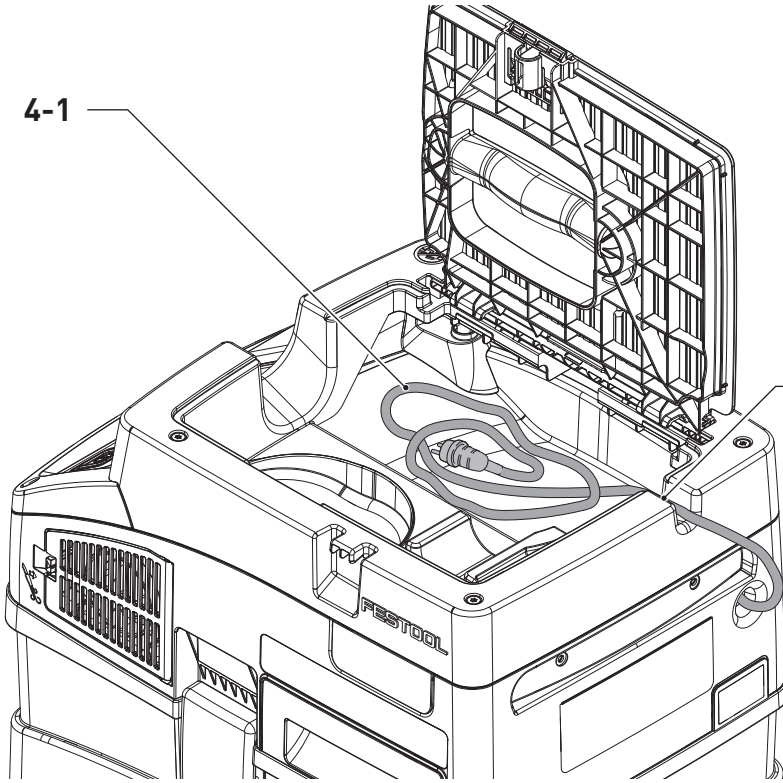
3



4

4-1

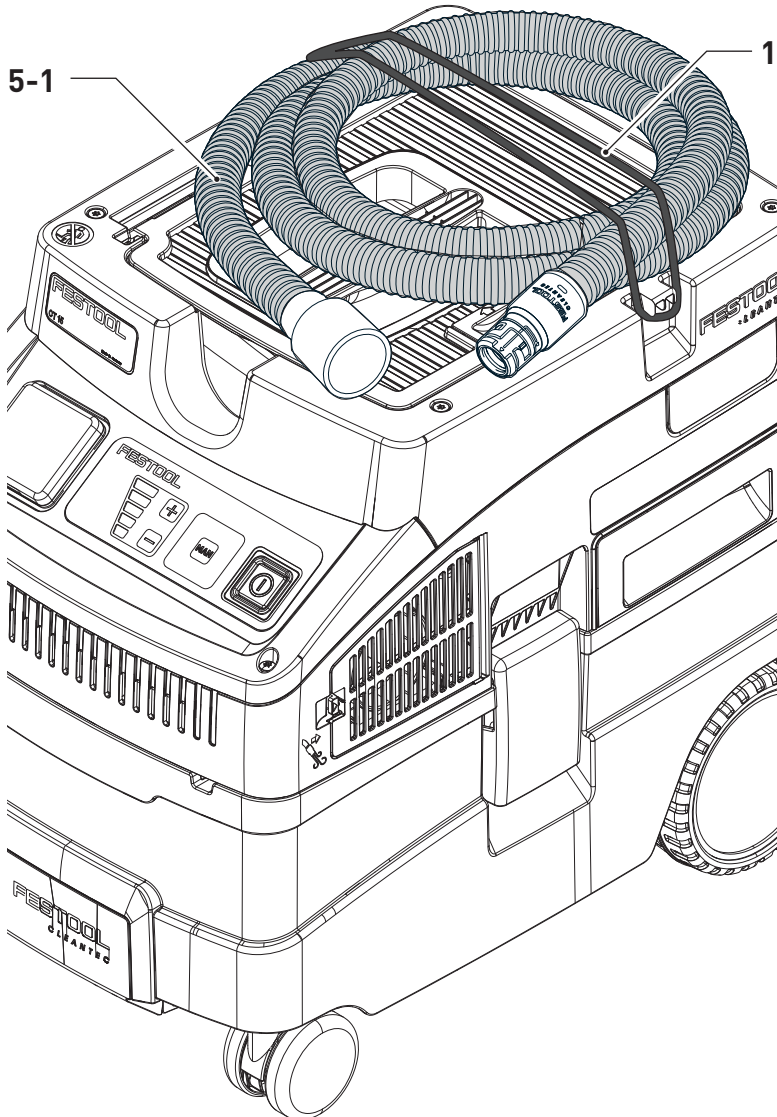
4-2



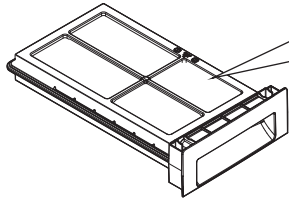
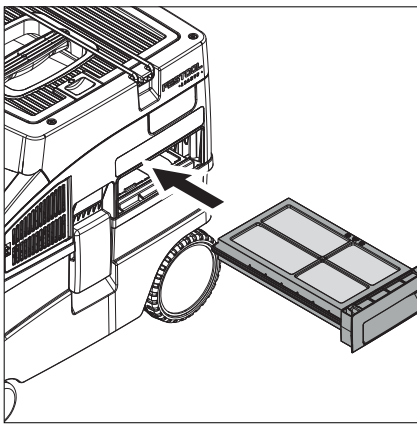
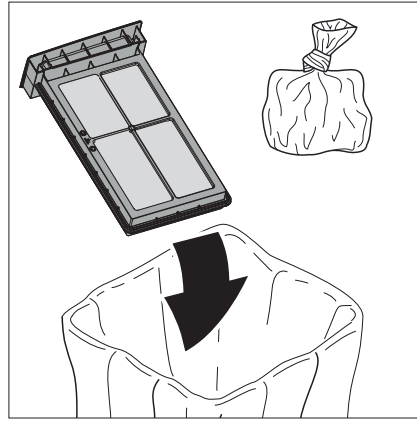
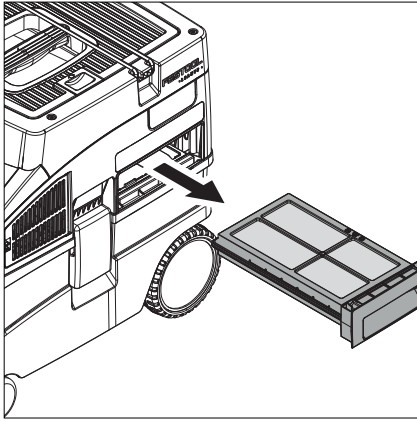
5

5-1

1-3



6

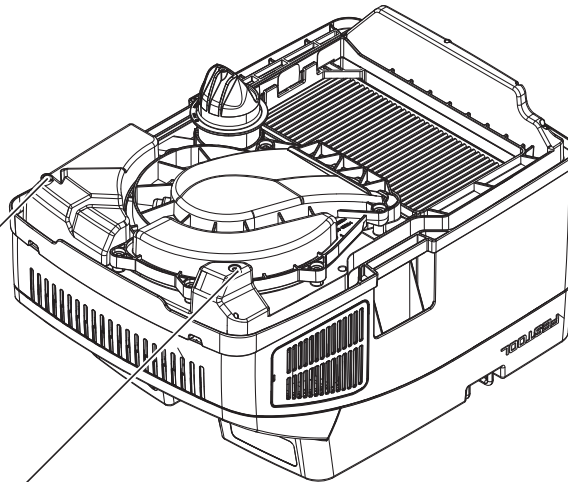
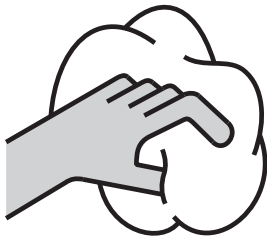


HF-CT MINI/MIDI-2/CT15
204 200



NF-CT MINI/MIDI-2/CT15
204 202

7



7-1

Declaration of Conformity

We as the manufacturer Festool GmbH, Wertstraße 20, 73240 Wendlingen, Germany declare under our sole responsibility that the product(s):

Designation: **Mobile dust extractor**
Designation of Type(s): **CT 15 E**
Serial number(s) ¹⁾: **201944**

fulfills all the relevant provisions of the following UK Regulations:

- S.I. 2008/1597 Supply of Machinery (Safety) Regulations 2008
- S.I. 2016/1091 Electromagnetic Compatibility Regulations 2016
- S.I. 2012/3032 Restriction of the Use of Certain Hazardous Substances in Electrical and Electronic Equipment Regulations 2012

and are manufactured in accordance with the following designated standards:

- BS EN 60335-1:2012 + A2:2019
- BS EN 60335-2-69:2012
- BS EN 55014-1:2017
- BS EN 55014-2:2015
- BS EN IEC 61000-3-2:2019
- BS EN 61000-3-3:2013
- BS EN IEC 63000:2018

¹⁾ in the specified serial number range (S-Nr.) from 400000000 – 499999999



Place and date of declaration: Wendlingen, 03.05.2021

Signed on behalf of and in name of Festool GmbH

Markus Stark
Head of Productdevelopment

Ralf Brandt
Head of Productconformity

| Absaugmobil Mobile dust extractors Aspirateurs | Seriennummer ¹⁾ Serial number ¹⁾ N° de série ¹⁾ (T-Nr.) |
|---|---|
| CTL Mini | 203448 |
| CTL Midi | 203449 |
| CTL Mini I | 201918, 201919, 201917, 201931, 10676336 |
| CTL Midi I | 201926, 204379, 201922, 201925, 201924, 10676335 |
| CTM Midi I | 201934, 201933, 10019662, 201935, 10676334 |
| CT 15 E | 201941, 201944, 201943, 10682075 |

de EU-Konformitätserklärung. Wir erklären in alleiniger Verantwortung, dass dieses Produkt mit allen relevanten Anforderungen folgender EU-Richtlinien übereinstimmt, und folgende Normen oder normative Dokumente zugrunde gelegt wurden:

en EU Declaration of Conformity. We declare under sole responsibility that this product complies with all the relevant requirements in the following EU Directives, and following standards or normative documents were applied:

fr Déclaration de conformité de l'UE. Nous déclarons, sous notre seule responsabilité, que ce produit satisfait à toutes les exigences pertinentes des directives UE suivantes et repose sur les normes ou documents normatifs suivants :

es Declaración UE de conformidad. Declaramos bajo nuestra responsabilidad que este producto cumple todos los requisitos relevantes de las siguientes directivas de la UE y que se han tomado como base las siguientes normas o documentos normativos:

it Dichiarazione di conformità UE. Dichiariamo sotto nostra unica responsabilità che il presente prodotto sia conforme a tutti i requisiti di rilevanza definiti dalle seguenti Direttive UE e che siano stati applicati le seguenti norme o i seguenti documenti normativi:

nl EU-conformiteitsverklaring. Wij verklaren en stellen ons ervoor verantwoordelijk dat dit product volledig voldoet aan alle volgende EU-richtlijnen en volgende normen of normatieve documenten daaraan ten grondslag gelegd werden:

sv EU-försäkran om överensstämmelse. Vi förklarar på eget ansvar att denna produkt uppfyller alla relevanta krav enligt följande EU-direktiv och baseras på följande normer eller normgivande dokument:

fi EU-vaatimustenmukaisuusvakuutus. Vakuutamme yksinomaisella vastuulla, että tämä tuote täyttää seuraavien EU-direktiivien kaikki olennaiset vaatimukset ja se on seuraavien standardien tai standardiasiakirjojen mukainen:

da EU-overensstemmelseserklæring. Vi erklærer med enansvar, at dette produkt er i overensstemmel-

se med alle relevante krav i følgende EU-direktiver, og at følgende standarder eller normative dokumenter danner grundlag for det:

nb EU-samsvarserklæring. Vi erklærer under eneansvar at dette produkt oppfyller alle relevante krav i følgende EU-direktiver og at følgende standarder eller normative dokumenter er blitt lagt til grunn:

pt Declaração de conformidade UE. Sob nossa inteira responsabilidade, declaramos que este produto está de acordo com todas as exigências relevantes das seguintes diretivas UE, tendo sido tomadas por base as seguintes normas ou documentos normativos:

ru Декларация о соответствии ЕС. Мы со всей ответственностью заявляем, что данная продукция соответствует всем применимым требованиям следующих Директив ЕС, стандартов и нормативных документов:

cs Prohlášení o shodě EU. Prohlašujeme s veškerou odpovědností, že tento výrobek splňuje všechny příslušné požadavky následujících směrnic EU a že byly použity následující normy nebo normativní dokumenty:

pl Deklaracja zgodności UE. Niniejszym oświadczamy na własną odpowiedzialność, że produkt ten spełnia wszystkie obowiązujące wymogi następujących dyrektyw UE, norm lub dokumentów normatywnych.

2006/42/EC, 2014/30/EU²⁾, 2014/53/EU³⁾, 2011/65/EU

EN 60335-1:2012+A11:2014+A13:2017+A1:2019+A2:2019+A14:2019, EN 60335-2-69:2012, EN 55014-1:2017+A11:2020²⁾, EN 55014-2:2015²⁾, EN 61000-3-2:2019²⁾³⁾, EN 61000-3-3: 2013+A1: 2019²⁾³⁾, EN 300 328V2.2.2 (2019-07)³⁾, EN 301 489-1 V2.2.3 (2019-11)³⁾, EN 301 489-17V3.2.4 (2020-09)³⁾, EN IEC 62311:2020, EN IEC 63000:2018



Unterzeichnet für und im Namen von/
Signed on behalf of and in name of/
Signé pour et au nom de

Festool GmbH

Wertstr. 20, 73240 Wendlingen, GERMANY
Wendlingen, 2022-04-12

ppa.

Markus Stark
Head of Product Development

Christian Bader
Head of Development Functions

¹⁾ im definierten Seriennummer-Bereich (S-Nr.) von 40000000 - 49999999/
in the specified serial number range (S-Nr.) from 40000000 - 49999999/
dans la plage de numéro de série (S-Nr.) de 40000000 - 49999999

²⁾ gilt für Geräte ohne Bluetooth®/valid for machines without Bluetooth®/
s'applique aux dispositifs sans Bluetooth®

³⁾ gilt für Geräte mit Bluetooth®/valid for machines with Bluetooth®/
s'applique aux dispositifs avec Bluetooth®

Contents

| | | |
|----|------------------------------|----|
| 1 | Safety warnings..... | 13 |
| 2 | Symbols..... | 14 |
| 3 | Parts of the machine..... | 14 |
| 4 | Technical data..... | 14 |
| 5 | Intended use..... | 15 |
| 6 | Commissioning..... | 15 |
| 7 | Settings..... | 15 |
| 8 | Working..... | 16 |
| 9 | Service and maintenance..... | 17 |
| 10 | Environment..... | 17 |
| 11 | General information..... | 17 |

1 Safety warnings



Warning! Read and observe all instructions and safety warnings. Failure to observe the instructions and safety warnings may lead to electric shocks, fires and/or serious injuries.

Keep all safety warnings and instructions for future reference.

- This appliance must not be used by persons (including children) with reduced physical, sensory or mental capabilities, or lack of experience and knowledge. **Children** need to be supervised to ensure they do not play with the device.
- If this device's mains power cable is damaged, it must be replaced by an authorised service workshop to prevent it posing a risk.
- Always operate with the filter system installed.
- **Warning** Operators must be appropriately instructed in the use of this machine.
- The mains plug must always be disconnected from the socket before performing cleaning or maintenance tasks, when replacing consumables or when converting the machine.
- **Warning** Only use the electrical outlet module on the machine for the purposes specified in the instructions.
- **Warning** If foam or fluid starts to escape, switch off the machine immediately.
- **Caution** Regularly clean the water level limiting device and inspect it for signs of damage.
- Not suitable for extracting fluids that foam excessively.
- Sound pressure level as per EN 60335-2-69/uncertainty K
70 dB(A)/3 dB
- Hand-arm vibration value as per EN 60335-6-69/uncertainty K
< 2.5 m/s² / 1.5 m/s²
- Not suitable for extracting hazardous dust.
- **Risk of explosion and fire: Do not extract:**
 - Sparks or hot dust;
 - combustible or explosive materials (e.g. magnesium, aluminium, petrol, diluting agents);
 - aggressive materials (e.g. acid, alkaline solutions, solvents);
 - chemically reactive materials, which lead to the generation of heat, acids/bases, gases, etc. (e.g. reactive two-component materials, aluminium and water).
- Observe all national safety regulations as well as the material manufacturer's specifications!
- Always use suitable protective equipment!
- If intact following a visual inspection, work in a dry environment according to instructions!
- Check the plug, the electrical outlet module, the cable and the filter regularly in order to prevent a hazard. Damaged electrical components must be replaced by an authorised service workshop only.
- Do not lift or transport the device using a crane hook or lifting gear.
- The mobile dust extractor must not be carried by the suction hose mount **[1-3]**.
- This machine must not be used by people who might have a particularly adverse reaction to an electric shock (e.g. **people with cardiac pacemakers**), because the possibility of the machine building up a static charge cannot be excluded.
- Only place the tool on level ground and secure it against rolling away.
- **Pay attention to the work environment and watch out for your own safety and the safety of others when transporting or working with the machine.**
In this way, you can for example prevent tripping hazards caused by the suction hose or mains cable.
- **Keep packaging film away from children.**
There is a risk of suffocation.

2 Symbols



Warning of general danger



Warning of electric shock



Read the operating instructions and safety instructions.



Do not dispose of it with domestic waste.



Pull out the mains plug



Wear a dust mask.



Do not climb on the unit



UKCA marking: The United Kingdom Conformity Assessed symbol is a marking for products being placed on the market in the United Kingdom. It is a manufacturers indication that the product is in conformance with the relevant regulations in the UK.

3 Parts of the machine

| | |
|---------------|----------------------------|
| [1-1] | Electrical outlet module |
| [1-2] | Cable and accessory holder |
| [1-3] | Suction hose mount |
| [1-4] | Handle |
| [1-5] | Lock |
| [1-6] | Filter drawer |
| [1-7] | Locking clip |
| [1-8] | Exhaust opening |
| [1-9] | Dirt trap |
| [1-10] | On/off switch |
| [1-11] | MAN button |
| [1-12] | Suction power adjustment |

The specified illustrations appear at the beginning of the Operating Instructions.

4 Technical data


| Mobile dust extractors | | |
|---|--------|---|
| Power consumption | | 350–1200 W |
| Max. electrical outlet module connected load | EU | 2200 W |
| | CH, DK | 1150 W |
| | GB | 1610 W |
| Max. suction capacity (air), extractor/turbine | | 130 m ³ /h / 222 m ³ /h |
| Max. vacuum, turbine | | 24,000 Pa |
| Filter surface area | | 3508 cm ² |
| Suction hose | | D 27/32 mm x 3.5 m |
| Mains power cable length | | 5.5 m |
| Sound pressure level as per EN 60335-2-69/uncertainty K | | 70 dB(A) |
| Hand-arm vibration value as per EN 60335-2-69/uncertainty K | | < 2.5 m/s ² / 1.5 m/s ² |
| Type of protection | | IP X4 |
| Container capacity | | 15 l |
| Dimensions L x W x H | | 470 x 320 x 430 mm |
| Weight | | 11.2 kg |

5 Intended use

Mobile dust extractor suitable for

- Extracting non-hazardous dust, dirt, sand and chips,
- Extracting water,
- Increased loads during commercial use, according to IEC/EN 60335-2-69.

The mobile dust extractor is only suitable for indoor use.

 The user is liable for improper or non-intended use.

6 Commissioning



WARNING

Unauthorised voltage or frequency!

Risk of accidents

- ▶ Observe the specifications on the machine's name plate.
- ▶ Observe country-specific regulations.

6.1 Initial commissioning

- ▶ Insert the filter bag [2].
- ▶ Connect the suction hose [3].

6.2 Connecting the mobile dust extractor



WARNING

Risk of injury from uncontrolled tool start-up


- ▶ Before switching on ensure that the connected tool is switched off.



WARNING

Risk of injury from electric current

- ▶ Insert the mains plug into an earthed socket.
- ▶ Do not reach into the electrical outlet module on the mobile dust extractor.

 While the mobile dust extractor is connected to the mains socket, an electric current is running through electrical outlet module on the mobile dust extractor at all times.


Connecting the mobile dust extractor to a mains socket

The mobile dust extractor is switched off.

- ▶ Connect the power cable to a mains socket. The electrical outlet module [1-1] is live.

Switching the mobile dust extractor to standby mode

- ▶ Press the on/off switch [1-10].
The electrical outlet module [1-1] is live.

 The green LED [1-12] indicates standby mode.

Starting the mobile dust extractor automatically

The mobile dust extractor is in standby mode.

- ▶ To start the mobile dust extractor automatically: Switch on the connected tool.

Starting the mobile dust extractor manually

The mobile dust extractor is in standby mode.

- ▶ Press the MAN button [1-11].



Pull the mains plug from the socket when you are not using the mobile dust extractor and before performing any cleaning and maintenance work.

6.3 Connecting power tools



WARNING

Risk of injury

- ▶ Observe the maximum electrical outlet module connected load (see section "Technical data").
- ▶ Switch off the power tool.

Connecting a mains-powered power tool to the mobile dust extractor

- ▶ Connect the power tool to the electrical outlet module [1-1].

The power tool is connected to the mobile dust extractor via the power cable.

7 Settings

7.1 Adjusting the suction power

- ▶ Press the plus or minus button [1-12] while extracting.

7.2 Connecting sleeve

The bypass function of the connecting sleeve prevents strong suction from sanding machines and floor nozzles on smooth surfaces.

Open

- ▶ Turn the adjusting ring to the "OPEN" position.

Close

- ▶ Turn the adjusting ring to the "CLOSE" position.

7.3 Temperature cut-out

A temperature cut-out switches the mobile dust extractor off when it reaches a critical temperature to prevent overheating. The bottom LED [1-12] indicates a fault.

LED lights up red Excessive temperature

- ▶ Switch off the mobile dust extractor, let it cool down.
- ▶ Switch on the mobile dust extractor again after approx. five minutes.

8 Working

8.1 Dust extraction



Extracting dry materials

Always use a filter bag.

8.2 Extracting wet materials/liquids



Remove the filter bag!

Use a special wet filter.

The dust extraction stops automatically when the maximum fill level is reached.

The bottom LED [1-12] lights up red.

- ▶ Switch off the mobile dust extractor [1-10].
- ▶ Open the locking clips [1-7] and remove the top section of the machine.
- ▶ Empty the dirt trap [1-9].

After wet extraction, allow the main filter to dry! Dry the mobile dust extractor before extracting dry dust.



CAUTION

Hazardous dust

Damage to the respiratory passage

- ▶ After extracting wet materials, remove the wet filter and replace it with the main filter for dry materials.



CAUTION

Escaping foam and liquids

- ▶ Switch off and empty the machine immediately.

8.3 Exhaust-air outlet



CAUTION

Hazardous dust

Damage to the respiratory passage

- ▶ Do not blow off any dust!

The exhaust-air outlet offers the option of diverting the exhaust air outside a building using the suction hose.

- ▶ Open the grille in front of the exhaust opening [1-8].
- ▶ Insert the suction hose in the exhaust opening [1-8].

8.4 Changing the filter bag with minimal dust


- ▶ Open the locking clips and remove the top section of the machine [2].
- ▶ Pull the tab on the filter bag until the filter bag opening is fully closed.

The filter bag is now securely closed and can be removed.

- ▶ Fit the top section of the machine and close the locking clips.

8.5 Changing the filter element [6]

- ▶ Pull out the used filter drawer [1-6].
- ▶ Dispose of the used filter drawer in accordance with statutory regulations.
- ▶ Insert the new filter drawer [1-6].

 Order numbers for accessories, filters and consumables in the Festool catalogue or online at "www.festool.com".

- **Only use original Festool accessories and consumables.** Only accessories tested and approved by Festool are safe and perfectly adapted to the machine and application.

NOTICE

Damage to the motor

- ▶ Never extract material without a main filter or with a damaged main filter, as this can damage the motor.

8.6 After finishing work

- ▶ Switch off the mobile dust extractor and pull out the mains plug.
- ▶ Vacuum and wipe the inside and outside of the mobile dust extractor to clean it.
- ▶ Empty the dirt trap.
- ▶ Wind up the mains power cable.
- ▶ Place the mains power cable [4-1] in the sealable depot. To do so, lay the power cable through the recess [4-2].
- ▶ Disconnect the suction hose [5-1] and fix it to the mobile dust extractor using the suction hose attachment [1-3].
- ▶ Regularly clean the fill level sensors [7-1] and check for damage.

- ▶ Place the mobile dust extractor in a dry room inaccessible to unauthorised users.
- i** The lid of the depot also serves as a storage area for tools.

9 Service and maintenance



WARNING

Risk of injury, electric shock

- ▶ Always pull the mains plug from the socket before performing any servicing and maintenance work.
- ▶ All maintenance and repair work which requires the motor housing to be opened should always be carried out by an authorised service workshop.



Customer service and repairs must only be carried out by the manufacturer or service workshops. Find the nearest address at:

www.festool.co.uk/service



Always use original Festool spare parts. Order no. at:

www.festool.co.uk/service

10 Environment



Do not dispose of the device in the household waste! Recycle devices, accessories and packaging. Observe applicable national regulations.

EU only: In accordance with the European Directive on waste electrical and electronic equipment and implementation in national law, used power tools must be collected separately and handed in for environmentally friendly recycling.

Information about collection points for correct disposal is available at www.festool.co.uk/recycling.

Information on REACH: www.festool.co.uk/reach

11 General information

Imported into the UK by

Festool UK Ltd
1 Anglo Saxon Way
Bury St Edmunds
IP30 9XH
Great Britain