



Precision Router Lift™

Owner's Manual

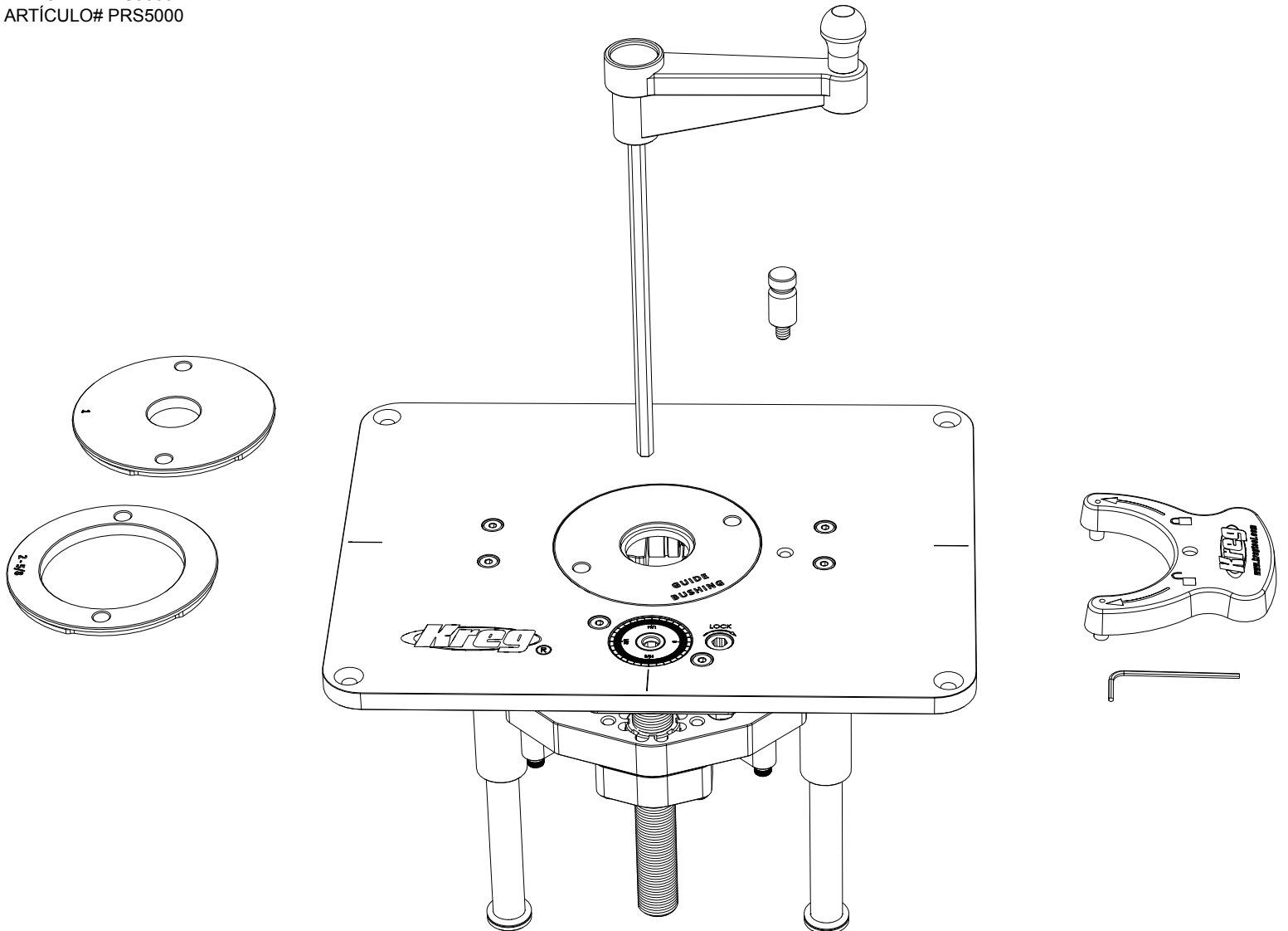
GUIDE D'UTILISATION

MANUAL DEL PROPIETARIO

ITEM# PRS5000

ARTICLE # PRS5000

ARTÍCULO# PRS5000



NK9273
Version 1 - 12/2017

General Safety Guidelines

⚠ WARNING When using electric tools, always follow the safety precautions below to reduce the risk of fire, electric shock, and personal injury. Read all these instructions before attempting to operate this product. **SAVE THESE INSTRUCTIONS.**

1) Work area safety

- Keep work area clean and well lit. Cluttered or dark areas invite accidents.
- Don't use power tools in a dangerous environment. Don't use power tools in damp or wet locations, or expose them to rain.
- Do not operate power tools in explosive atmospheres, such as in the presence of flammable liquids, gases or dust. Power tools create sparks that can ignite the fumes or dust.
- Keep children and bystanders away while operating a power tool. Distractions can cause you to lose control.
- Make your workshop child proof. Use padlocks, master switches, or remove starter keys.

2) Electrical safety

- Ground electric tools. If the tool is equipped with a three-prong plug, it must be plugged into a grounded three-hole electrical outlet. If the proper outlet is not available, have one installed by a qualified electrician. Never remove the third prong or modify the provided plug in any way.
- Do not expose power tools to rain or wet conditions. Water entering a power tool increases the risk of electric shock.
- Do not abuse the cord. Never use the cord for carrying, pulling or unplugging the power tool. Keep cord away from heat, oil, sharp edges or moving parts. Damaged or entangled cords increase the risk of electric shock.
- Use a proper extension cord and make sure it is in good condition. When using an extension cord, be sure to use one heavy enough to carry the current your power tool draws. An undersized cord causes a drop in line voltage resulting in loss of power and overheating. Table 1 shows the correct cord gauge to use depending on cord length and tool nameplate ampere rating. If in doubt, use the next heavier gage. The smaller the number, the heavier the cord.
- When operating electric tools, avoid body contact with grounded or earthed surfaces such as pipes, radiators, kitchen ranges, and refrigerators. Contact with a grounded surface increases the risk of electric shock.

3) Personal safety

- Stay alert, watch what you are doing and use common sense when operating a power tool. Do not use a power tool while you are tired or under the influence of drugs, alcohol or medication. A moment of inattention while operating power tools can result in serious personal injury.
- Always wear safety glasses. Everyday eyeglasses are not safety glasses. Safety glasses have specially constructed lenses, frames, and side shields.
- Use safety equipment. Use a face or dust mask when the cutting operation is dusty. Safety equipment such as a dust mask, non-skid safety shoes, hard hat, or hearing protection used for appropriate conditions reduces personal injuries.
- Avoid accidental starting. Make sure the switch is in the off-position before plugging in. Carrying power tools with your finger on the switch or plugging in power tools that have the switch on invites accidents.
- Remove any adjusting key or wrench before turning the power tool on. A wrench or a key left attached to a rotating part of the power tool can result in personal injury.
- Do not overreach. Keep proper footing and balance at all times. This enables better control of the power tool in unexpected situations.
- Secure workpieces. Use clamps or a vise to hold work when practical. This is safer than using your hand and it frees both hands to operate the tool.
- Never stand on the machine. Serious injury can occur if the tool tips or if the cutting tool is unintentionally contacted.
- Dress properly. Do not wear loose clothing or jewelry. Keep your hair, clothing and gloves away from moving parts. Loose clothes, jewelry or long hair can be caught in moving parts. Roll up long sleeves to the elbow. Wear protective hair covering to contain long hair.
- If devices are provided for the connection of dust extraction and collection equipment, ensure these are connected and properly used. Use of these devices reduces dust-related hazards.

4) Power tool use and care

- Keep guards in place and in working order.
- Do not force the power tool. Use the correct power tool for your application. The correct power tool will do the job better and safer at the rate for which it was designed.
- Use the right tool. Don't force a tool or attachment to do a job for which it was not designed.
- Do not use the power tool if the switch does not turn it on and off. Any power tool that cannot be controlled with the switch is dangerous and must be repaired.
- Disconnect the plug from the power source and/or the battery pack from the power tool before making any adjustments, changing accessories, or storing power tools. Such preventive safety measures reduce the risk of starting the power tool accidentally.
- Never leave a tool running unattended. Turn power off. Do not leave the tool until it comes to a complete stop.
- Store idle power tools out of the reach of children and do not allow persons unfamiliar with the power tool and these instructions to operate the power tool. Power tools are dangerous in the hands of untrained users.
- Maintain power tools. Check for misalignment or binding of moving parts, broken parts, and any other condition that can affect power tool operation. If damaged, have the power tool repaired before use. Many accidents are caused by poorly maintained power tools.
- Keep cutting tools sharp and clean. Properly maintained cutting tools with sharp cutting edges are less likely to bind and are easier to control.
- Use the recommended speed for the cutting tool or accessory and workpiece material.
- Only use parts and accessories recommended by the manufacturer. Consult the owner's manual for recommended accessories. Using improper accessories can cause personal injury.
- Use the power tool, accessories, and tool bits in accordance with these instructions and in the manner intended for the particular type of power tool, taking into account the working conditions and the work to be performed. Use of the power tool for operations different from those intended can result in a hazardous situation.

5) Service

- Have your power tool serviced by a qualified repair person using only identical replacement parts. This ensures that the safety of the power tool is maintained.

6) SAFETY INSTRUCTIONS SPECIFIC TO USING THE PRECISION ROUTER LIFT INSTALLED IN A ROUTER TABLE

- Read, understand, and follow your router manufacturer's safety warnings and instructions.
- Disconnect the router from power before making adjustments. Never adjust the fence, plate, reducing rings, or any part of the router or router table while the router is running.
- Place the router table on a flat surface to prevent tipping or sliding. Never stand on the router table.
- Do not attempt to rout warped, twisted, or bowed workpieces. All workpieces must have flat faces and square edges.
- Do not attempt to rout very large workpieces on a router table. Very large workpieces can be difficult to control and can cause the router table to tip over.
- Only use router bits in your router. Never use tools such as carving burrs, mounted abrasives, wire wheels, or drill bits, even if the shanks match the diameter of the router collet.
- Wear gloves when handling router bits. Cutting edges are sharp.
- Never use dirty, dull, or damaged router bits. Remove wood-resin build-up with a cleaner specifically formulated for cutting tools. Have dull bits sharpened by a qualified person. Discard damaged bits.
- Make sure at least 75% of the router-bit shank length is securely held in the router collet. To ensure a secure hold, leave $\frac{1}{16}$ " to $\frac{1}{8}$ " (2mm-3mm) between the end of the bit shank and the bottom of the collet.
- Use the insert ring with the smallest opening that allows the bit to pass through it. A large gap around the bit can allow the workpiece to tip into the bit and kick back.
- Position the fence faces as close as possible to the bit. Turn the bit by hand to check for interference. Firmly tighten the fence-face T-knobs before routing.
- Adjust router speed to match the diameter of the bit. Reduce router speed when using large-diameter bits. See **Table 2** for recommended router speeds.
- Make sure the router motor is securely clamped in the base before starting the router.

General Safety Guidelines

- n) Always support the workpiece with the fence or starter pin. Only use the starter pin with router bits that have a guide bearing.
- o) When using the fence, always position the bit guard over the router bit and as close to the workpiece surface as possible.
- p) Never remove a large quantity of stock in one cut. Make several progressively deeper cuts, adjusting the router bit or fence position between cuts.
- q) Keep hands away from the rotating bit and your body out of the path of the cut. Always use the bit guard. Use push sticks, push blocks, and feather boards whenever possible, especially when routing narrow workpieces. Turn off the router before clearing parts or scrap.
- r) Avoid awkward hand positions, where a sudden slip could cause contact with the rotating bit. Never overreach.
- s) Avoid routing small parts. Rout the profile on a large workpiece and then cut the part to final size from the large workpiece.
If you must rout a small part, build an appropriate jig or hold the part with a wood handscrew clamp.
- t) Make sure the workpiece is clear of the bit and the bit comes to a complete stop before adjusting the workpiece position.
Never start the router with the workpiece in contact with the bit.
- u) Avoid kickbacks. Kickbacks occur when the workpiece binds or lifts off the table while being routed, causing it to be thrown back toward the operator. To avoid kickbacks and potential injury, use sharp bits, keep the machine aligned and properly maintained, and adequately support the workpiece. Do not attempt to rout workpieces that are twisted, warped, or bowed, or that have loose knots.
- v) Feed the workpiece against (not with) the bit rotation.
The bit can grab a workpiece fed with the rotation of the bit, violently eject it from the router table, and can cause your hand to contact the bit.
- w) Never trap a workpiece between the bit and the fence. When forming a profile on the straight edge of a workpiece, always rout with the bit housed in the fence and the edge of the workpiece against the fence.
- x) Whenever routing a profile in which material is not being removed below a protruding portion of the bit, or a part of the profile is trapped between cutters above and below, take extra precautions to prevent the workpiece from lifting off the table surface during routing. A workpiece lifting off the table can kick back and cause serious personal injury. When routing these profiles, it is especially important to use straight, flat stock and avoid warped, bowed, or twisted stock.
- y) Periodically check the tightness of fasteners and adjustment and locking knobs and the alignment of the fence.
Loose fasteners and knobs and a misaligned fence may cause personal injury.
- z) This router lift is designed for a specific application. Do not modify and/or use it for any other application.
If you have questions relative to the application of the lift, DO NOT use it until you have contacted Kreg Tool Company and have been advised accordingly.

Guidelines for extension cord use

Extension cords are only to be used for temporary purposes. They do not replace the need for installation of outlets and proper wiring where necessary.

In the shop and on construction sites:

1. Extension cords with an equipment grounding conductor must be used at all times.
2. Extension cords must be protected from damage, and not run through doorways or windows where the doors or windows can close, causing damage to the cord.
3. Extension cords must be a minimum of 16 AWG and be rated for the equipment in use.
4. Extension cords must be periodically inspected to ensure that the insulation and conductivity of the wires are not compromised.
5. Extension cords should not be run through water or allowed to have connections that may be exposed to accumulated water.

TABLE 1

Nameplate Amperes @120 V	Extension Cord Length					
	25'	50'	75'	100'	150'	200'
	Recommended Wire Gauge					
0 - 5	16	16	16	14	12	12
5.1 - 8	16	16	14	12	10	NR
8.1 - 12	14	14	12	10	NR	NR
12.1 - 16	12	12	NR	NR	NR	NR

NR – Not Recommended

TABLE 2

Recommended Router Bit Speeds	
Bit Diameter	Maximum Speed (RPM)
Up to 1" (25mm)	24,000
1 ¼" to 2" (32mm-51mm)	18,000
2 ¼" to 2 ½" (57mm-64mm)	16,000
3" to 3 ½" (76mm-89mm)	12,000

Always follow bit manufacturer's speed recommendations.
Some bit designs require specific speeds for safety or performance.

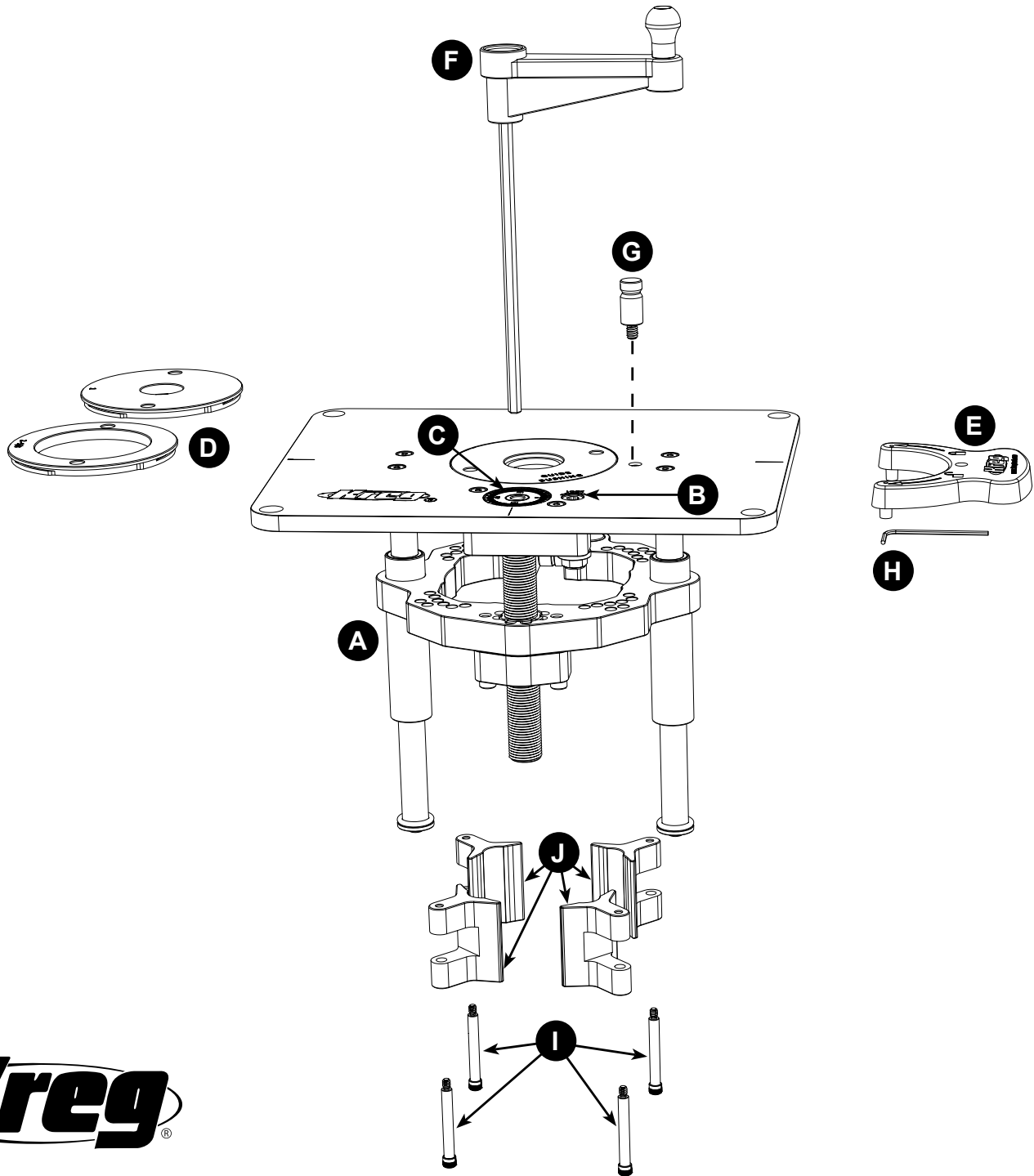
⚠ WARNING This product can expose you to chemicals including acrylonitrile and others, which are known to the State of California to cause cancer and birth defects. For more information go to www.P65Warnings.ca.gov.

⚠ WARNING Dust created by sanding, sawing, grinding, drilling, and other construction activities may contain chemicals known to the State of California to cause cancer and birth defect or other reproductive harm. Examples of these chemicals are:

- Lead from lead-based paints
- Crystalline silica from bricks, cement, and other masonry products
- Arsenic and chromium from chemically treated lumber

Your risk from exposure to these chemicals depends on how often you do this type of work. To reduce exposure, work in a well-ventilated area with approved safety equipment, such as a dust mask specifically designed to filter out microscopic particles.

Parts

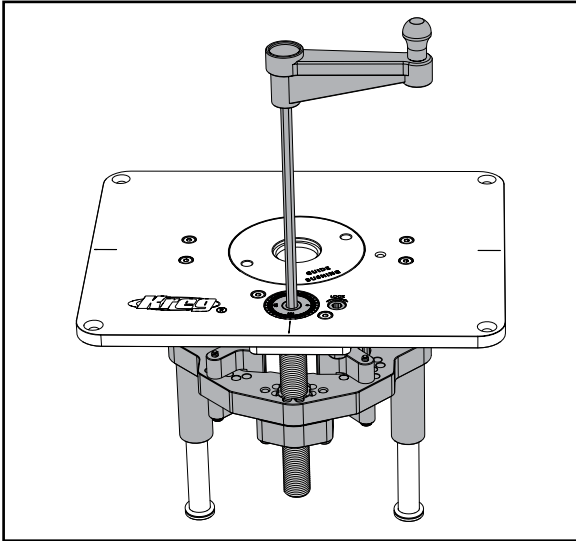


Parts

A	1	Carriage	F	1	Crank
B	1	Carriage Lock	G	1	Starting Pin
C	1	Micro-adjustment dial	H	1	Hex Wrench
D	3	Insert Rings	I	4	Shoulder Bolts
E	1	Ring Wrench	J	4	Clamp Blocks

Setup

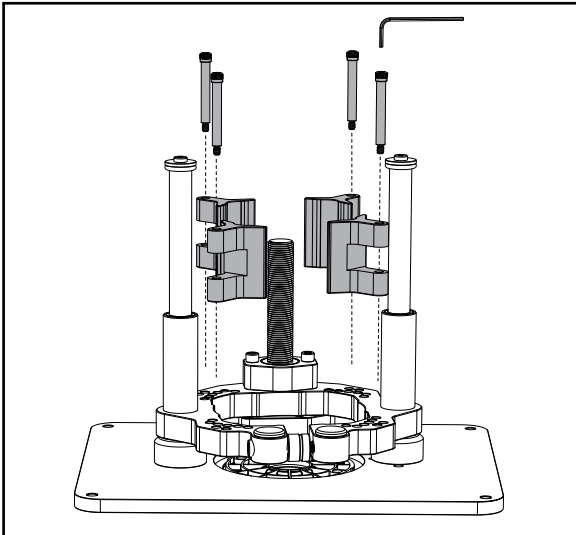
Position the Clamp Blocks



⚠ ATTENTION The Kreg Precision Router Lift can be installed in a router table with a straight-sided opening equipped with Kreg Precision Router Table Insert Plate Levelers or in a rabbeted opening sized to support the edges of the router lift plate.

STEP 1: With the lift right side up, insert the crank shaft into the LOCK bushing and turn it counterclockwise to unlock the carriage. Insert the crank shaft into the bushing at the center of the micro-adjustment dial. Raise the motor carriage until it contacts the O-rings at the tops of the carriage shafts.

⚠ ATTENTION The carriage lock rotates approximately $\frac{1}{2}$ turn.



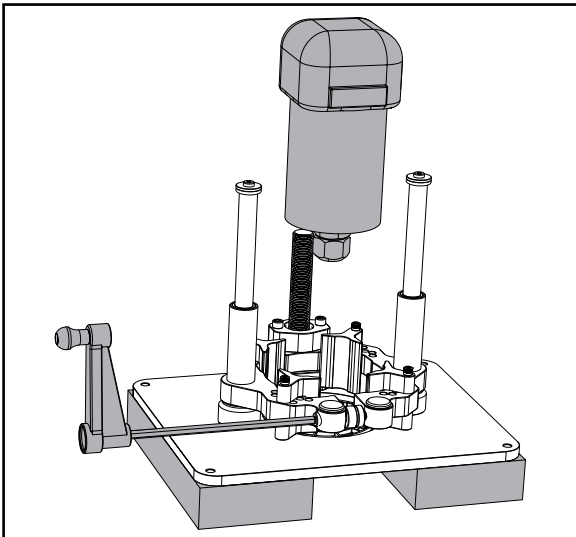
STEP 2: Turn the lift upside down. Use the hex wrench to remove the shoulder bolts securing the clamp blocks to the carriage. Referring to **Table 3**, reinstall the clamp blocks in the numbered-hole pattern indicated for your router.

⚠ ATTENTION If your router is not listed, measure the diameter of the motor and install the clamp blocks in the number pattern that matches that diameter.

TABLE 3

Clamp Block Locations		
Hole Pattern	Router	Motor Diameter
1	Porter-Cable 7518	4.2"
2	Milwaukee 5626	4.143"
3	Hitachi M12VC, KM12VC	3.267"
4	Milwaukee 5615, 5616, 5619	3.32"
5	Porter-Cable 690, 890 Craftsman 17543, 17540, 28190 Bosch 1617, 1618 DeWalt 610, 616, 618	3.5"
6	Ridgid R29302	3.625"
7	Felisatti RF62	3.675"
8	Makita 1101	3.218"

Install the Router Motor



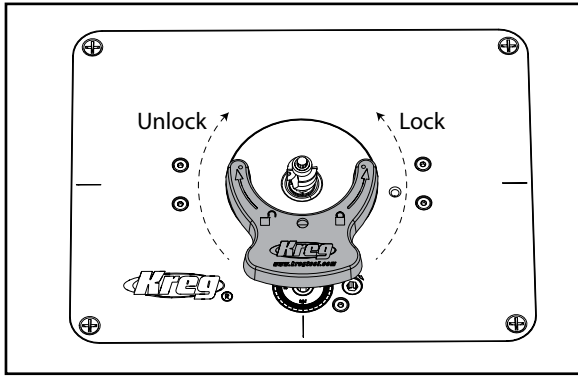
STEP 1: Install the insert ring with the $2\frac{5}{8}$ " opening in the router plate. (See Insert rings in the USING THE LIFT section.)

STEP 2: Place the lift upside down on scrapwood blocks tall enough to allow the router collet to extend through the insert ring. Use the crank to loosen the motor-clamp screw and slightly spread the carriage. Slide the router motor into the carriage until it rests on the insert ring. Orient the motor to provide convenient access to the controls when the lift is installed in the router table with the Kreg logo on the lift plate toward the front. Raise the motor $\frac{1}{16}$ " off the insert ring and tighten the motor-clamp screw.

STEP 3: Turn the lift right side up and install it in your router table.

Using the Lift

Insert Rings



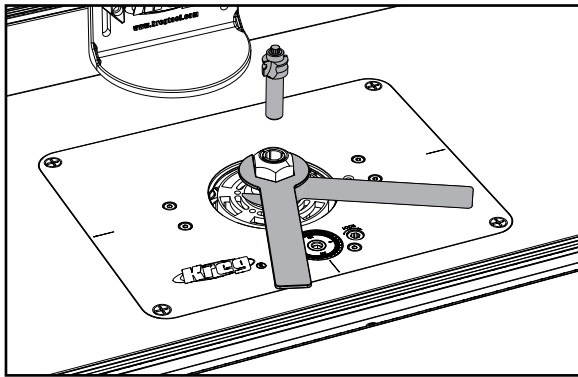
STEP 1: To install an insert ring, place it into the lift-plate opening and turn it by hand until it drops flush with the plate surface. Turn the ring counterclockwise with the ring wrench.

STEP 2: To remove an insert ring, turn it clockwise with the ring wrench. Lift the ring out of the opening.

⚠ ATTENTION The lift includes three insert rings for flexibility in matching the size of the opening to the diameter of the router bit in use. The ring with the rabbeted opening accepts universal-style guide bushings, allowing you to use your router table for pattern routing.

⚠ WARNING Always use the insert ring with the opening size closest to the diameter of the router bit in use.

Bit Installation

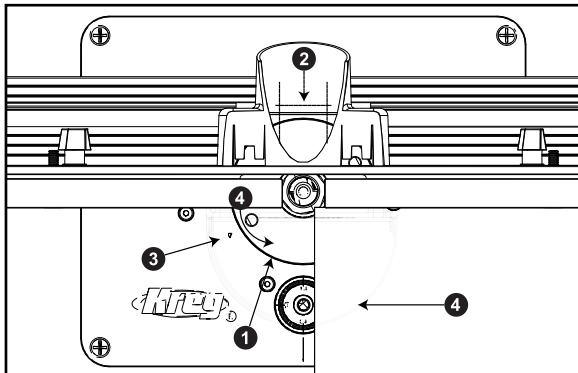


STEP 1: Remove the insert ring and raise the carriage to the full-up position. Use the wrenches supplied with your router to install the bit.

STEP 2: Lower the carriage and replace the insert ring. Raise or lower the carriage to position the bit and turn the LOCK bushing clockwise.

⚠ WARNING Always tighten the carriage lock before routing.

General Routing



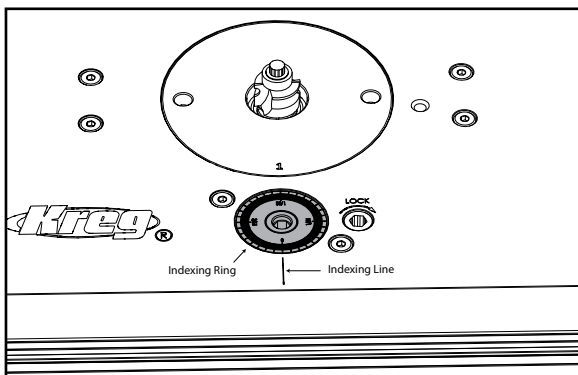
1: Use the insert-plate reducing ring with the smallest opening that allows the bit to pass through it.

2: Position the fence faces as close as possible to the bit. Turn the bit by hand to check for interference. Firmly tighten the fence-face T-knobs before routing.

3: Position the bit guard over the router bit and as close to the workpiece surface as possible.

4: Feed the workpiece against (not with) the bit rotation.

Fine Adjustment

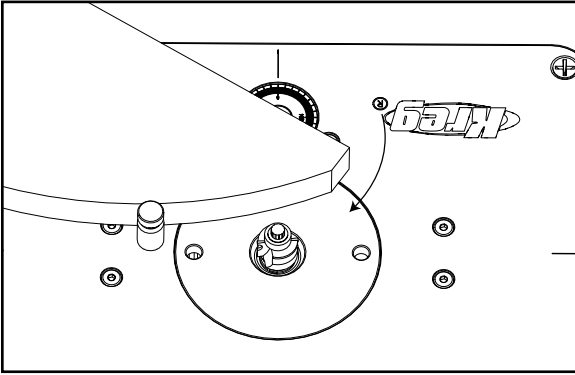


STEP 1: With the bit at the desired height and the carriage locked, use your fingers to turn the micro-adjustment dial until the zero mark aligns with the indexing line on the router-lift plate. Test the setup on a scrap workpiece and shut off the router.

STEP 2: Unlock the carriage and raise or lower the carriage as needed. One full turn of the crank equals $\frac{1}{16}$ " difference in bit height.

Using the Lift

Starting Pin

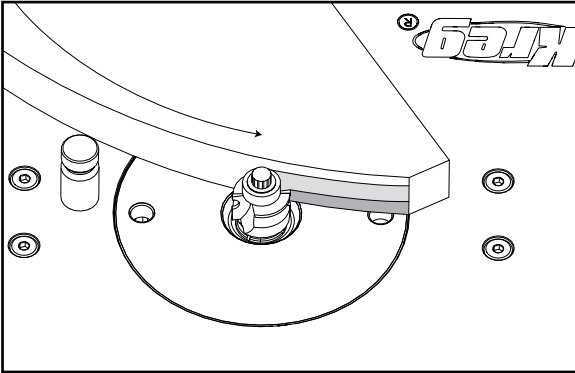


STEP 1: Install the starting pin in the threaded hole adjacent to the insert-ring opening.

STEP 2: Turn on the router. With your workpiece touching the pin, but not in contact with the router bit, slowly pivot the workpiece into the bit until the workpiece makes contact with the bit guide bearing.

STEP 3: With the workpiece in solid contact with the guide bearing, ease the workpiece off of the starting pin and feed the workpiece along the guide bearing. Always feed the workpiece so the router bit rotates against (not with) the feed direction.

⚠ WARNING Use the starting pin when routing along curved edges and only with router bits that have a guide bearing. When routing along straight edges, always use the fence.



Kreg Precision Beaded Face-Frame System

With the lift installed in a router table in the normal orientation (Kreg logo toward the front), the sliding base of the Beaded Face-Frame System covers the carriage height-adjustment and lock mechanisms. To provide access to these features, rotate the router lift 180° in the router-table opening.

⚠ WARNING When rotating the lift in the router-table opening, you must equip your router table with a table-mounted power switch or rotate the router motor in the lift to maintain access to the switch on the motor.

Maintenance

- Periodically check the posts and adjustment screw for debris buildup and rust.
- Clean the posts with a clean cloth. Dissolve built-up wood resins with penetrating oil.
- Remove rust from the posts with a very fine non-woven abrasive pad. Do not use sandpaper, files, or liquid rust remover; using these will permanently damage the lift.
- After removing loose debris, apply penetrating oil to the adjustment screw, clean the threads with a toothbrush, and wipe the screw with a rag.
- After cleaning the posts and lift screw, lubricate them with light machine oil.

⚠ ATTENTION Vibration can be caused by rust on a router-bit shank, a worn or damaged collet or collet nut, a scored collet taper, a worn router bearing, or a damaged or out-of-balance router bit. Repair or replace worn or damaged router parts and replace damaged or out-of-balance router bits.

Consignes de sécurité générales

⚠ AVERTISSEMENT Lorsque vous utilisez des outils électriques, suivez toujours les consignes de sécurité ci-dessous afin de réduire le risque d'incendie, de choc électrique et de blessure. Assurez-vous de lire toutes les instructions avant de tenter d'utiliser cet appareil. **CONSERVEZ CES INSTRUCTIONS.**

1) Mesures de sécurité dans l'aire de travail

- L'aire de travail doit être propre et bien éclairée. Une aire de travail encombrée et peu éclairée augmente le risque d'accident.
- N'utilisez pas un outil électrique dans un environnement dangereux. N'utilisez pas d'outils électriques dans un endroit mouillé ou humide et ne les exposez pas à la pluie.
- N'utilisez pas d'outils électriques dans un milieu explosif, par exemple où il y a présence de liquides, de vapeurs ou de poussières inflammables. Les outils électriques produisent des étincelles pouvant enflammer les vapeurs ou les poussières.
- Gardez les enfants et les autres personnes à l'écart lorsque vous utilisez un outil électrique. Une distraction peut vous faire perdre la maîtrise de l'outil.
- Empêchez les enfants d'accéder à votre atelier. Utilisez des cadenas et un interrupteur général, ou retirez les clés du commutateur d'allumage.

2) Consignes de sécurité relatives à l'électricité

- Branchez les outils électriques sur une prise mise à la terre. Un outil muni d'une fiche à trois broches ne doit être branché que sur une prise de courant à trois alvéoles mise à la terre. Si vous ne disposez pas d'une telle prise, demandez à un électricien qualifié d'en installer une. Ne retirez jamais la troisième broche et ne modifiez jamais la fiche.
- N'exposez pas les outils électriques à la pluie ou à tout autre environnement humide. Les risques de choc électrique sont plus élevés si l'eau s'infiltré dans un outil électrique.
- N'utilisez pas le cordon d'alimentation de façon abusive. Ne transportez jamais un outil électrique en le tenant par son cordon ou ne tirez jamais sur le cordon pour le débrancher. Tenez le cordon d'alimentation éloigné des sources de chaleur, de l'huile, des objets coupants et des pièces mobiles. Les risques de choc électrique sont plus élevés si le cordon d'alimentation est endommagé ou emmêlé.
- Utilisez une rallonge appropriée et assurez-vous qu'elle est en bon état. Utilisez une rallonge qui convient au courant consommé par l'outil. Une rallonge de calibre insuffisant entraînera une baisse de la tension secteur, une perte de puissance et une surchauffe. Le tableau 1 de la page suivante indique le calibre de la rallonge approprié selon la longueur de la rallonge et l'intensité nominale inscrite sur la plaque signalétique de l'outil. En cas de doute, utilisez une rallonge de calibre supérieur. Plus le numéro du calibre est bas, plus la rallonge est résistante.
- Lorsque vous utilisez des outils électriques, évitez de toucher à des surfaces mises à la terre, par exemple un tuyau, un radiateur, une cuisinière ou un réfrigérateur. Le contact de votre corps avec une surface mise à la terre augmente les risques de choc électrique.

3) Sécurité personnelle

- Soyez vigilant, prêtez attention à ce que vous faites et usez de votre jugement lorsque vous utilisez un outil électrique. N'utilisez pas un outil électrique lorsque vous êtes fatigué ou sous l'effet de drogues, d'alcool ou de médicaments. Un moment d'inattention pendant que vous utilisez des outils électriques peut occasionner des blessures graves.
- Portez toujours des lunettes de sécurité. Les lunettes ordinaires ne sont pas des lunettes de sécurité. En plus d'être pourvues d'écrans latéraux, les lunettes de sécurité sont munies d'une monture et de verres spéciaux.
- Utilisez de l'équipement de sécurité. Portez un masque facial ou un masque antipoussières quand la coupe produit beaucoup de poussière. Le port d'équipement de sécurité, comme un masque antipoussières, des chaussures de sécurité antidérapantes, un casque de protection et des protecteurs auditifs, lorsque les conditions l'exigent, réduit les risques de blessures.
- Évitez les mises en marche accidentelles de l'appareil. Assurez-vous que l'interrupteur de l'outil est à la position d'arrêt avant de le brancher. Le fait de transporter un outil électrique en gardant le doigt sur l'interrupteur ou de le brancher tandis que son interrupteur est en position de marche augmente les risques d'accident.
- Retirez toutes les clés de réglage de l'outil électrique avant de mettre celui-ci en marche. Une clé de réglage oubliée sur une pièce rotative de l'outil électrique peut occasionner des blessures corporelles.
- Ne vous étirez pas pour étendre votre portée. Gardez une posture sécuritaire et un bon équilibre en tout temps. Cela vous permet de mieux maîtriser l'outil électrique lorsque des situations inattendues se présentent.
- Assurez-vous que la pièce à travailler est bien fixée. Utilisez des serre-joints ou un étau pour fixer la pièce sur laquelle vous travaillez, au besoin. Cette technique est plus sécuritaire que l'utilisation de vos mains et vous permet de garder les mains libres pour faire fonctionner l'outil.
- Ne vous tenez jamais debout sur la machine. Des blessures graves peuvent survenir s'il se renverse ou si l'outil tranchant est accidentellement mis en marche.
- Habilitez-vous de manière appropriée. Ne portez pas de vêtements amples ni de bijoux. Gardez vos cheveux, vos vêtements et vos gants loin des pièces mobiles. Les vêtements amples, les bijoux et les cheveux longs risquent de se prendre dans les pièces en mouvement. Roulez vos manches jusqu'aux coudes. Portez une coiffe de protection pour retenir les cheveux longs.
- Si un dispositif permet de raccorder un dépoussiéreur, assurez-vous que celui-ci est branché et utilisé correctement. L'emploi d'un dépoussiéreur contribue à réduire les dangers liés à la poussière.

4) Utilisation et entretien d'un outil électrique

- Assurez-vous que les protecteurs sont bien en place et en état de fonctionnement.
- Ne forcez pas l'outil électrique. Utilisez l'outil électrique approprié à l'utilisation que vous envisagez. L'utilisation de l'outil électrique approprié permet d'obtenir de meilleurs résultats, de façon plus sécuritaire, selon le régime de fonctionnement prévu.
- Utilisez le bon outil. Ne tentez pas d'utiliser un outil ou l'un de ses accessoires pour effectuer un travail pour lequel il n'est pas conçu.
- N'utilisez pas l'outil électrique si l'interrupteur ne fonctionne pas. Tout outil qui ne peut pas être contrôlé par l'interrupteur est dangereux et doit être réparé.
- Débranchez la fiche de la prise ou retirez le bloc-piles de l'outil électrique avant d'effectuer des réglages, de changer d'accessoire ou de ranger l'outil. De telles mesures de sécurité préventives réduisent les risques de mise en marche accidentelle de l'outil électrique.
- Ne laissez jamais l'outil en marche sans supervision. Coupez l'alimentation électrique. Ne vous éloignez pas de l'outil tant qu'il ne s'est pas complètement arrêté.
- Rangez les outils électriques inutilisés hors de la portée des enfants et ne laissez pas les personnes ne connaissant pas bien l'outil et ces instructions utiliser ce dernier. Les outils électriques sont dangereux s'ils se retrouvent entre les mains d'utilisateurs inexpérimentés.
- Entretenez les outils électriques. Vérifiez les pièces mobiles pour vous assurer qu'elles ne sont pas désalignées, enrayées, brisées ou dans un état qui pourrait nuire au fonctionnement de l'outil électrique. Si elles sont endommagées, faites-les réparer avant d'utiliser l'outil électrique. De nombreux accidents sont provoqués par des outils électriques mal entretenus.
- Gardez vos outils tranchants affûtés et propres. Des outils tranchants bien entretenus et dont les lames sont affûtées risquent moins de se bloquer et sont plus faciles à maîtriser.
- Utilisez la vitesse recommandée pour l'outil de coupe, l'accessoire et la pièce à travailler.
- N'utilisez que des pièces et des accessoires recommandés par le fabricant. Consultez la liste des accessoires recommandés dans le guide d'utilisation. L'utilisation d'accessoires inappropriés peut causer des blessures.
- Utilisez l'outil électrique, les accessoires, et les embouts conformément aux instructions et aux fins pour lesquelles l'outil a été conçu, en tenant compte des conditions de travail et des tâches à effectuer. L'utilisation de l'outil électrique à des fins autres que celles pour lesquelles il a été conçu risque d'entraîner une situation dangereuse.

5) Entretien

- Demandez à un technicien qualifié qui utilise seulement des pièces de rechange identiques aux pièces d'origine d'effectuer l'entretien de votre outil électrique. Vous vous assurez ainsi de respecter les consignes de sécurité de l'outil électrique.

6) CONSIGNES DE SÉCURITÉ PROPRES À L'UTILISATION DU DISPOSITIF DE LEVAGE POUR TOUPIE DE PRÉCISION INSTALLÉ SUR UNE TABLE À TOUPIE

- Veuillez lire toutes les instructions et consignes de sécurité du fabricant de votre toupie. Assurez-vous également de les comprendre et de les suivre.
- Débranchez la toupie avant d'effectuer des réglages. N'ajustez jamais le guide, le niveau de la plaque, les anneaux de réduction ou toute autre pièce de la toupie ou de la table à toupie pendant que la machine est en marche.
- Placez la table à toupie sur une surface plane afin d'éviter qu'elle ne glisse ou ne bascule. Ne vous tenez jamais debout sur la table à toupie.
- Ne tentez pas de toupiller des pièces tordues ou arquées. Toutes les faces des pièces doivent être plates et tous leurs bords, droits.
- Ne tentez pas de toupiller des pièces de très grand format sur une table à toupie. Celles-ci sont difficiles à maîtriser et peuvent faire basculer la table à toupie.
- N'utilisez que des fraises à toupie avec votre toupie. Ne l'utilisez jamais avec des outils comme des outils à ciseler, des abrasifs, des brosses métalliques circulaires ou des forets, même si le diamètre de leur tige correspond à celui du mandrin de la toupie.
- Portez des gants lorsque vous manipulez des fraises à toupie. Leurs tranchants sont coupants.

Consignes de sécurité générales

- h) N'utilisez jamais des fraises de toupie sales, émoussées ou endommagées. Retirez toute accumulation de résine avec un nettoyant spécialement formulé pour les outils tranchants. Faites aiguiser les fraises émoussées par une personne qualifiée. Jetez toute fraise endommagée.
- i) Assurez-vous qu'au moins 75 % de la tige de la fraise de toupie est enfoncée dans le mandrin de la toupie et qu'elle y est solidement fixée. Pour une fixation solide, laissez de 1,58 mm à 3,17 mm ($\frac{1}{16}$ po à $\frac{1}{8}$ po) entre l'extrémité de la tige de la fraise et le fond du mandrin.
- j) Utilisez l'anneau d'insertion dont l'ouverture est la plus petite possible tout en restant supérieure au diamètre de la fraise. En effet, une ouverture trop grande pourrait laisser la pièce travaillée basculer dans la fraise et provoquer un rebond.
- k) Placez la surface du guide le plus près possible de la fraise. Tournez manuellement la fraise afin de vérifier que rien n'entrave son fonctionnement. Serrez fermement les boutons en T de la surface du guide avant d'utiliser la toupie.
- l) Ajustez la vitesse de la toupie de façon à ce qu'elle corresponde au diamètre de la fraise. Diminuez sa vitesse pour des fraises au grand diamètre. Consultez le **tableau 2** pour connaître les vitesses recommandées.
- m) Avant de démarrer la toupie, assurez-vous que le moteur est solidement fixé à la base.
- n) Tenez toujours la pièce travaillée en place à l'aide du guide ou de la cheville de départ. N'utilisez la cheville de départ qu'avec les fraises de toupie à roulement-guide.
- o) Quand vous utilisez le guide, placez toujours le protecteur de fraise sur la fraise de toupie et le plus près possible de la surface de la pièce à travailler.
- p) Ne coupez jamais une grande quantité de bois en une seule coupe. Effectuez plutôt plusieurs coupes de plus en plus profondes. Ajustez la position du guide ou de la fraise de toupie entre les coupes.
- q) Gardez vos mains éloignées de la fraise en rotation et votre corps hors de la trajectoire de coupe. Utilisez toujours le protecteur de fraise. Utilisez des poussoirs, des blocs-poussoirs et des guides d'appui dans la mesure du possible, surtout pour toupiller les pièces étroites. Arrêtez la toupie avant de nettoyer les pièces ou d'enlever les retailles.
- r) Évitez de placer les mains à un endroit où elles risquent d'entrer en contact avec le foret si la pièce glisse soudainement. Ne vous étirez jamais pour étendre votre portée.
- s) Évitez de toupiller des pièces de taille réduite. Toupillez le profil sur une grande pièce, puis coupez la pièce aux dimensions voulues à partir de la grande pièce. Si vous devez absolument toupiller une petite pièce, concevez un gabarit approprié à cette tâche ou fixez la pièce à l'aide d'un serre-joint à main pour projets de menuiserie.
- t) Assurez-vous que la fraise est dégagée de la pièce et qu'elle est complètement arrêtée avant d'ajuster la position de la pièce. Ne démarrez jamais la toupie si la pièce à travailler est en contact avec la fraise.
- u) Prévenez les rebonds. Ceux-ci se produisent lorsque la pièce travaillée se coince ou se soulève pendant qu'elle est engagée dans la toupie, ce qui risque de la projeter vers l'utilisateur. Afin d'éviter les rebonds (et possiblement les blessures), utilisez toujours des fraises bien affûtées, maintenez la machine bien alignée et entretenue et placez la pièce à travailler de manière sécuritaire avec un bon support. Ne toupillez pas des pièces tordues, arquées ou qui comportent des nœuds sautants.
- v) Faites glisser la pièce travaillée de façon à ce que la fraise tourne dans le sens contraire de la rotation. La fraise pourrait saisir une pièce alimentée dans le sens de rotation de la fraise, l'éjecter violemment de la table à toupie et entraîner un contact entre votre main et la fraise.
- w) N'insérez jamais une pièce à travailler entre la fraise et le guide. Pendant le profilage du bord droit d'une pièce, toupillez toujours avec la fraise insérée dans le guide et le bord de la pièce appuyé contre le guide.
- x) Si les matériaux ne sont pas évacués sous la partie saillante de la fraise pendant le profilage, ou si une partie du profil est coincée entre les lames du dessus et du dessous, prenez des précautions particulières pour empêcher la pièce travaillée de se soulever de la table pendant le toupillage. Une pièce travaillée qui se soulève de la table peut causer un rebond et de graves blessures. Pendant le profilage, il est particulièrement important d'avoir recours à des pièces droites et plates, et d'éviter celles qui sont tordues ou arquées.
- y) Vérifiez périodiquement que les fixations sont bien serrées, que les boutons de blocage sont bien ajustés et que le guide est bien aligné. Des fixations et des boutons desserrés et un guide mal aligné peuvent causer des blessures.
- z) Ce dispositif de levage pour toupie est conçu pour une utilisation précise. Ne le modifiez pas et ne l'utilisez pas à d'autres fins. Si vous avez des questions ayant trait à l'utilisation du dispositif de levage, NE l'utilisez PAS avant d'avoir communiqué avec Kreg Tool Company et d'avoir reçu tous les renseignements requis.

Instructions pour l'utilisation des rallonges

Les rallonges ne servent qu'à un usage temporaire. Elles ne remplacent pas la nécessité d'installer des prises ni d'effectuer le câblage lorsque c'est nécessaire

Dans l'atelier ou sur les chantiers de construction :

- Utilisez des rallonges munies d'un conducteur de mise à la terre en tout temps.
- Protégez les rallonges contre les dommages. Ne les faites pas passer par les portes ou les fenêtres, car celles-ci pourraient se refermer et endommager les rallonges.
- Choisissez des rallonges d'un calibre minimal de 16 AWG qui conviennent aux outils que vous utilisez.
- Inspectez périodiquement les rallonges afin de vous assurer que les fils sont bien isolés et que leur conductivité n'est pas compromise.
- Ne faites pas passer de rallonges dans l'eau et ne les raccordez pas dans des endroits où de l'eau pourrait s'accumuler.

TABLEAU 1

Plaque signalétique : ampères à 120 V	Longueur de la rallonge					
	7,62 m	15,24 m	22,86 m	30,48 m	45,72 m	60,96 m
	Calibre de câble recommandé					
0 à 5	16	16	16	14	12	12
5,1 à 8	16	16	14	12	10	NR
8,1 à 12	14	14	12	10	NR	NR
12,1 à 16	12	12	NR	NR	NR	NR

NR : non recommandé

TABLEAU 2

Vitesses recommandées de la fraise de toupie	
Diamètre de la fraise	Vitesse maximale (tr/min)
Jusqu'à 2,54 cm (1 po)	24 000
3,17 cm à 5,08 cm (1 $\frac{1}{4}$ po à 2 po)	18 000
5,71 cm à 6,35 cm (2 $\frac{1}{4}$ po à 2 $\frac{1}{2}$ po)	16 000
7,62 cm à 8,89 cm (3 po à 3 $\frac{1}{2}$ po)	12 000

Suivez toujours les recommandations en matière de vitesse du fabricant de la fraise. Certaines fraises nécessitent une vitesse précise pour des raisons de sécurité et de performance.

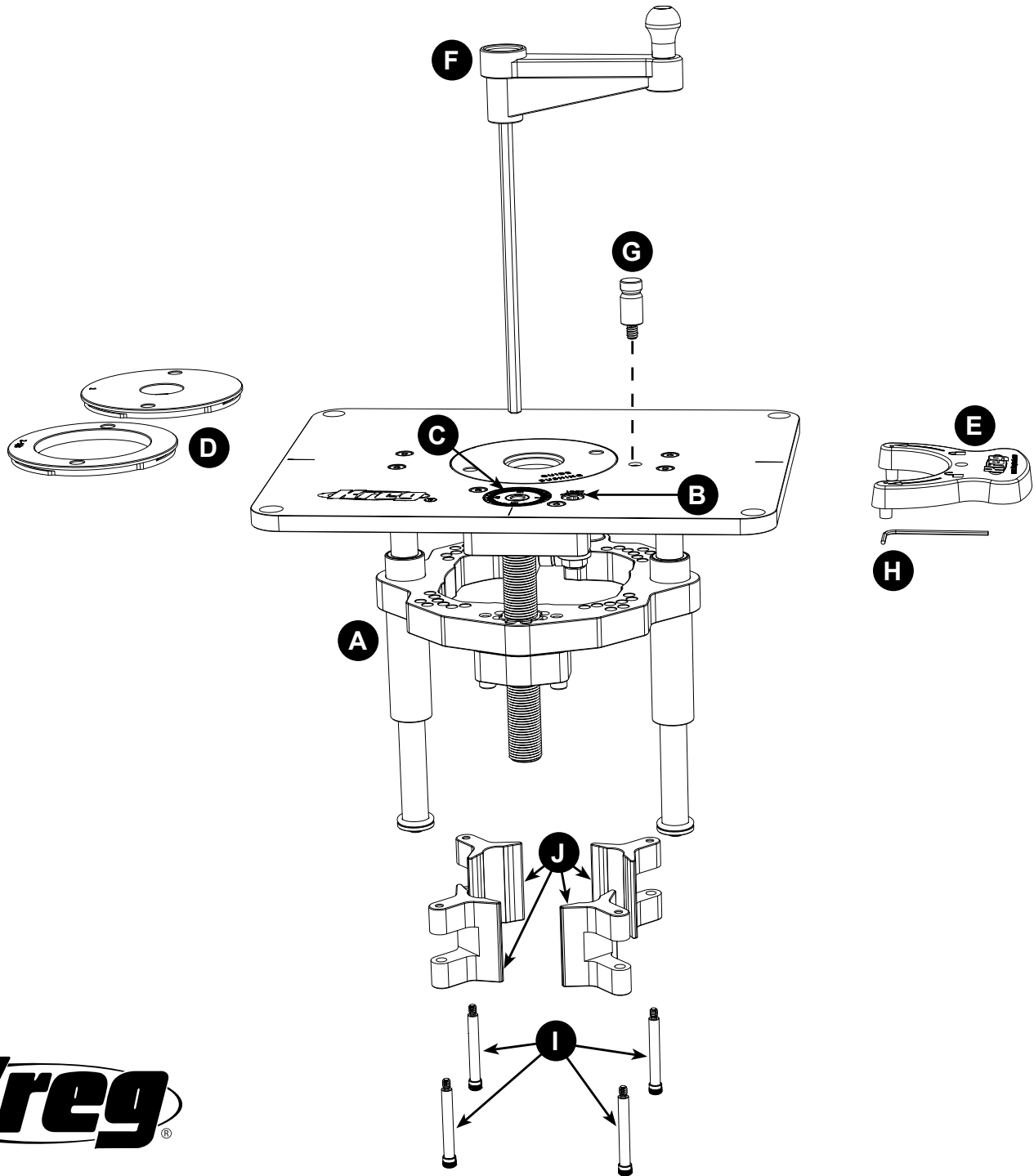
⚠ AVERTISSEMENT! Cet article peut vous exposer à des produits chimiques, notamment à l'acrylonitrile, reconnu par l'État de la Californie comme étant la cause de cancers, d'anomalies congénitales ou d'autres problèmes liés aux fonctions reproductrices. Pour plus de renseignements, rendez-vous au www.P65Warnings.ca.gov.

⚠ AVERTISSEMENT! La poussière causée par le ponçage, le sciage, le polissage, le perçage et d'autres activités liées à la construction peut contenir des produits chimiques reconnus par l'État de la Californie comme étant la cause de cancers et d'anomalies congénitales ou d'autres problèmes liés aux fonctions reproductrices. Voici quelques exemples de ces produits chimiques :

- plomb provenant de peintures à base de plomb;
- silice cristalline provenant de la brique, du ciment ou d'autres matériaux de maçonnerie;
- arsenic et chrome provenant du bois d'œuvre traité avec des produits chimiques.

Les risques liés à l'exposition à ces produits chimiques dépendent du nombre de fois où vous effectuez ces types de travaux. Afin de limiter votre exposition à ces produits, travaillez dans un endroit bien ventilé en vous munissant d'un équipement de sécurité approuvé tel qu'un masque antipoussières conçu spécialement pour filtrer les particules microscopiques.

PIÈCES

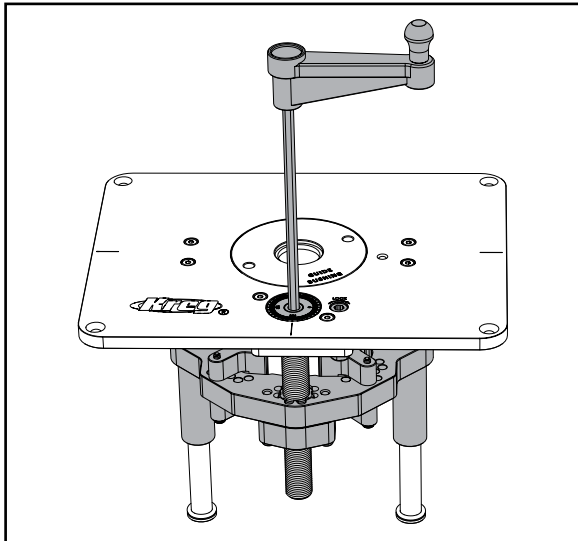


Pièces

Pièces	
A	1 Chariot
B	1 Verrouillage du chariot
C	1 Cadran de microréglages
D	3 Anneaux d'insertion
E	1 Clé pour anneau
F	1 Manivelle
G	1 Cheville de départ
H	1 Clé hexagonale
I	4 Boulons à épaulement
J	4 Blocs de serrage

CONFIGURATION

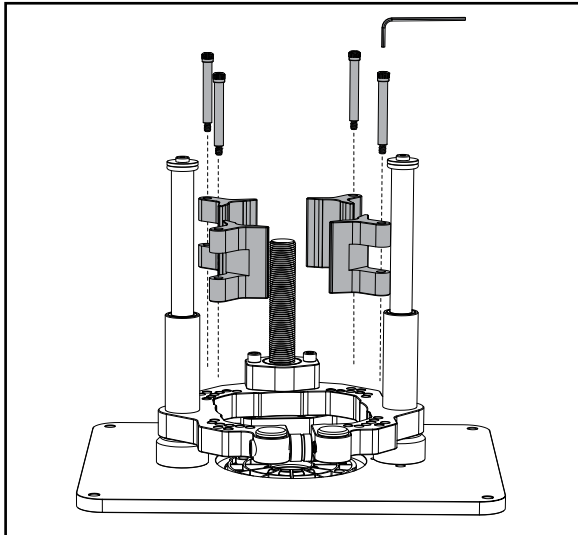
Installez les blocs de serrage



ATTENTION Vous pouvez installer le dispositif de levage pour table à toupie de précision Kreg sur une table à toupie dotée d'une ouverture à côté droit et équipée de patins réglables de plaque d'insertion pour table à toupie Kreg ou sur une ouverture à feuillure d'une dimension pouvant soutenir les rebords de la plaque de levage de la toupie.

ÉTAPE 1 : Placez le dispositif de levage à l'endroit, insérez la manivelle dans la bague de VERROUILLAGE, puis tournez le dispositif de levage dans le sens contraire des aiguilles d'une montre pour déverrouiller le chariot. Insérez la manivelle dans la bague au centre du cadran de microréglages. Soulever le chariot du moteur jusqu'à ce qu'il entre en contact avec les joints toriques au sommet des arbres du chariot.

ATTENTION Le verrouillage du chariot tourne d'environ 1/2 tour.



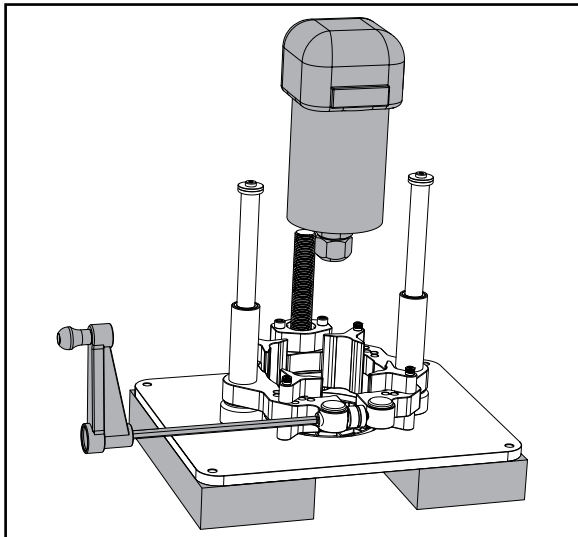
ÉTAPE 2 : Tournez le dispositif de levage à l'envers. Utilisez la clé hexagonale pour retirer les boulons à épaulement fixant les blocs de serrage au chariot. En vous reportant au **Tableau 3**, réinstallez les blocs de serrage dans les trous numérotés selon la configuration indiquée sur votre toupie.

ATTENTION Si votre toupie ne figure pas dans la liste, mesurez le diamètre du moteur, puis installez les blocs de serrage selon la configuration de trous qui correspond à ce diamètre.

TABLEAU 3

Positions des blocs de serrage		
Configuration de trous	Toupie	Diamètre du moteur
1	Porter-Cable 7518	10,66 cm
2	Milwaukee 5626	10,52 cm
3	Hitachi M12VC, KM12VC	8,29 cm
4	Milwaukee 5615, 5616, 5619	8,43 cm
5	Porter-Cable 690, 890 Craftsman 17543, 17540, 28190 Bosch 1617, 1618 DeWalt 610, 616, 618	8,89 cm
6	Ridgid R29302	9,2 cm
7	Felisatti RF62	9,33 cm
8	Makita 1101	8,17 cm

Installez le moteur de la toupie



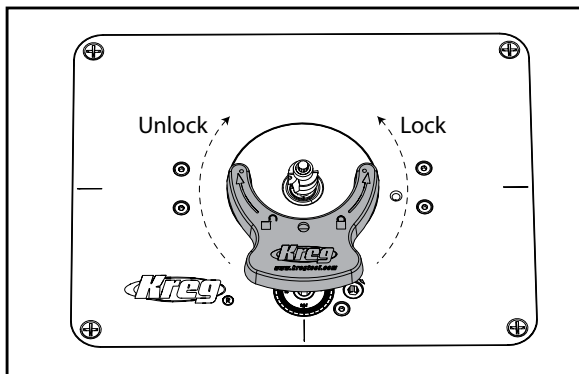
ÉTAPE 1 : Placez l'anneau d'insertion avec l'ouverture de 2 5/8 po sur la plaque de toupie. (Consultez le paragraphe intitulé Anneaux d'insertion dans la section UTILISATION DU DISPOSITIF DE LEVAGE.)

ÉTAPE 2 : Placez le dispositif de levage à l'envers sur des blocs de retailles de bois assez grands pour permettre au mandrin de la toupie de passer à travers l'anneau d'insertion. Utilisez la manivelle pour desserrer la vis de la pince du moteur, puis écarter légèrement le chariot. Faites glisser le moteur de la toupie dans le chariot jusqu'à ce qu'il repose sur l'anneau d'insertion. Orientez le moteur de manière à fournir un accès facile aux commandes lorsque le dispositif de levage est installé sur une table à toupie, le logo Kreg de la plaque de levage à l'avant. Soulevez le moteur de 1,58 mm au-dessus de l'anneau d'insertion, puis serrez la vis de la pince du moteur.

ÉTAPE 3 : Retournez le dispositif de levage à l'endroit, puis installez-le sur votre table à toupie.

UTILISATION DU DISPOSITIF DE LEVAGE

Anneaux d'insertion



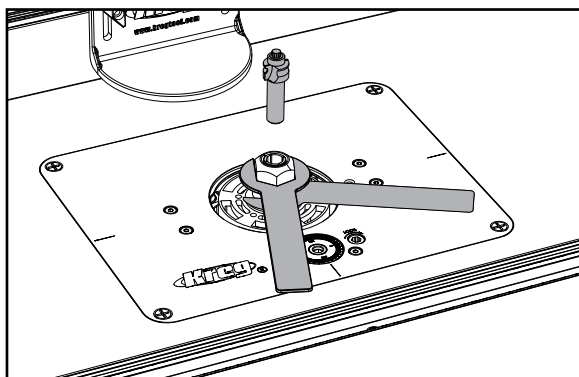
ÉTAPES 1 : Pour installer un anneau d'insertion, faites-le glisser dans l'ouverture de la plaque de levage et tournez-le à la main jusqu'à ce qu'il soit de niveau par rapport à la surface de la plaque. À l'aide de la clé à anneaux, faites tourner l'anneau dans le sens contraire des aiguilles d'une montre.

ÉTAPES 2 : Pour retirer un anneau d'insertion, faites tourner celui-ci dans le sens des aiguilles d'une montre à l'aide de la clé à anneaux. Soulevez l'anneau hors de l'ouverture.

⚠ ATTENTION Le dispositif de levage comprend trois anneaux d'insertion qui permettent de faire correspondre l'ouverture au diamètre de la fraise de la toupie utilisée. L'anneau muni d'une ouverture à feuillure convient aux douilles de guidage de style universel; vous pouvez donc utiliser votre table à toupie pour le touillage de motifs.

⚠ AVERTISSEMENT Utilisez toujours l'anneau d'insertion dont l'ouverture se rapproche le plus du diamètre de la fraise de la toupie utilisée.

Installation de la fraise

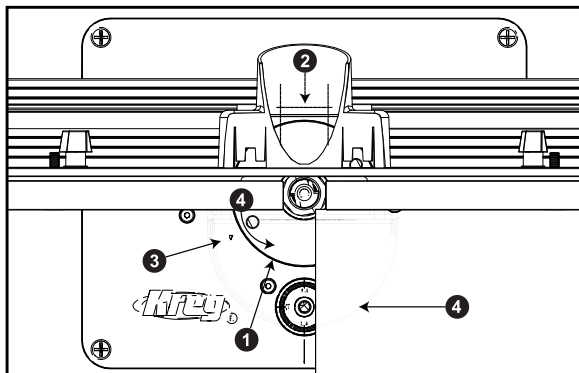


ÉTAPES 1 : Retirez l'anneau d'insertion, puis soulevez le chariot et placez-le complètement en position verticale. Utilisez les clés fournies avec votre toupie pour installer la fraise.

ÉTAPES 2 : Abaissez le chariot, puis remplacez l'anneau d'insertion. Soulevez ou abaissez le chariot pour placer la fraise, puis faites tourner la bague de VERROUILLAGE dans le sens des aiguilles d'une montre.

⚠ AVERTISSEMENT Le chariot doit toujours être verrouillé fermement avant que la toupie soit utilisée.

Fonctionnement normal de la toupie



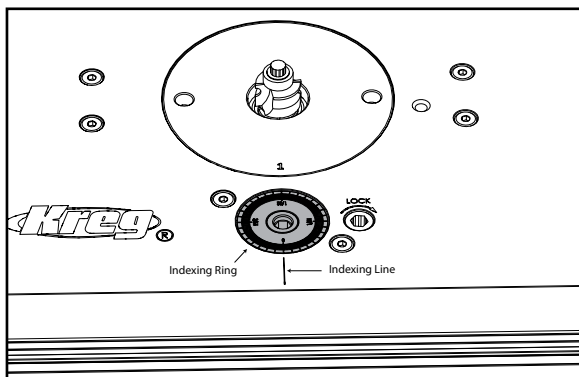
1 : Utilisez l'anneau de réduction de la plaque d'insertion qui possède la plus petite ouverture pouvant être traversée par la fraise utilisée.

2 : Placez la surface du guide le plus près possible de la fraise. Tournez manuellement la fraise afin de vérifier que rien n'entrave son fonctionnement. Serrez fermement les boutons en T de la surface du guide avant d'utiliser la toupie.

3 : Placez le protecteur de fraise au-dessus de la fraise de toupie le plus près possible de la surface de la pièce travaillée.

4 : Faites glisser la pièce travaillée de façon à ce que la fraise tourne dans le sens contraire de la rotation.

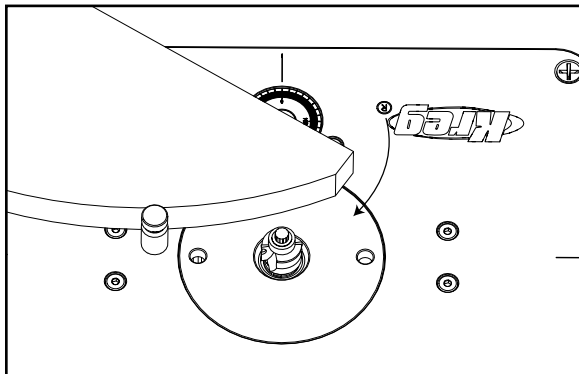
Réglage précis



ÉTAPES 1 : Une fois la fraise à la hauteur souhaitée et le chariot verrouillé, faites tourner le cadran de microréglages avec vos doigts jusqu'à ce que la marque zéro soit alignée sur la ligne de position de la plaque de levage de la toupie. Testez la configuration sur une retaille, puis éteignez la toupie.

ÉTAPES 2 : Déverrouillez le chariot, puis relevez-le ou abaissez-le au besoin. Un tour de manivelle complet crée une différence de hauteur de 1,58 mm.

Cheville de départ

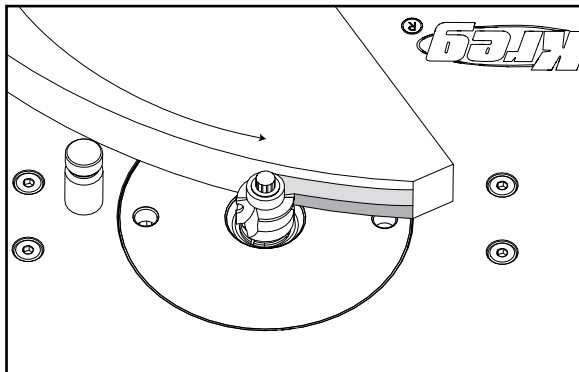


ÉTAPE 1 : Installez la cheville de départ dans le trou fileté adjacent à l'ouverture de l'anneau d'insertion.

ÉTAPE 2 : Mettez la toupie en marche. Placez votre pièce à travailler contre la cheville, sans qu'elle touche à la fraise de la toupie, puis faites pivoter la pièce à travailler jusqu'à ce qu'elle entre en contact avec le roulement-guide de la fraise.

ÉTAPE 3 : Une fois que la pièce à travailler est solidement en contact avec le roulement-guide, vous pouvez décoller la pièce à travailler de la cheville de départ et la laisser glisser le long du roulement-guide. Faites toujours glisser la pièce travaillée de façon à ce que la fraise de toupie tourne dans le sens contraire de l'alimentation.

⚠ AVERTISSEMENT Pour découper des bords courbés, utilisez la cheville de départ avec des fraises de toupie à roulement-guide seulement. Pour découper des bords droits, utilisez toujours le guide.



Système de moulure de façade de précision Kreg

Lorsque le dispositif de levage est installé sur la table à toupie dans son orientation normale (le logo Kreg à l'avant), la base coulissante du système de moulure de façade de précision recouvre les mécanismes de réglage de la hauteur et de verrouillage du chariot. Pour accéder à ces mécanismes, faites pivoter le dispositif de levage de la toupie selon un angle de 180°, sur l'ouverture de la table à toupie.

⚠ AVERTISSEMENT Lorsque vous faites pivoter le dispositif de levage sur l'ouverture de la table à toupie, vous devez équiper votre table à toupie d'un interrupteur d'alimentation fixé sur la table ou faire pivoter le moteur de la toupie dans le dispositif de levage pour maintenir l'accès à l'interrupteur sur le moteur.

Entretien

- Vérifiez régulièrement la présence de rouille ou d'accumulation de débris sur les tiges et sur la vis de réglage.
- Nettoyez les tiges avec un linge propre. Dissolvez la résine de bois accumulée à l'aide d'une huile pénétrante.
- Enlevez la rouille des tiges à l'aide d'un tampon abrasif très fin non tissé. N'utilisez pas de papier abrasif, de limes ou de dissolvant de rouille liquide, car ils endommageront le dispositif de levage de façon permanente.
- Après avoir retiré les débris, appliquez de l'huile pénétrante sur la vis de réglage, nettoyez le filetage avec une brosse à dents, puis essuyez la vis avec un chiffon.
- Après avoir nettoyé les tiges et la vis de levage, lubrifiez-les avec une huile légère pour machine.

⚠ ATTENTION Une tige de fraise de toupie rouillée, un mandrin ou un écrou à mandrin usé ou endommagé, un cône de mandrin rayé, un roulement à billes de toupie usé ou une fraise de toupie endommagée ou déséquilibrée peuvent causer des vibrations. Réparez ou remplacez les pièces de toupie usées ou endommagées et remplacez les fraises de toupie endommagées ou déséquilibrées.

Instrucciones generales de seguridad

⚠ ADVERTENCIA Cuando use herramientas eléctricas, siempre debe seguir las medidas de seguridad que se mencionan a continuación, a fin de reducir el riesgo de incendios y descargas eléctricas y para evitar lesiones personales. Lea todas estas instrucciones antes de hacer funcionar este producto. **GUARDE ESTAS INSTRUCCIONES.**

1) Seguridad en el área de trabajo

- Mantenga el área de trabajo limpia y bien iluminada. Las áreas desordenadas u oscuras aumentan las posibilidades de accidentes.
- No use herramientas eléctricas en entornos peligrosos. No utilice herramientas eléctricas en áreas húmedas o mojadas, ni las exponga a la lluvia.
- No utilice herramientas eléctricas en atmósferas en las que exista riesgo de explosión, como por ejemplo en presencia de líquidos inflamables, gases o polvo. Las herramientas eléctricas producen chispas que pueden encender los vapores o el polvo.
- Mantenga a los niños y transeúntes alejados mientras opera una herramienta eléctrica. Las distracciones pueden hacerle perder el control.
- Haga que su taller sea "a prueba de niños". Utilice candados o interruptores maestros, o retire las llaves de arranque.

2) Seguridad eléctrica

- Herramientas eléctricas con puesta a tierra. Si la herramienta está equipada con un enchufe de tres clavijas, debe enchufarse solo en un tomacorriente de tres orificios con puesta a tierra. Si no se cuenta con un tomacorriente adecuado, pídale a un electricista calificado que instale uno. Nunca retire la tercera clavija ni modifique el enchufe incluido de ninguna manera.
- No exponga las herramientas eléctricas a la lluvia o a condiciones de humedad. Si ingresa agua en una herramienta eléctrica, aumentará el riesgo de descarga eléctrica.
- No maltrate el cable. Nunca use el cable para transportar, jalar ni desenchufar la herramienta eléctrica. Mantenga el cable alejado del calor, el aceite, los bordes filosos o las piezas en movimiento. Los cables dañados o enredados aumentan el riesgo de descarga eléctrica.
- Use una extensión eléctrica adecuada y asegúrese de que esté en buen estado. Cuando utilice una extensión eléctrica, asegúrese de utilizar una que sea lo suficientemente resistente como para conducir la corriente que la herramienta eléctrica necesita. Un cable de tamaño menor que el requerido causará una baja en el voltaje de la línea. Esto podría provocar un corte de energía y sobrecalentamiento. La tabla 1 en la siguiente página muestra el calibre de cable correcto según el largo del cable y el amperaje que figura en la placa de datos de la herramienta. Si tiene dudas, utilice el siguiente calibre más resistente. Cuanto más bajo es el número del calibre, más pesada es la extensión.
- Cuando utilice herramientas eléctricas, evite el contacto del cuerpo con superficies con puesta a tierra, como tuberías, radiadores, estufas de cocina o refrigeradores. El contacto con una superficie con puesta a tierra aumenta el riesgo de descarga eléctrica.

3) Seguridad personal

- Manténgase alerta, preste atención a lo que hace y utilice el sentido común cuando utilice una herramienta eléctrica. No utilice una herramienta eléctrica si está cansado o bajo los efectos de drogas, alcohol o medicamentos. Un momento de desatención mientras opera herramientas eléctricas puede provocar lesiones personales graves.
- Siempre use gafas de seguridad. Los lentes de uso diario no son gafas de seguridad. Las gafas de seguridad tienen lentes, marcos y protectores laterales especiales.
- Utilice un equipo de seguridad. Use una protección o mascarilla antipolvo si se desprende demasiado polvo en la operación de corte. El equipo de seguridad, como mascarillas antipolvo, zapatos de seguridad antideslizantes, casco o protección auditiva, que se usa para crear condiciones apropiada reduce las lesiones personales.
- Evite los arranques accidentales. Asegúrese de que el interruptor esté en la posición de apagado antes de enchufar la herramienta. Si se transportan herramientas eléctricas con el dedo en el interruptor o se enchufan herramientas eléctricas que tienen el interruptor encendido, aumentan las posibilidades de accidentes.
- Retire todas las llaves de ajuste o llaves inglesas antes de encender la herramienta eléctrica. Si se deja una llave inglesa o una llave conectada a una pieza giratoria de la herramienta eléctrica, se pueden producir lesiones personales.
- No se extienda demasiado. Mantenga una postura y un equilibrio adecuados en todo momento. Esto permite un mejor control de la herramienta eléctrica en situaciones inesperadas.
- Asegure las piezas de trabajo. Use abrazaderas o una prensa para sostener la pieza de trabajo cuando sea práctico. Es más seguro que usar las manos y, de este modo, ambas manos quedan libres para operar la herramienta.
- Nunca se pare sobre la máquina. Si la herramienta se voltea o si toca accidentalmente la herramienta de corte, se pueden producir lesiones graves.
- Use ropa adecuada. No use ropa holgada ni joyas. Mantenga el cabello, la ropa y los guantes lejos de las piezas en movimiento. La ropa holgada, las joyas o el cabello largo pueden quedar atrapados en las piezas en movimiento. Arremánguese hasta el codo. Use una malla protectora para contener el cabello largo.
- Si se proporcionan dispositivos para la conexión de equipos de extracción y recolección de polvo, asegúrese de que se conecten y se usen adecuadamente. El uso de estos dispositivos disminuye los peligros relacionados con el polvo.

4) Uso y cuidado de las herramientas eléctricas

- Mantenga los topes en su lugar y en buenas condiciones de funcionamiento.
- No fuerce la herramienta eléctrica. Utilice la herramienta eléctrica adecuada para su tarea. La herramienta eléctrica adecuada realizará un trabajo más seguro y de mejor calidad al ritmo para el que se diseñó.
- Use la herramienta correcta. No fuerce una herramienta o accesorio para realizar un trabajo para el que no se diseñó.
- No utilice la herramienta eléctrica si el interruptor no la enciende o apaga. Cualquier herramienta eléctrica que no pueda controlarse con el interruptor es peligrosa y debe repararse.
- Desconecte el enchufe de la fuente de alimentación o la batería de la herramienta eléctrica antes de realizar cualquier ajuste, cambiar accesorios o almacenar herramientas eléctricas. Este tipo de medidas de seguridad preventivas reduce el riesgo de arranques accidentales de la herramienta eléctrica.
- Nunca deje una herramienta en funcionamiento sin supervisión. Apague la herramienta eléctrica. No suelte la herramienta hasta que no se detenga completamente.
- Almacene las herramientas eléctricas que no estén en uso fuera del alcance de los niños y no permita que personas que no estén familiarizadas con la herramienta ni con estas instrucciones la utilicen. Las herramientas eléctricas son peligrosas en manos de usuarios sin capacitación.
- Realice mantenimiento a las herramientas eléctricas. Revise si hay desalineación o agarrotamiento de piezas móviles o piezas rotas, así como cualquier otra condición que pueda afectar el funcionamiento de la herramienta eléctrica. Si se daña la herramienta eléctrica, hágala reparar antes de usarla. Muchos accidentes son producto del mantenimiento incorrecto de las herramientas eléctricas.
- Mantenga las herramientas de corte afiladas y limpias. Las herramientas de corte que se mantienen adecuadamente, con sus bordes de corte afilados, son menos propensas a trabarse y son más fáciles de controlar.
- Utilice la velocidad recomendada para la herramienta de corte o el accesorio y el material de la pieza de trabajo.
- Use solo piezas y accesorios recomendados por el fabricante. Consulte el manual del propietario para conocer los accesorios recomendados. Usar accesorios incorrectos puede causar lesiones personales.
- Use la herramienta eléctrica, los accesorios y las brocas para herramienta según estas instrucciones y de la manera adecuada para el tipo de herramienta eléctrica en particular, teniendo en cuenta las condiciones de trabajo y el trabajo que se va a realizar. El uso de la herramienta eléctrica en operaciones diferentes de aquellas para las que se la diseñó puede crear una situación de peligro.

5) Reparación

- Permita que solo una persona capacitada repare la herramienta eléctrica, mediante el uso solo de piezas de repuesto idénticas. De esta manera, mantendrá la seguridad de la herramienta eléctrica.

6) INSTRUCCIONES DE SEGURIDAD ESPECÍFICAS PARA EL USO DE LA ELEVACIÓN PARA REBAJADORA DE PRECISION INSTALADA EN UNA MESA PARA REBAJADORA

- Lea, comprenda y siga las instrucciones y las advertencias de seguridad del fabricante de la rebajadora.
- Desconecte la rebajadora de la fuente de alimentación antes de realizar ajustes. Nunca ajuste la guía, la placa, los anillos reductores ni cualquier otra pieza de la rebajadora o de la mesa para rebajadora mientras la rebajadora está funcionando.
- Coloque la mesa para rebajadora sobre una superficie plana para evitar que se incline o resbale. Nunca se pare sobre la mesa para rebajadora.
- No intente rebajar piezas de trabajo deformes, torcidas o curvadas. Todas las piezas de trabajo deben tener lados planos y bordes cuadrados.
- No intente rebajar piezas de trabajo muy grandes en una mesa rebajadora. Las piezas de trabajo muy grandes pueden ser difíciles de controlar y pueden hacer que la mesa rebajadora se voltee.
- Solo utilice brocas para rebajadoras en la rebajadora. Nunca utilice herramientas como rebabas para tallar, abrasivos montados, discos de alambre o brocas para taladro, incluso si los vástagos se ajustan al diámetro de la boquilla de sujeción de la rebajadora.

Instrucciones generales de seguridad

- g) Utilice guantes para manipular las brocas para rebajadora. Los bordes de corte son filosos.
- h) Nunca utilice brocas para rebajadora sucias, desafiladas o dañadas. Retire la acumulación de madera y resina con un limpiador formulado específicamente para herramientas de corte. Pídale a una persona calificada que afile las brocas desafiladas. Deseche las brocas dañadas.
- i) Asegúrese de que al menos el 75% de la longitud del vástago de la broca para rebajadora esté sujeta en la boquilla de sujeción de la rebajadora de manera segura. Para garantizar un agarre seguro, deje de 2 a 3 mm entre el extremo del vástago de la broca y la parte inferior de la boquilla de sujeción.
- j) Utilice el anillo de accesorio con la abertura más reducida que permite que la broca la atraviese. Un espacio grande alrededor de la broca puede provocar que la pieza de trabajo se voltee dentro de la broca y retroceda.
- k) Ubique las caras de la guía lo más cerca posible de la broca. Gire la broca a mano para revisar si hay interferencias. Apriete firmemente las perillas en T de las caras de la guía antes de realizar el rebajado.
- l) Ajuste la velocidad de la rebajadora para que coincida con el diámetro de la broca. Reduzca la velocidad de la rebajadora cuando utilice brocas de diámetro grande. Consulte la Tabla 2 para ver las velocidades recomendadas de la rebajadora.
- m) Asegúrese de que el motor de la rebajadora esté sujeto con firmeza a la base antes de encender la rebajadora.
- n) Siempre apoye la pieza de trabajo con la guía o con el pasador de inicio. Use el pasador de inicio solo con las brocas para rebajadora que tienen un rodamiento guía.
- o) Cuando utilice la guía, siempre coloque la protección para broca sobre la broca para rebajadora y lo más cerca posible de la superficie de la pieza de trabajo.
- p) Nunca retire una gran cantidad de material en un corte. Realice varios cortes más profundos de manera progresiva y ajuste la broca para rebajadora o la posición de la guía entre cortes.
- q) Mantenga las manos alejadas de la broca giratoria y el cuerpo alejado de la trayectoria de corte. Siempre use la protección para broca. Use varas para empujar, bloques de empuje y tablas con canto biselado siempre que sea posible, en especial cuando rebaje piezas de trabajo delgadas. Apague la rebajadora antes de remover piezas o desechos.
- r) Evite las posiciones de manos incómodas donde un resbalón repentino podría provocar el contacto con la broca giratoria. Nunca se extienda demasiado.
- s) Evite rebajar piezas pequeñas. Rebaje el perfil de una pieza de trabajo grande y luego corte la pieza al tamaño final a partir de la pieza de trabajo grande. Si debe rebajar una pieza pequeña, cree una plantilla apropiada o sostenga la pieza con una abrazadera para madera manual.
- t) Asegúrese de que la pieza de trabajo esté alejada de la broca y de que esta se detenga completamente antes de ajustar la posición de la pieza de trabajo. Nunca encienda la rebajadora si la pieza de trabajo está en contacto con la broca.
- u) Evite los contragolpes. Los contragolpes se producen cuando la pieza de trabajo se atasca o se levanta de la mesa mientras se rebaja, lo que causa que retroceda hacia el operador. Para evitar los contragolpes y las posibles lesiones, utilice brocas afiladas, mantenga la máquina alineada y con el debido mantenimiento y sostenga correctamente la pieza de trabajo. No intente rebajar piezas de trabajo deformes, torcidas o curvadas, ni que tengan nudos sueltos.
- v) Pase la pieza de trabajo contra el giro de la broca, no en la misma dirección que este. La broca puede sujetar una pieza de trabajo alimentada con el giro de la broca, expulsarla violentamente de la mesa rebajadora y puede hacer que su mano toque la broca.
- w) Nunca atrape una pieza de trabajo entre la broca y la guía. Cuando le dé forma a un perfil en el borde recto de una pieza de trabajo, siempre rebaje con la broca colocada en la guía y el borde de la pieza de trabajo contra la guía.
- x) Siempre que rebaje un perfil en el cual no se esté cortando material debajo de una parte sobresaliente de la broca, o una parte del perfil esté atrapado entre los cortadores por encima y por debajo, tome precauciones adicionales para evitar que la pieza de trabajo se levante de la superficie de la mesa durante el rebajado. Una pieza de trabajo que se levanta de la mesa puede retroceder y causar lesiones personales graves. Cuando rebaje estos perfiles, es especialmente importante usar material recto y plano, y evitar material deforme, torcido o curvado.
- y) Revise periódicamente si están apretados los sujetadores, el ajuste y las perillas de bloqueo, y la alineación de la guía. Las perillas y los sujetadores flojos, y una guía desalineada pueden causar lesiones personales.
- z) Esta elevación para rebajadora está diseñada para una aplicación específica. No la modifique ni la use para otra aplicación. Si tiene preguntas relacionadas con la aplicación de la elevación, NO la use hasta ponerse en contacto con Kreg Tool Company y recibir la orientación correspondiente.

Pautas para el uso de extensiones eléctricas

Las extensiones eléctricas son solo para uso temporal. No reemplazan la necesidad de instalar tomacorrientes y el cableado adecuado cuando sea necesario.

En el taller y en los sitios de construcción:

1. Se deben usar extensiones eléctricas con conductor de puesta a tierra del equipo en todo momento.
2. Las extensiones eléctricas deben protegerse de daños y no deben tenderse a través de puertas o ventanas porque estas pueden cerrarse y dañar el cable.
3. Las extensiones eléctricas deben ser de 16 AWG como mínimo y tener una clasificación adecuada para el equipo que se utiliza.
4. Las extensiones eléctricas deben inspeccionarse periódicamente para garantizar que el aislamiento y la conductividad de los conductores no se vean comprometidos.
5. Las extensiones eléctricas no deben tenderse sobre agua y no se debe permitir que las conexiones estén expuestas a agua acumulada.

TABLA 1

Placa de datos: amperios a 120 V	Largo de la extensión eléctrica					
	7,62 m	15,24 m	22,86 m	30,48 m	45,72 m	60,96 m
	Calibre de cable recomendado					
0 a 5	16	16	16	14	12	12
5,1 a 8	16	16	14	12	10	NR
8,1 a 12	14	14	12	10	NR	NR
12,1 a 16	12	12	NR	NR	NR	NR

NR: No recomendado

TABLA 2

Velocidades recomendadas para la brocas para rebajadora	
Diámetro de la broca	Velocidad máxima (RPM)
Hasta 1" (25,4 mm)	24000
de 1 ¼" a 2" (31,75 mm a 50,8 mm)	18000
2 ¼" a 2 ½" (57,15 mm a 63,5 mm)	16000
3" a 3 ½" (76,2 mm a 88,9 mm)	12000

Siempre siga las recomendaciones del fabricante respecto a la velocidad de la broca. Algunos de los diseños de broca requieren velocidades específicas para un rendimiento seguro.

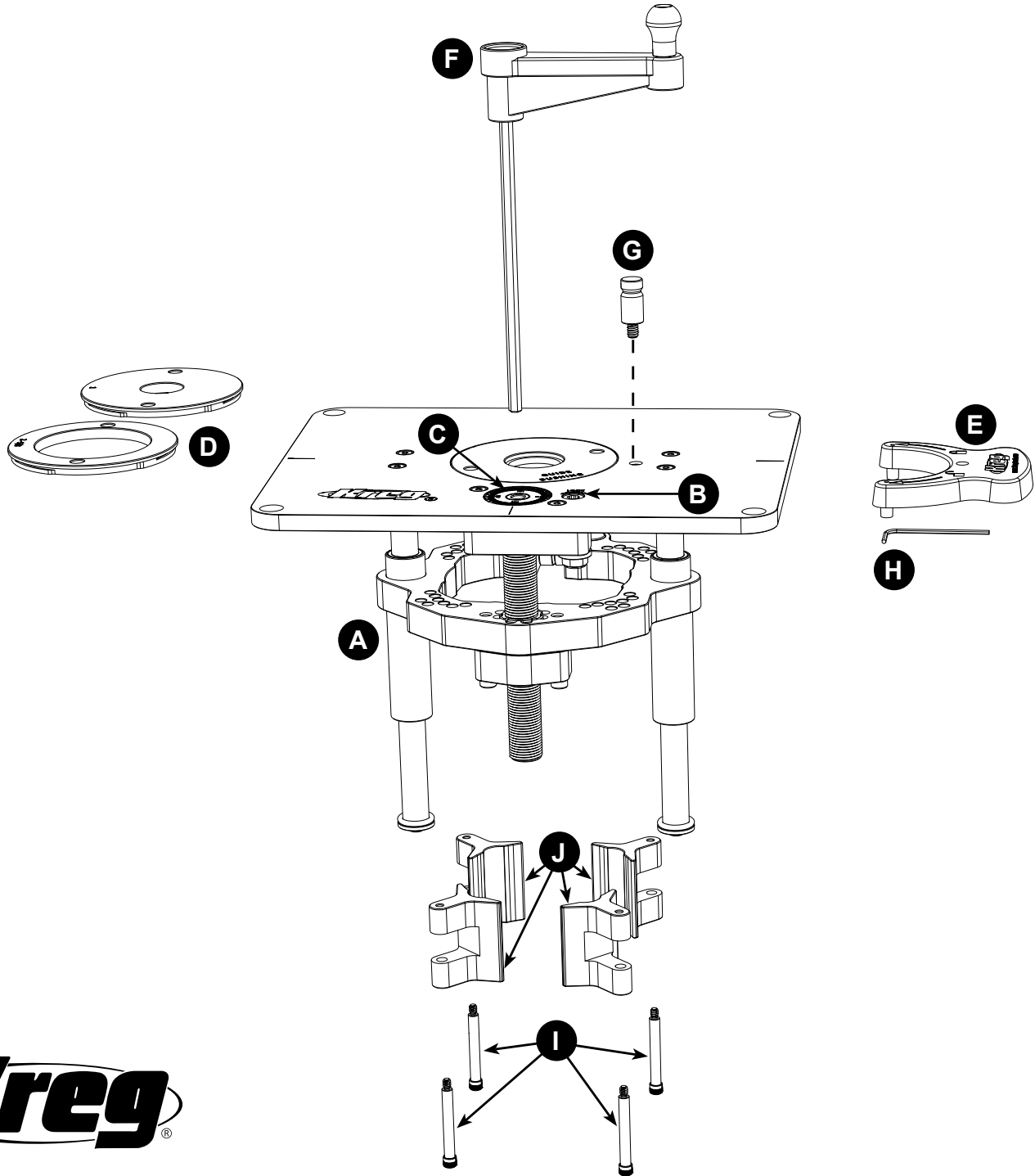
⚠ ADVERTENCIA! Este producto lo puede exponer a sustancias químicas, incluido el acrilonitrilo y otros químicos, reconocidos por el estado de California como causantes de cáncer y defectos congénitos. Para obtener más información, visite www.P65Warnings.ca.gov.

⚠ ADVERTENCIA! El polvo producido por el lijado, serruchado, trituración, taladrado y otras actividades de construcción puede contener sustancias químicas reconocidas por el estado de California como causantes de cáncer, defectos congénitos u otros daños en el aparato reproductor. A continuación, se mencionan algunos ejemplos de estos productos químicos:

- Plomo de pinturas a base de plomo.
- Sílice cristalina de ladrillos, cemento y otros productos de mampostería.
- Arsénico y cromo de madera tratada con químicos.

El riesgo que corre debido a la exposición a estos productos químicos varía según la frecuencia con que realiza este tipo de trabajo. Para reducir la exposición, trabaje en un área bien ventilada y utilice un equipo de seguridad aprobado, como una mascarilla antipolvo, específicamente diseñado para filtrar partículas microscópicas.

PIEZAS

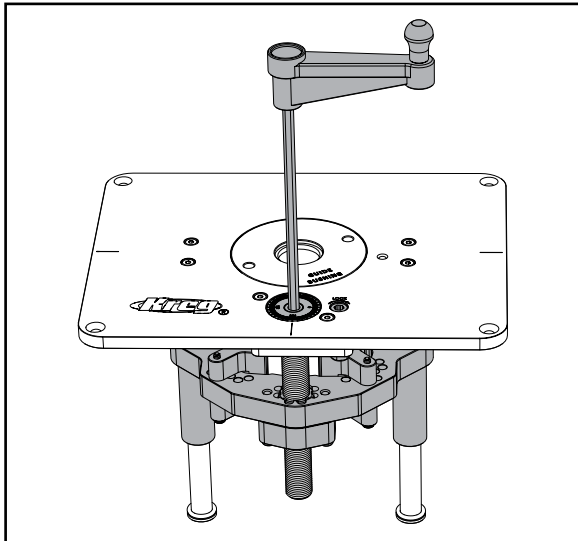


Piezas

Piezas			
A	1 Carril	F	1 Manivela
B	1 Seguro del carril	G	1 Pasador de inicio
C	1 Disco de microajuste	H	1 Llave hexagonal
D	3 Anillos de inserción	I	4 Pernos de resalto
E	1 Llave para anillos	J	4 Bloques de sujeción

INSTALACIÓN

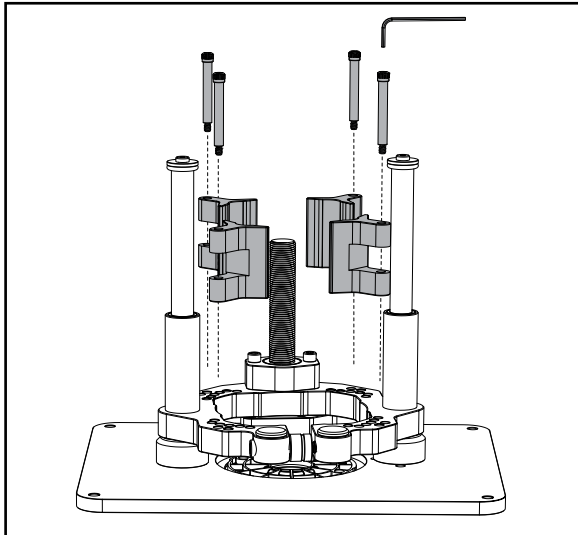
Posición de los bloques de sujeción



⚠ ATENCIÓN La elevación para rebajadora de precisión Kreg puede instalarse en una mesa para rebajadora con una abertura con un lado recto, equipada con niveladores de placa de accesorios para la mesa para rebajadora de precisión Kreg o en una abertura ranurada del tamaño adecuado para poder apoyar los bordes de la placa de elevación de la rebajadora.

PASO 1: Con el lado derecho de la elevación apuntando hacia arriba, inserte el eje de la manivela en el conector de BLOQUEO y gírelo en dirección contraria a las manecillas del reloj para desbloquear el carril. Inserte el eje de la manivela en el conector que se encuentra en el centro del disco de microajuste. Levante el carril del motor hasta que este haga contacto con la junta tórica en los extremos superiores de los ejes del carril.

⚠ ATENCIÓN El seguro del carril gira aproximadamente $\frac{1}{2}$ giro.



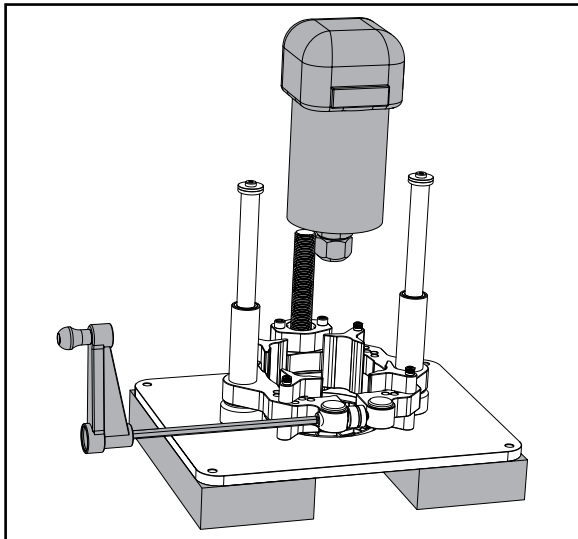
PASO 2: Coloque la elevación en posición invertida. Use la llave hexagonal para retirar los pernos de resalto que aseguran los bloques de sujeción al carril. Vuelva a instalar los bloques de sujeción en el patrón de orificios numerados indicado para su rebajadora, según se muestra en la **Tabla 3**.

⚠ ATENCIÓN Si su rebajadora no está homologada, mida el diámetro del motor e instale los bloques de sujeción en el patrón numérico que se ajuste al diámetro.

TABLA 3

Ubicaciones de los bloques de sujeción		
Patrón de orificios	Rebajadora	Diámetro del motor
1	Porter-Cable 7518	4,2"
2	Milwaukee 5626	4,143"
3	Hitachi M12VC, KM12VC	3,267"
4	Milwaukee 5615, 5616, 5619	3,32"
5	Porter-Cable 690, 890 Craftsman 17543, 17540, 28190 Bosch 1617, 1618 DeWalt 610, 616, 618	3,5"
6	Ridgid R29302	3,625"
7	Felisatti RF62	3,675"
8	Makita 1101	3,218"

Instale el motor de la rebajadora



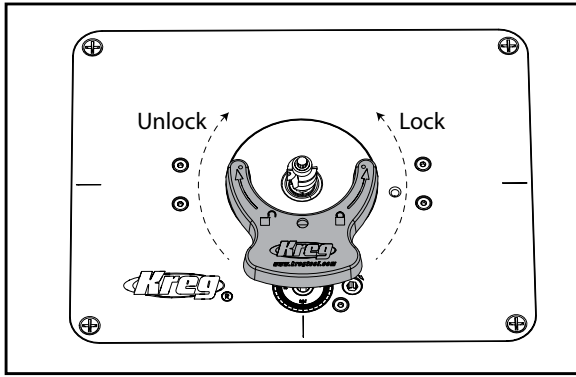
PASO 1: Instale el anillo de inserción con la abertura de 2-5/8" en la placa de la rebajadora. (Vea los anillos de inserción en la sección USO DE LA ELEVACIÓN).

PASO 2: Coloque la elevación de manera invertida sobre los bloques de trozos de madera con la elevación suficiente para permitir que el recolector de la rebajadora se extienda a través del anillo de inserción. Use la manivela para aflojar el tornillo de la abrazadera del motor y despliegue levemente el carril. Deslice el motor de la rebajadora en el carril hasta que quede asentado en el anillo de inserción. Ajuste la orientación del motor para proporcionar un acceso adecuado a los controles una vez que la elevación esté instalada en la mesa de la rebajadora, asegurándose de que el logotipo de Kreg quede en la parte frontal de la placa de la elevación. Eleve el motor en 1,59 mm hacia fuera del anillo de inserción y apriete el tornillo de la abrazadera del motor.

PASO 3: Gire la elevación para que el lado derecho quede apuntando hacia arriba e instale su mesa para rebajadora.

USO DE LA ELEVACIÓN

Anillos de inserción



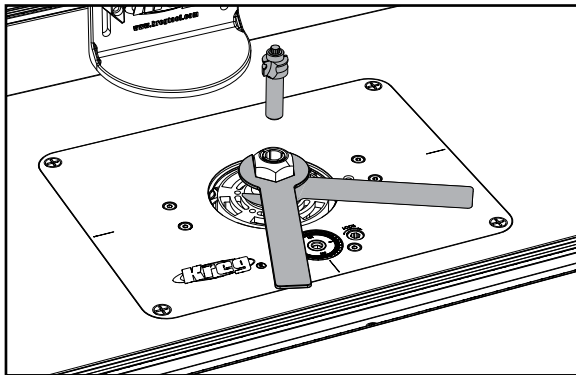
PASO 1: Para instalar un anillo de inserción, colóquelo en la abertura de la placa de la elevación y gírelo a mano hasta que quede al ras con la superficie de la placa. Gire el anillo en dirección contraria a las manecillas del reloj con la llave para anillos.

PASO 2: Para retirar un anillo de inserción, gírelo en dirección de las manecillas del reloj con la llave para anillos. Levante el anillo para retirarlo de la abertura.

⚠ ATENCIÓN La elevación incluye tres anillos de inserción para brindar flexibilidad al hacer coincidir el tamaño de la abertura de la placa de accesorio con el diámetro de la broca para rebajadora en uso. El anillo con la abertura ranurada acepta conectores guía estilo universal, lo que le permite usar la mesa para rebajadora para rebajar diseños.

⚠ ADVERTENCIA Use siempre el anillo de inserción que posea el tamaño más cercano al diámetro de la broca para rebajadora en uso.

instalación de la broca

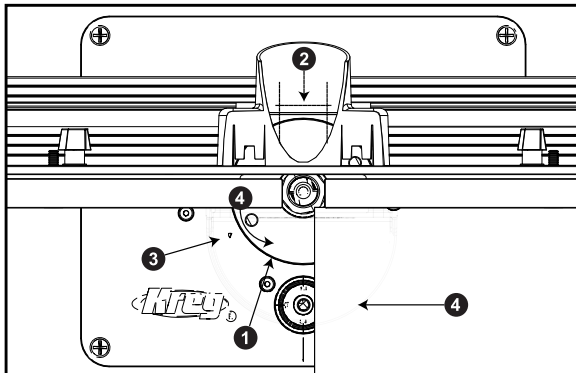


PASO 1: Retire el anillo de inserción y eleve el carril hasta la posición más alta. Use las llaves que se incluyen con la rebajadora para instalar la broca.

PASO 2: Baje el carril y vuelva a colocar el anillo de inserción. Eleve o baje el carril para colocar la broca y gire el conector de BLOQUEO en dirección de las manecillas del reloj.

⚠ ADVERTENCIA Siempre apriete el seguro del carril antes de realizar el rebajado.

Rebajado en general



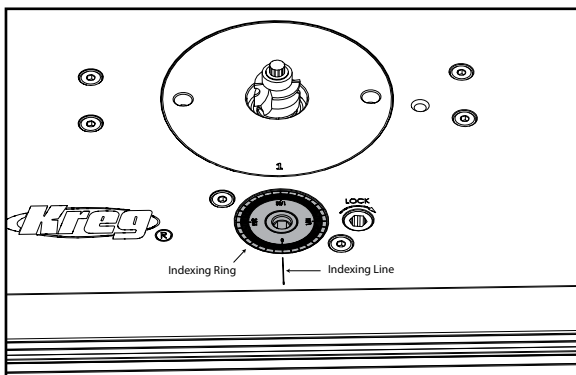
1: Utilice el anillo reductor de la placa de accesorio con la abertura más reducida que permite que la broca la atraviese.

2: Ubique las caras de la guía lo más cerca posible de la broca. Gire la broca a mano para revisar si hay interferencias. Apriete firmemente las perillas en T de las caras de la guía antes de realizar el rebajado.

3: Coloque la protección para broca sobre la broca para rebajadora y lo más cerca posible de la superficie de la pieza de trabajo.

4: Pase la pieza de trabajo contra el giro de la broca, no en la misma dirección que este.

Ajuste de precisión

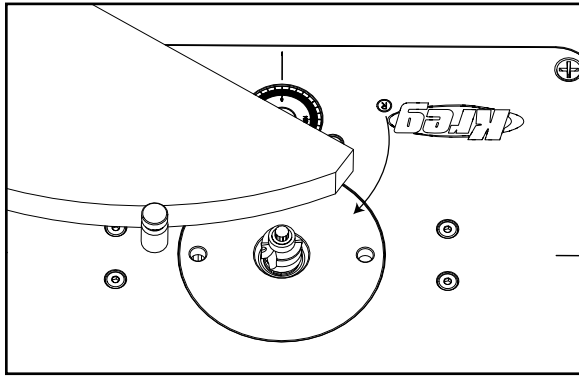


PASO 1: Con la broca a la altura deseada y el carril bloqueado, use sus dedos para girar el disco de microajuste hasta que la marca del cero quede alienada con la línea índice de la placa de la elevación para rebajadora. Pruebe la configuración en la pieza de trabajo de prueba y apague la rebajadora.

PASO 2: Desbloquee el carril y elévelo o bájelo según sea necesario. Una vuelta completa de la manivela es igual a 1,59 mm de diferencia en el alto de la broca.

USO DE LA ELEVACIÓN

Pasador de inicio

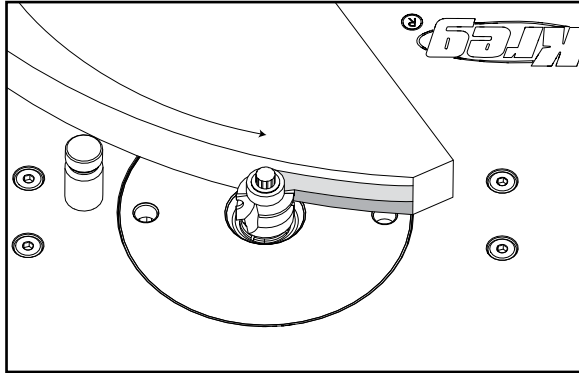


PASO 1: Instale el pasador de inicio en el orificio roscado que se encuentra junto a la abertura del anillo de inserción.

PASO 2: Encienda la rebajadora. Con la pieza de trabajo tocando el pasador, pero sin que esté en contacto con la broca para rebajadora, gírela lentamente en la broca hasta que haga contacto con el rodamiento guía de la broca.

PASO 3: Con la pieza de trabajo en contacto firme con el rodamiento guía, retire la pieza de trabajo del pasador de inicio y aliméntela a lo largo del rodamiento guía. Siempre alimente la pieza de trabajo de modo que la broca para rebajadora gire contra (no con) la dirección de alimentación.

⚠ ADVERTENCIA Use el pasador de inicio cuando realice el rebajado en bordes curvos y solo con las brocas para rebajadora que tienen un rodamiento guía. Al rebajar a lo largo de bordes rectos, siempre use la guía.



Sistema de marco frontal con reborde de precisión Kreg

Con la elevación instalada en una mesa para rebajadora en la orientación normal (con el logotipo de Kreg hacia el frente), la base deslizante del Sistema de marco frontal con reborde cubre el ajuste de altura y los mecanismos de bloqueo del carril. Para poder acceder a estas funciones, gire la rebajadora en 180° en la abertura de la mesa para rebajadora.

⚠ ADVERTENCIA Cuando gire la elevación en la abertura de la mesa de la rebajadora, debe equipar esta última con un interruptor de alimentación montado en la mesa o girar el motor de la rebajadora para mantener el acceso al interruptor del motor.

Mantenimiento

- Revise periódicamente los postes y los tornillos de ajuste para verificar que no tengan acumulación de suciedad ni óxido.
- Limpie los postes con un paño limpio. Disuelva las resinas de madera acumuladas con aceite penetrante.
- Elimine el óxido de los postes con una almohadilla abrasiva no tejida muy fina. No utilice lijas, limas o eliminador de óxido líquido, ya que estos podrían dañar la elevación de manera permanente.
- Una vez eliminada la suciedad suelta, aplique aceite penetrante a los tornillos de ajuste, limpie las roscas con un cepillo de dientes y limpie el tornillo con un paño.
- Después de limpiar los postes y los tornillos de la elevación, lubríquelos con aceite lubricante ligero.

⚠ ATENCIÓN La vibración podría ser causa de la presencia de óxido en un vástago de la broca para rebajadora, un mandril desgastado o dañado o tuercas del mandril desgastadas o dañadas, rayas en el filo del mandril, un conector de la rebajadora desgastado o una broca dañada o desalineada. Repare o reemplace las piezas desgastadas o dañadas de la rebajadora y reemplace las brocas dañadas o desalineadas.



www.kregtool.com • 800.447.8638

For assistance with any Kreg product, contact us through our Web site or call Customer Service.

Si vous avez besoin d'aide concernant les produits Kreg, communiquez avec nous sur notre site Web ou appelez notre service à la clientèle.

Si requiere asistencia con cualquier producto Kreg, póngase en contacto con nosotros a través del sitio web o llame al Servicio al Cliente.