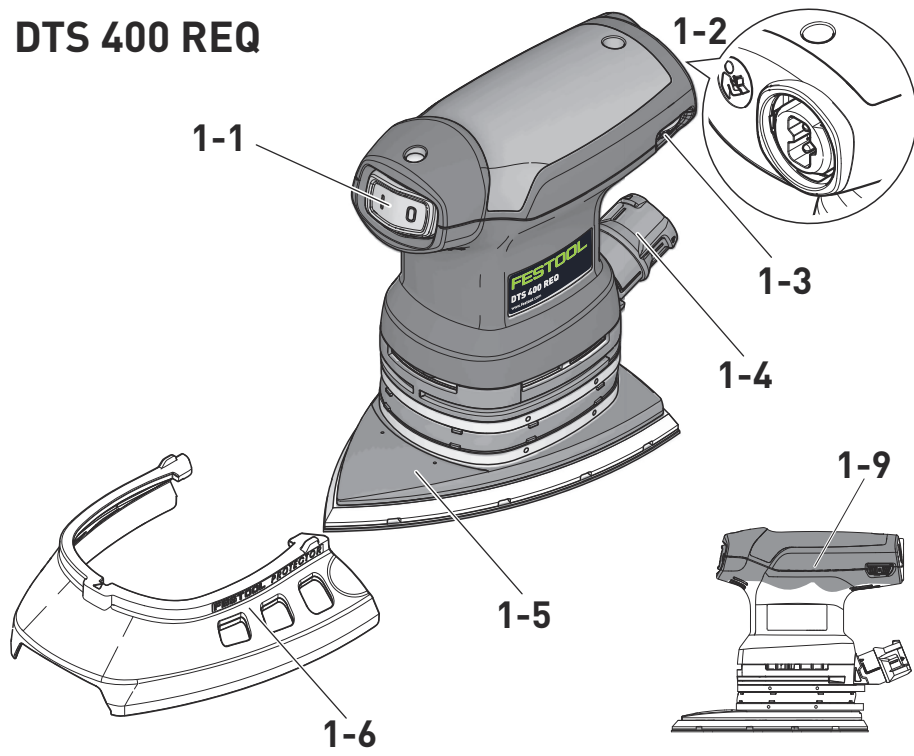


D	Originalbetriebsanleitung - Schwingschleifer	7
GB	Original operating manual - Orbital sander	12
F	Notice d'utilisation d'origine - Ponceuse vibrante	16
E	Manual de instrucciones original - Lijadora orbital	21
I	Istruzioni per l'uso originali - Levigatrice oscillanti per microfiniture	26
NL	Originele gebruiksaanwijzing - Vlakschuurmachine	31
S	Originalbruksanvisning - Skakslipmaskin	36
FIN	Alkuperäiset käyttöohjeet - Tasohiomakone	40
DK	Original brugsanvisning - Rystepudser	44
N	Originalbruksanvisning - Plansliper	48
P	Manual de instruções original - Lixadora vibratória	52
RUS	Оригинал Руководства по эксплуатации - Виброшлифмашинка	56
CZ	Originál návodu k obsluze - Vibrační bruska	61
PL	Oryginalna instrukcja eksploatacji - Szlifierka oscylacyjna	65

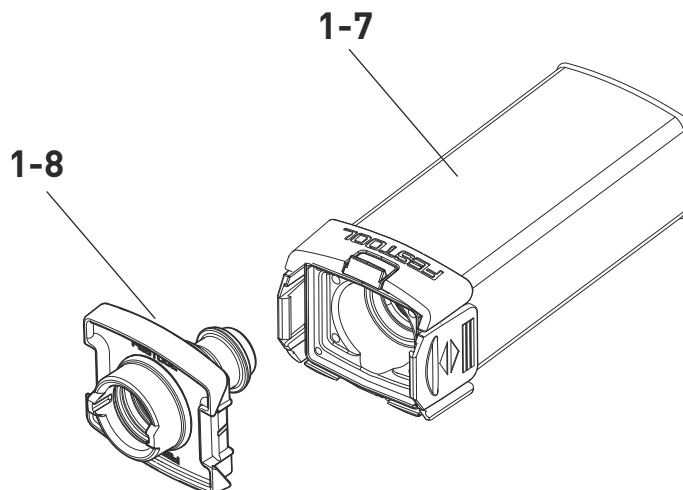
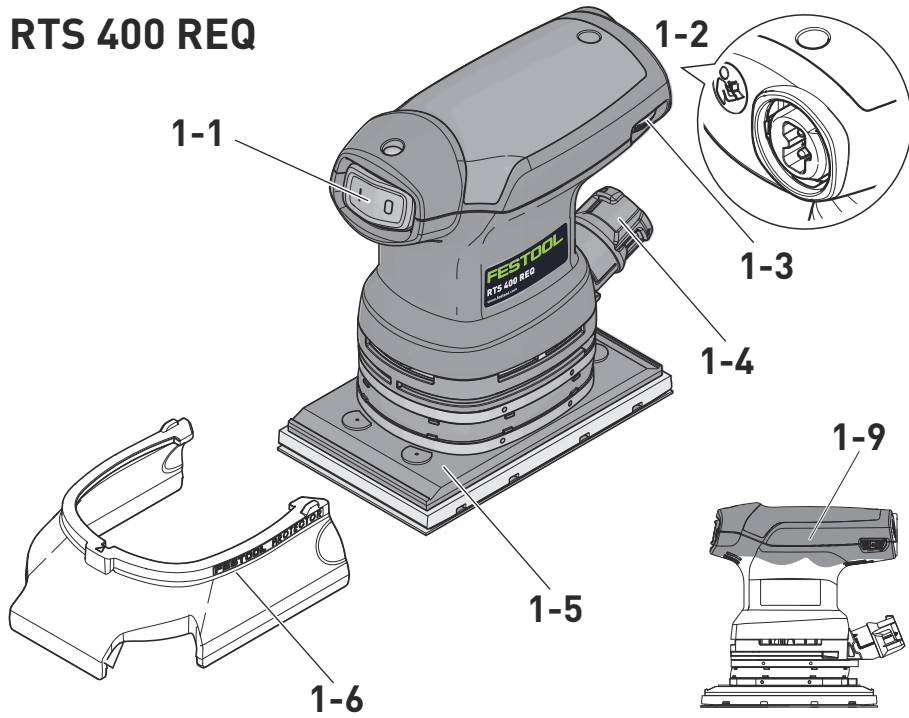
RTS 400 REQ DTS 400 REQ

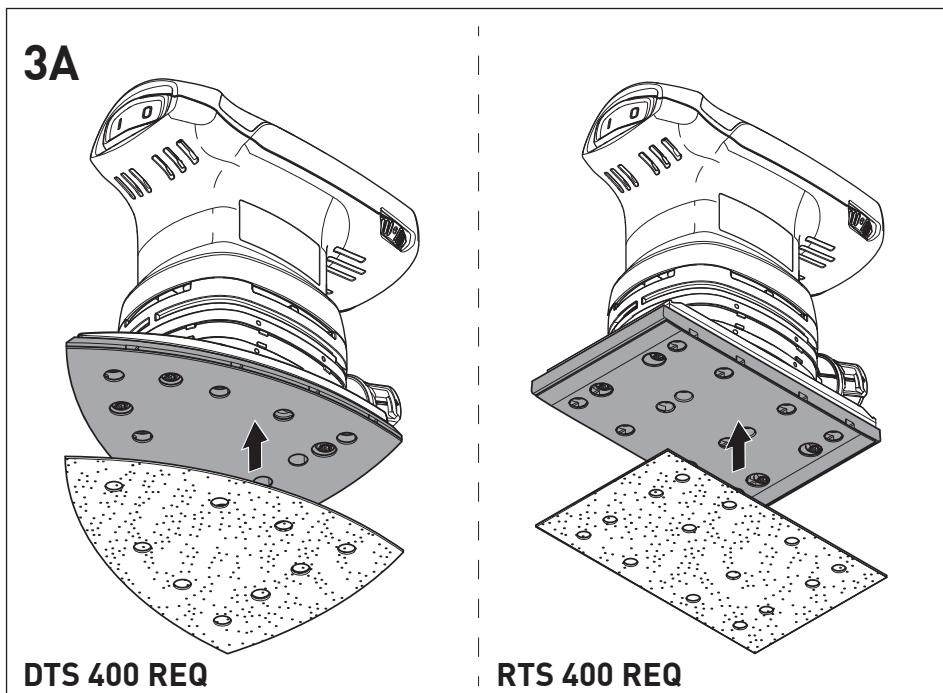
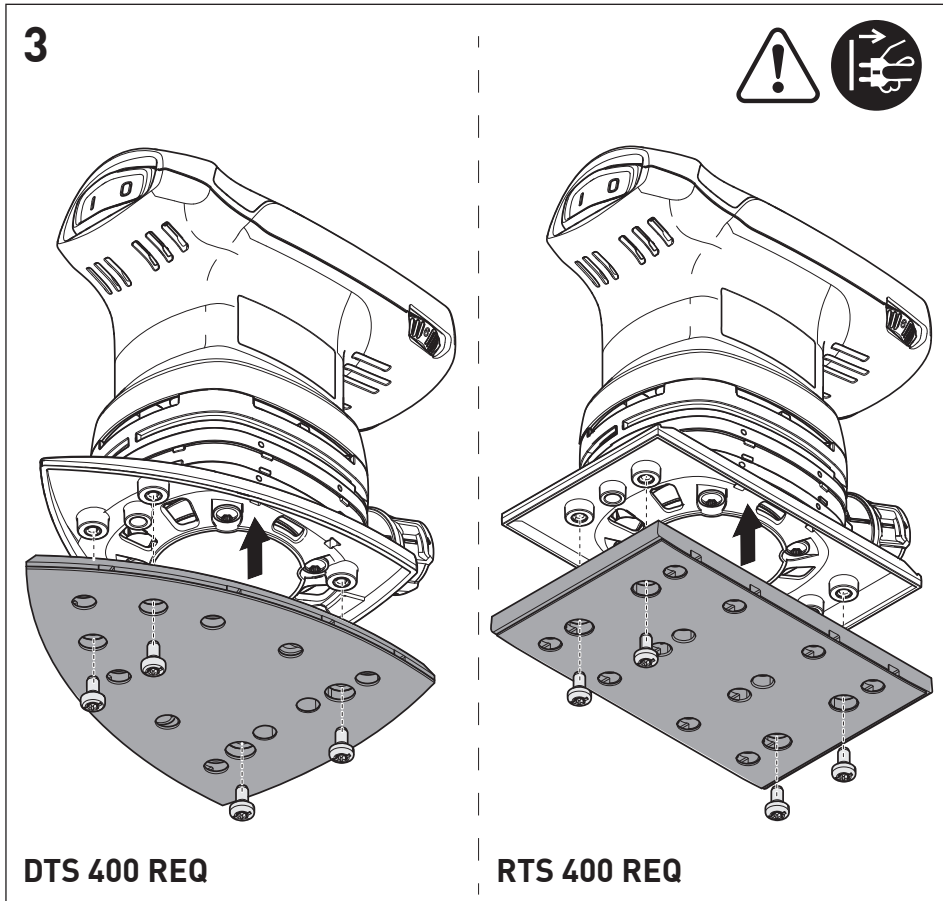
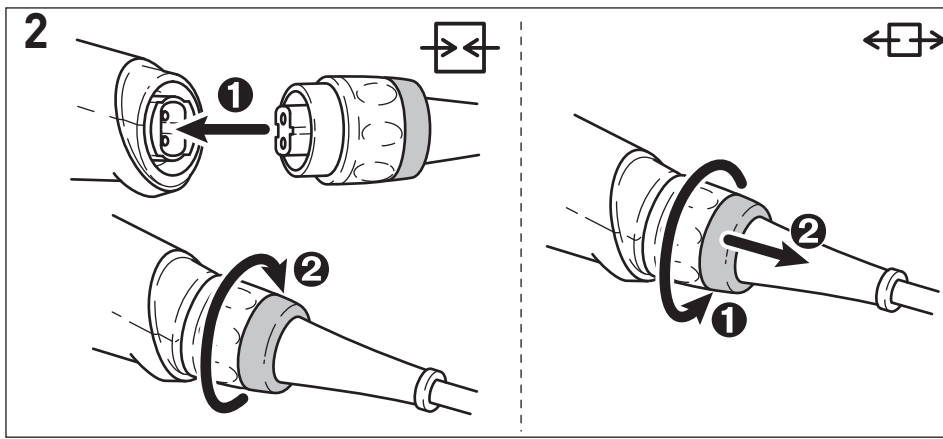


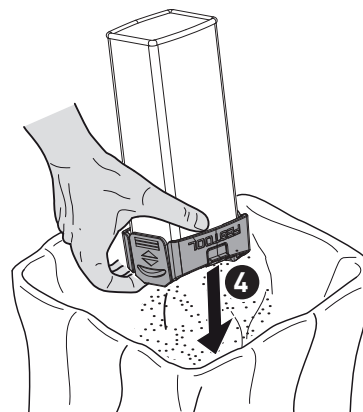
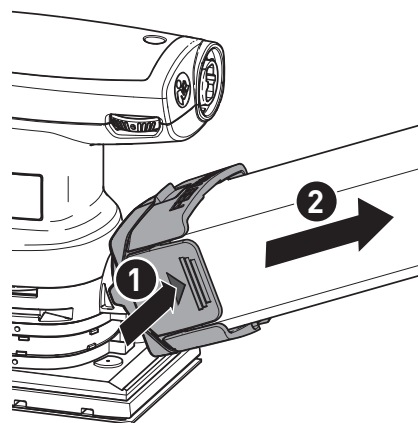
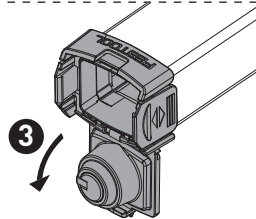
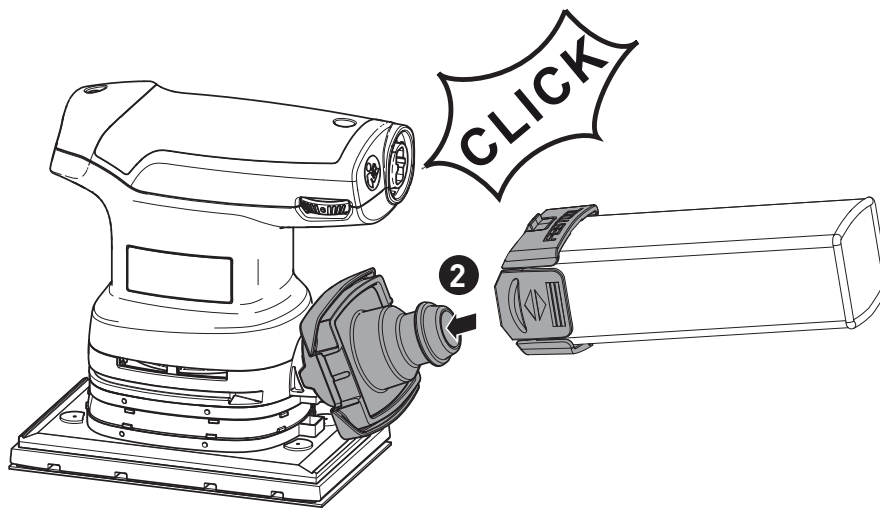
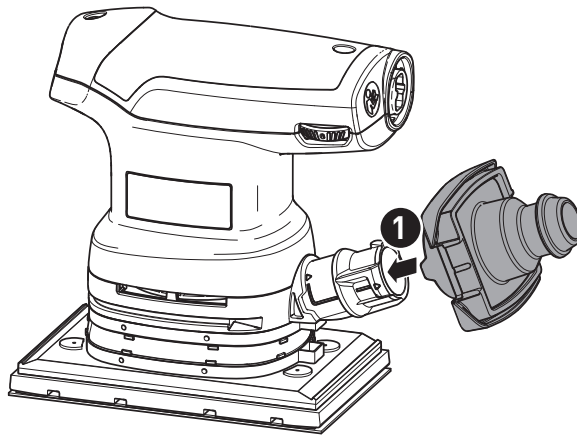
DTS 400 REQ



RTS 400 REQ

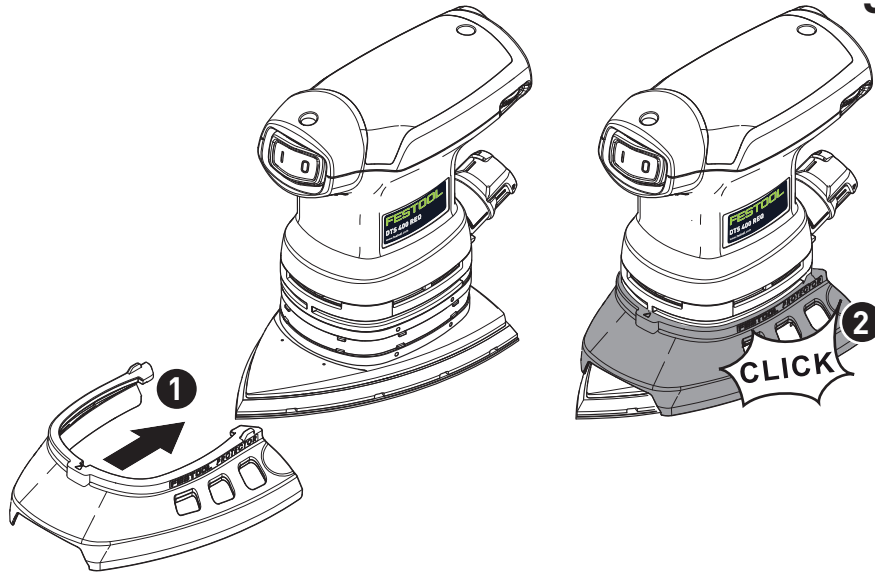




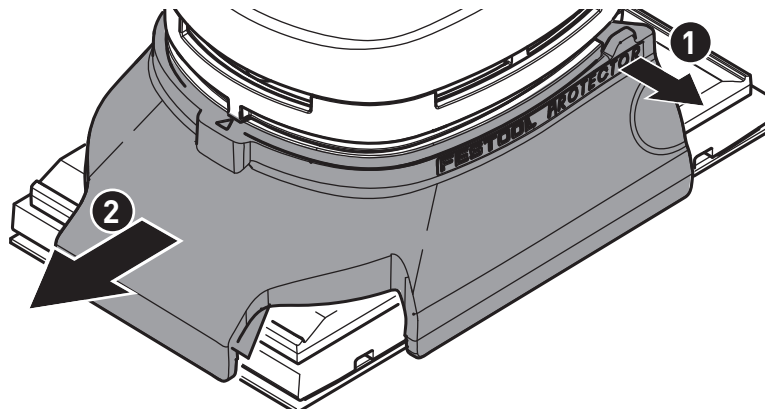
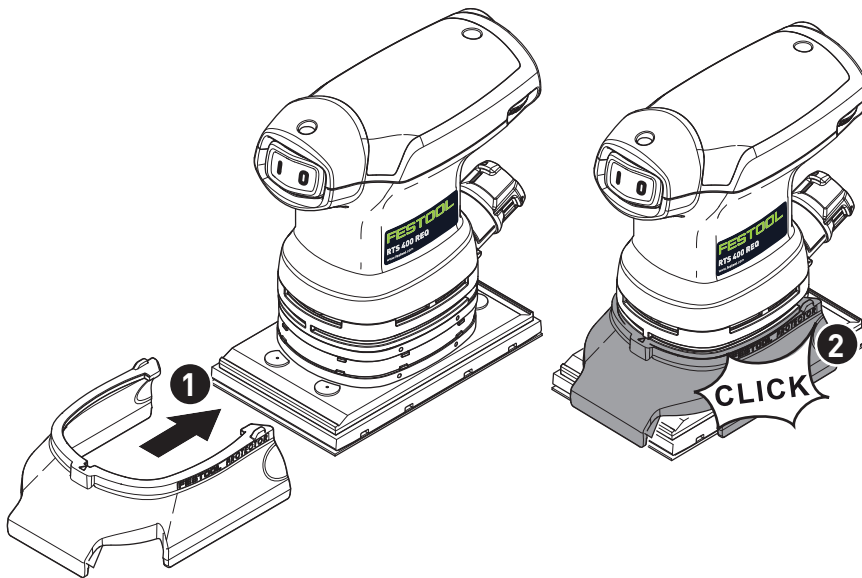


DTS 400 REQ

5



RTS 400 REQ



Schwingschleifer Orbital sander Ponceuse vibrante	Seriennummer * Serial number * N° de série * (T-Nr.)
DTS 400 REQ	201413
RTS 400 REQ	10019342, 202867

(D) EG-Konformitätserklärung. Wir erklären in alleiniger Verantwortung, dass dieses Produkt allen einschlägigen Bestimmungen der folgenden Richtlinien einschließlich ihrer Änderungen entspricht und mit den folgenden Normen übereinstimmt:

(GB) EC-Declaration of Conformity. We declare under our sole responsibility that this product is in conformity with all relevant provisions of the following directives including their amendments and complies with the following standards:

(F) CE-Déclaration de conformité communautaire. Nous déclarons sous notre propre responsabilité que ce produit est conforme aux normes ou documents de normalisation suivants:

(E) CE-Declaración de conformidad. Declaramos bajo nuestra exclusiva responsabilidad que este producto corresponde a las siguientes normas o documentos normalizados:

(I) CE-Dichiarazione di conformità. Dichiariamo sotto la nostra esclusiva responsabilità che il presente prodotto è conforme alle norme e ai documenti normativi seguenti:

(NL) EG-conformiteitsverklaring. Wij verklaren op eigen verantwoordelijkheid dat dit product voldoet aan de volgende normen of normatieve documenten:

(S) EG-konformitetsförklaring. Vi förklarar i eget ansvar, att denna produkt stämmer överens med följande normer och normativa dokument:

(FIN) EY-standardinmukaisuusvakuutus. Vakuutamme yksinvastuullisina, etta tuote on seuraavien standardien ja normatiivisten ohjeiden mukainen:

(DK) EF-konformitetserklæring Vi erklærer at have alene ansvaret for, at dette produkt er i overensstemmelse med de følgende normer eller normative dokumenter:

(N) CE-Konformitetserklæring Vi erklærer på eget ansvar at dette produktet er i overensstemmelse med følgende normer eller normative dokumenter:

(P) CE-Declaração de conformidade: Declaramos, sob a nossa exclusiva responsabilidade, que este produto corresponde às normas ou aos documentos normativos citados a seguir:

(RUS) Декларация соответствия ЕС: Мы заявляем с исключительной ответственностью, что данный продукт соответствует следующим нормам или нормативным документам:

(CZ) ES prohlášení o shodě: Prohlašujeme s veškerou odpovědností, že tento výrobek je ve shodě s následujícími normami nebo normativními dokumenty: .

(PL) Deklaracja o zgodności z normami UE: Niniejszym oświadczamy na własną odpowiedzialność, że produkt ten spełnia następujące normy lub dokumenty normatywne:

2006/42/EG, 2014/30/EU, 2011/65/EU

EN 62841-1: 2015, EN 62841-2-4: 2014,
EN 55014-1: 2006 + A1:2009 + A2:2011,
EN 55014-2: 2015, EN 61000-3-2: 2014,
EN 61000-3-3: 2013, EN 50581:2012

CE Festool GmbH
Wertstr. 20, D-73240 Wendlingen
GERMANY

ppa 

Wolfgang Zondler
Head of Research, Development and Technical
Documentation

Wendlingen, 2016-11-11

* im definierten Seriennummer-Bereich (S-Nr.) von 400000000 - 499999999
in the specified serial number range (S-Nr.) from 400000000 - 499999999
dans la plage de numéro de série (S-Nr.) de 400000000 - 499999999

Original operating manual


1 Symbols

Symbol Significance

	Warning of general danger
	Risk of electric shock
	Read operating instructions and safety notices!
	Wear ear protection.
	Wear a dust mask.
	Wear protective goggles.
	Do not dispose of as domestic waste.
	Tip or advice
	Handling instruction
	Safety class II

2 Safety instructions

2.1 General safety instructions


 **WARNING!** Read all safety warnings, instructions, illustrations and specifications provided with this power tool. Failure to follow all instructions listed below may result in electric shock, fire and/or serious injury.


Save all warnings and instructions for future reference.

The term "power tool" in the warnings refers to your mains-operated (corded) power tool or battery-operated (cordless) power tool.

2.2 Machine-related safety instructions

– **Dust that is harmful to your health may be produced as you work (e.g. paint products containing lead and some types of wood).** Contact with or inhalation of this dust may pose a risk for the operating personnel or persons in the vicinity. Observe the safety regulations that apply in your country.

 Wear a P2 respiratory mask to protect your health. In enclosed spaces, ensure that there is sufficient ventilation and connect an extraction system.



 Always wear protective goggles to protect against sanding hazards.

- **Clean work equipment soaked in oils, for example sanding pad or polishing felt, with water and allow to dry.** Work equipment soaked in oil may combust spontaneously.
- **Attention: Risk of fire! Avoid overheating the grinding material and the sander. Always empty the dust container before taking a break.** Swarf in the filter bag or filter of the mobile dust extractor may self-ignite in unfavourable conditions such as flying sparks when grinding metals. Particular danger exists if the swarf is mixed with paint, polyurethane residue or other chemical materials and the grinding material is hot after long periods of work.
- **If the power tool is dropped or falls, check for damage to the machine and sanding pad. Remove the sanding pad for closer inspection. Have the damaged parts repaired before use.** Broken sanding pads and damaged machines can cause injuries and machine instability.
- **Always use original Festool sanding pads.**
- **While using the long-life dust bag be aware of electric charge. Always when possible use an antistatic suction hose with the power tool.** A slight electric shock may cause you to panic briefly and become distracted, which may result in an accident.
- **Only for AS/NZS:** The tool shall always be supplied via residual current device with a rated residual current of 30 mA or less.

2.3 Emission levels

Typically, the noise levels that are determined in accordance with EN 62841 (see EC declaration of conformity) are as follows:

	DTS 400 REQ	RTS 400 REQ
Sound pressure level L_{PA}	72 dB(A)	73 dB(A)
Noise level L_{WA}	83 dB(A)	84 dB(A)
Uncertainty K	3 dB	3 dB

  **CAUTION**

When working with noise

Damage to hearing

▶ Always use ear protection.

Vibration emission value a_h (vector sum for three directions) and uncertainty K measured in accordance with EN 62841 (see EU Declaration of Conformity):

	DTS 400 REQ	RTS 400 REQ
Vibration emission level (3 directions) a_h	3,5 m/s ²	< 2,5 m/s ²
Uncertainty K	1,5 m/s ²	1,5 m/s ²

The specified emission values (vibration, noise)

- are used to compare machines.
- They are also used for making preliminary estimates regarding vibration and noise loads during operation.
- They represent the primary applications of the power tool.

4 Technical data

Orbital sander	DTS 400REQ	RTS 400REQ
Power	250 W	250 W
No-load speed	6000 - 12000 rpm	6000 - 12000 rpm
Max. speed ¹	16000 rpm	16000 rpm
Sanding stroke	2.0 mm	2.0 mm
Sanding pad	100 x 150 mm	80 x 130 mm
Weight (without mains cable, with sanding pad)	1.2 kg	1.2 kg

¹ Max. speed in the event of faulty electronics.

5 Machine features

- [1-1] On/Off switch
- [1-2] Plug it-connection
- [1-3] Speed control
- [1-4] Extractor connector
- [1-5] Sanding pad
- [1-6] Protector
- [1-7] Long-life dust bag
- [1-8] Dust bag adapter
- [1-9] Handle (insulated gripping surface)

The specified illustrations appear at the beginning of the Operating Instructions.

Increase possible for other applications, with other insertion tools or if not maintained adequately. Take note of idling and downtimes of machine!

3 Intended use

The sanders are designed for sanding wood, plastic, stone, composites, paint/varnish, filler and similar materials as directed. Metals and materials that contain asbestos must not be processed.

To guarantee electrical safety, the machine must not be damp or operated in a damp environment. The machine must only be used for dry sanding.



The user is liable for improper or non-intended use.

6 Commissioning



WARNING

Unauthorised voltage or frequency!

Risk of accident

- ▶ The mains voltage and the frequency of the power source must correspond with the specifications on the machine's name plate.
- ▶ In North America, only Festool machines with the voltage specifications 120 V/60 Hz may be used.



CAUTION

Heating of the Plug it connection if bayonet fitting is not completely locked

Risk of burns

- ▶ Before switching on the power tool, make sure that the bayonet fitting at the mains cable is closed fully and locked.

Connecting and detaching the mains power cable - see Fig. [2].

The switch **[1-1]** is an on/off switch (I = ON, 0 = OFF).

- ① In case of a power failure or if the mains connector is removed, move the on/off switch immediately to the Off position. This prevents uncontrolled restarting.

7 Settings



WARNING

Risk of injury, electric shock

- ▶ Always pull the mains plug out of the socket before performing any type of work on the machine!

7.1 Electronics

Smooth start-up

The electronically controlled smooth start-up ensures that the machine starts up jolt-free.

Constant speed

The preselected motor speed is kept constant through electronic control. This means that, if the machine is used as intended (reasonable contact pressure), a constant sanding speed is achieved.

Setting and adjusting the speed

The speed can be set **[1-3]** between 6000 and 12000 min⁻¹ using the adjusting wheel.

This enables you to optimise the sanding speed to suit the material (see chapter 8).

7.2 Changing sanding pad [3]



An optimal work result can only be achieved using original accessories and consumables.

The use of non-original accessories or consumables invalidates the right to claim under warranty.

If the StickFix coating on the sanding pad has worn out, the entire sanding pad can be replaced:

- ① Undo the four screws.
- ② Remove the sanding pad by pulling it downwards.
- ③ Attach the new sanding pad.
- ④ Use four screws to tighten it by hand (2.5 Nm).

7.3 Attaching sanding accessories using StickFix [3a]

The suitable StickFix sandpaper and StickFix sanding cloth can be attached quickly and simply to the StickFix sanding pad.

- ▶ Affix the self-adhesive sanding accessory to the sanding pad.

7.4 Dust extraction



WARNING

Dust hazard

- ▶ Dust can be hazardous to health. Always work with a dust extractor.
- ▶ Always read applicable national regulations before extracting hazardous dust.

Integral dust extractor with long-life dust bag

As standard, the sanders are equipped with an integral dust extractor. The sanding dust is extracted through extraction openings in the sanding pad and is collected in the dust bag.

Installing the dust bag [4]

- ① Slide the dust bag adapter onto the extractor connection piece.
- ② Slide the dust bag onto the adapter until it clicks into place.



If the suction power is decreasing, empty the dust bag.

- ① Press the dust bag onto the actuating elements.
- ② Remove the dust bag by moving it towards the rear.
- ③ Open the flap on the dust bag.
- ④ Empty the dust bag and dispose of the waste.

Dust extraction with Festool's mobile dust extractor

To prevent having to frequently empty the dust bag when carrying out sanding work for a long period of time, you can connect Festool's mobile dust extractor (with an extraction hose diameter of 27 mm) to the extractor connection piece **[1-4]**.

Recommendation: Use an antistatic suction hose. This helps reduce the electric charge.

7.5 Edge protector [5]

The edge protector **[1-6]** prevents the sanding pad circumference from coming into contact with a surface (e.g. when sanding along a wall or a window), thus preventing back-kick of the machine, or machine damage.

8 Working with the machine



WARNING

Risk of injury

- ▶ Always secure the workpiece in such a manner that it cannot move while being machined.

Observe the following instructions:

- Do not overload the machine by pressing with excessive force! The best sanding results are achieved with moderate application pressure. The sanding capacity and quality are mainly dependent on the selection of the correct abrasive.
- Work in corners and on edges tends to subject the tip to increased stress and results in increased heat development. In such cases, work with reduced contact pressure.
- Hold the machine with one hand on the handle [1-9].

For sanding, we recommend the following settings for the adjusting wheel [1-3]:

Sanding work	Adjusting wheel setting
<ul style="list-style-type: none"> - Sanding with max. abrasion - Sanding off old paint - Sanding of wood and veneered surface prior to paintwork - Intermediate sanding of paintwork on surfaces 	5 - 6
<ul style="list-style-type: none"> - Sanding thinly applied undercoat - Sanding wood with sanding cloth - Edge breaking on wooden parts - Smoothing primed wooden surfaces 	4 - 5
<ul style="list-style-type: none"> - Sanding solid wood and veneered edges - Sanding rebate of windows and doors - Intermediate sanding of paintwork at edges - Light sanding of natural wood windows using sanding cloth - Smoothing wooden surfaces using sanding cloth before staining - Rubbing or removing excess limestone residue using sanding cloth 	3 - 4
<ul style="list-style-type: none"> - Intermediate sanding of paintwork on stained surfaces - Cleaning natural wood window rebate using sanding cloth 	2 - 3
<ul style="list-style-type: none"> - Sanding stained edges - Sanding of thermoplastics 	1 - 2

9 Service and maintenance**WARNING****Risk of injury, electric shock**

- ▶ Always disconnect the mains plug from the socket before performing maintenance work on the machine!
- ▶ All maintenance and repair work which requires the motor housing to be opened must only be carried out by an authorised service workshop.



Customer service and repair only through manufacturer or service workshops: Please find the nearest address at: www.festool.com/service



Only use original Festool spare parts! Order No. at: www.festool.com/service

The machine is equipped with special carbon brushes. If they are worn out, the power is interrupted automatically and the machine comes to a standstill.

To ensure constant air circulation, always keep the cooling air openings in the motor housing clean and free of any obstruction.

In the event of a slowdown in performance or increased vibrations, blow and clean cooling air openings.

10 Accessories

Use only original Festool sanding pads. Low-quality sanding pads may cause serious machine imbalance that decreases the quality of the working results and increases machine wear.

The order numbers of the accessories and tools can be found in the Festool catalogue or on the Internet under "www.festool.com".

11 Environment

Do not dispose of electric power tools in household waste! Recycle devices, accessories and packaging. Observe applicable country-specific regulations.

EU only: In accordance with European Directive on waste electrical and electronic equipment and implementation in national law, used electric power tools must be collected separately and handed in for environmentally friendly recycling.

Information on REACH: www.festool.com/reach