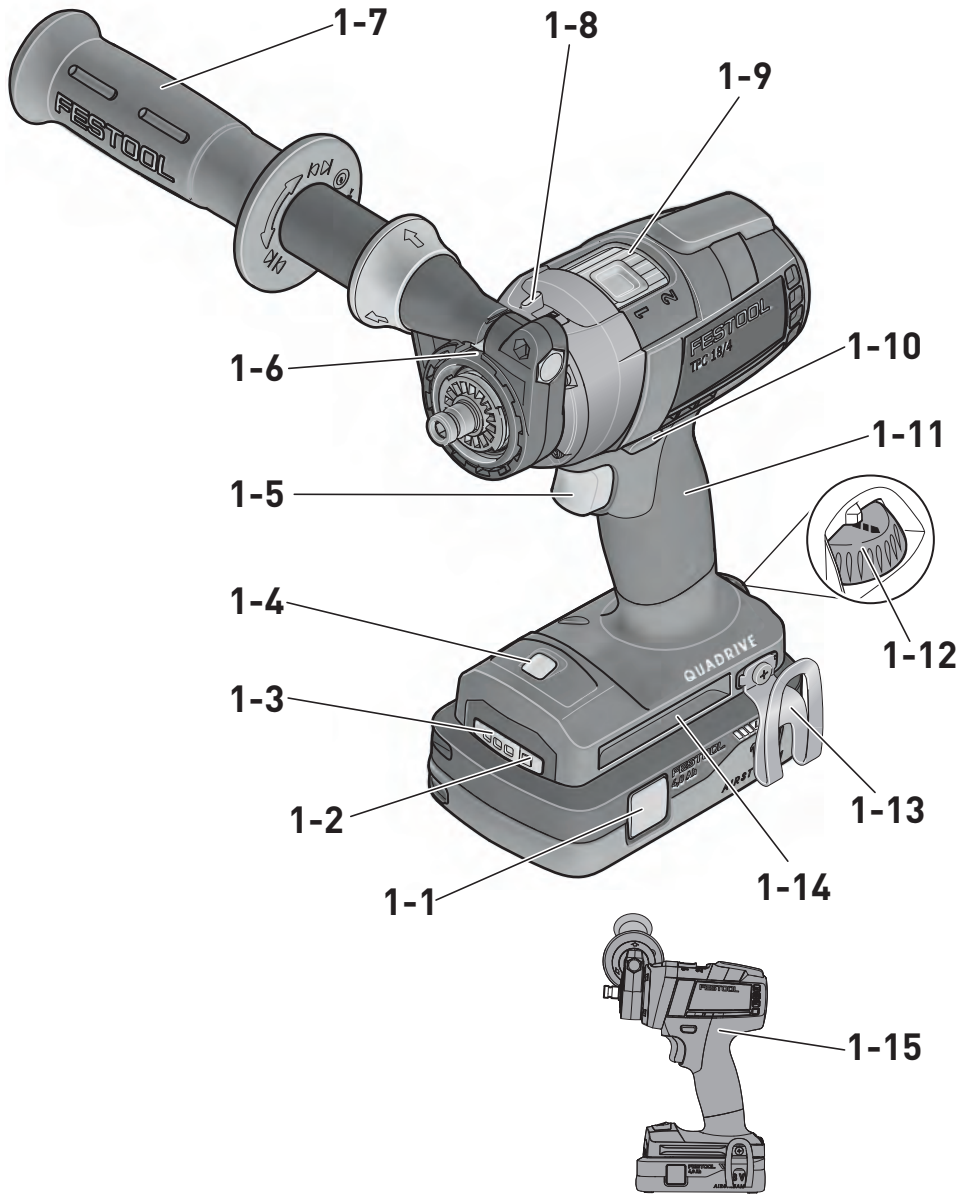


de	Originalbetriebsanleitung - Akku-Schlagbohrschrauber	8
en	Original Instructions - Cordless impact drill	15
fr	Notice d'utilisation d'origine - Perceuse-visseuse à percussion sans fil	22
es	Manual de instrucciones original - Taladro atornillador de percusión a batería	30
it	Istruzioni d'uso originali - Trapano avvitatore con percussione a batteria	38
nl	Originele gebruiksaanwijzing - Accu-klopboormachine	46
sv	Originalbruksanvisning - Skruvdragare och slagborr	53
fi	Alkuperäiset käyttöohjeet - Akkuiskuporakone	60
da	Original driftsvejledning - Akku slagbore-/skruemaskine	67
nb	Originalbruksanvisning- Batteridrevet slagbor-skrumaskin	74
pt	Manual de instruções original - Aparafusadoras de percussão de bateria	81
ru	Оригинальное руководство по эксплуатации — Аккумуляторная ударная дрель-шуруповёрт	89
cs	Originální provozní návod – Akumulátorový příklepový vrtací šroubovák	97
pl	Oryginalna instrukcja obsługi - Akumulatorowa wiertarko-wkrętarka udarowa	104

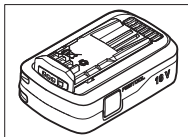
TPC 18/4



1

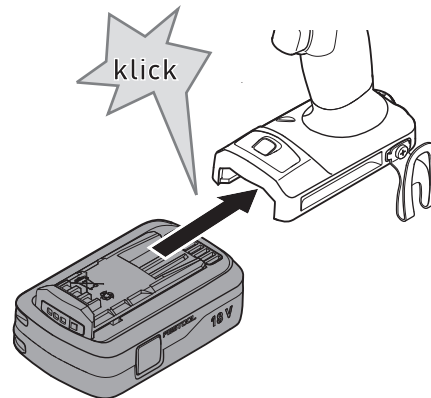
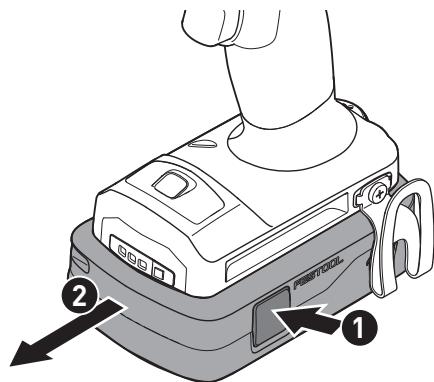
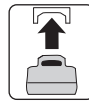


2A

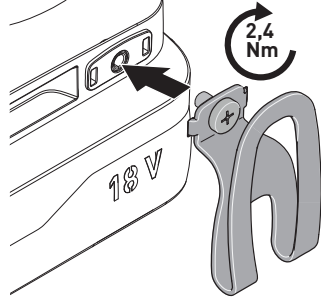


→ BP/C 18

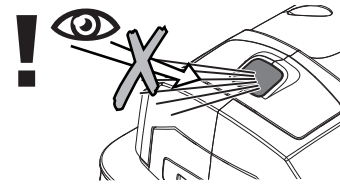
2B



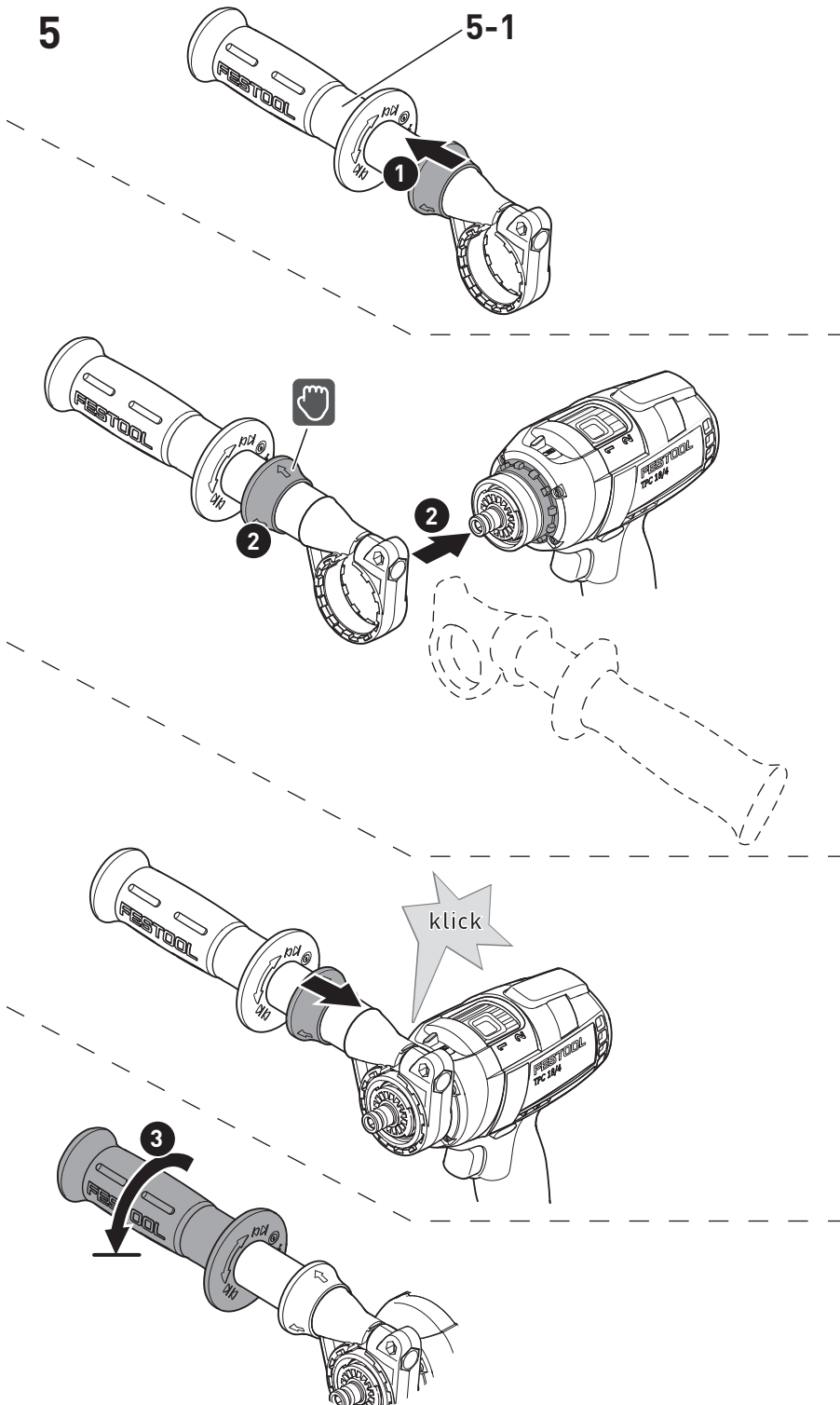
3



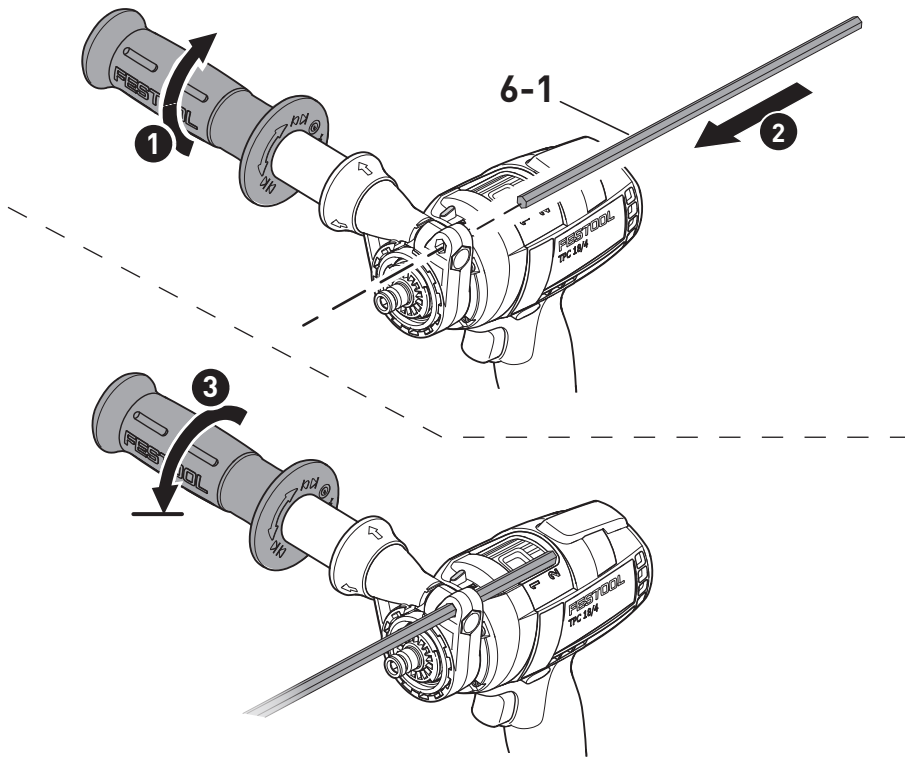
4



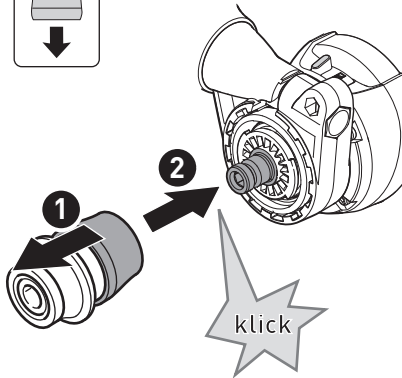
5



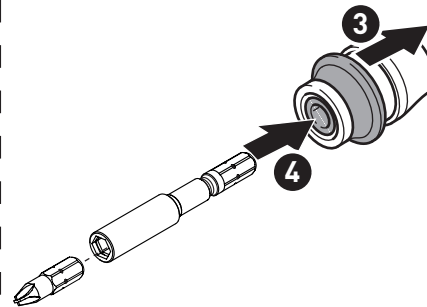
6



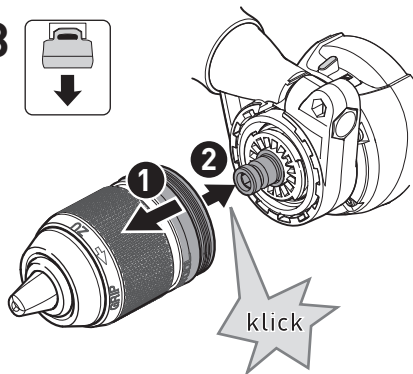
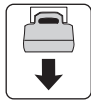
7



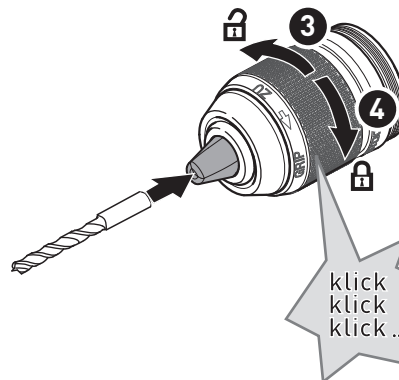
WH-CE
CENTROTEC®

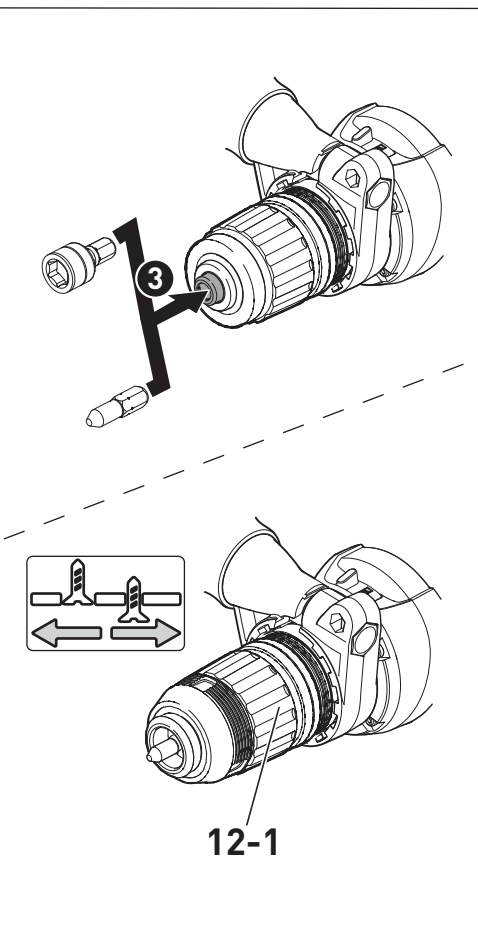
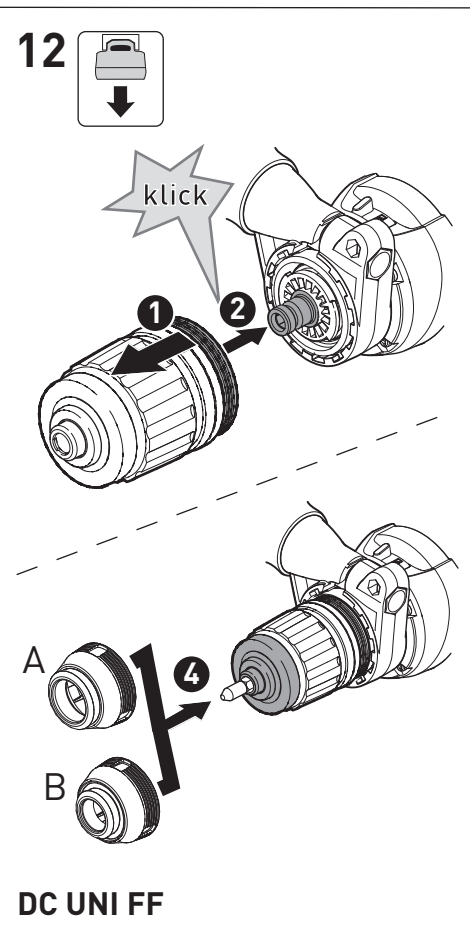
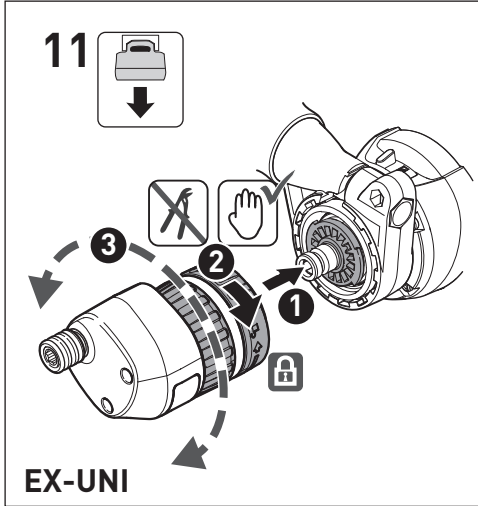
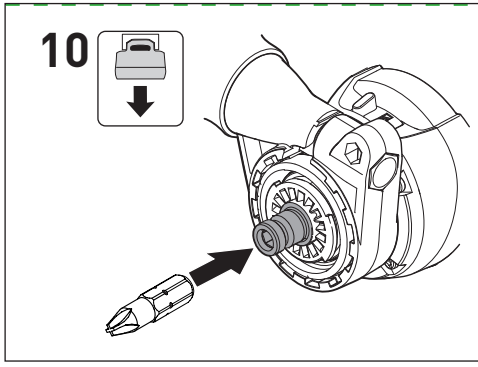
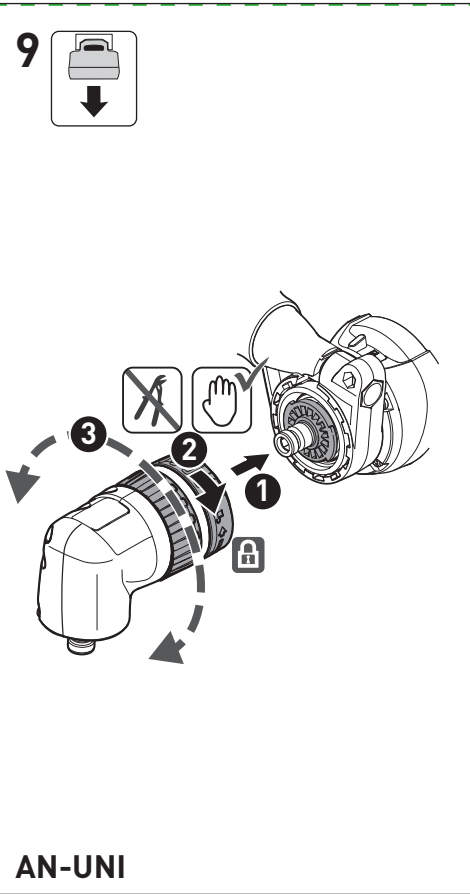


8



KC 13




















Contents

1	Symbols.....	15
2	Safety warnings.....	15
3	Intended use.....	17
4	Technical data.....	17
5	Parts of the device.....	17
6	Battery pack.....	18
7	Commissioning.....	18
8	Settings.....	18
9	Tool holder, attachments.....	19
10	Working with the electric power tool.....	19
11	Warning signals.....	20
12	Service and maintenance.....	20
13	Environment.....	20
14	General information.....	21


1 Symbols

-  Warning of general danger
-  Warning of electric shock
-  Read the operating instructions and safety instructions.
-  Wear ear protection.
-  Wear a dust mask.
-  Wear protective goggles.
-  Wear protective gloves when changing tools and working with raw materials.
-  Inserting the battery pack.
-  Remove the battery pack.
-  Hold in this position.
-  Only assemble by hand!
-  Do not dispose of it with domestic waste.
-  CE marking: Confirms the conformity of the power tool with the European Community directives.

 Tool contains a chip which stores data. See section 14.1


 Tip or advice

 Handling instruction

 UKCA marking: The United Kingdom Conformity Assessed symbol is a marking for products being placed on the market in the United Kingdom. It is a manufacturers indication that the product is in conformance with the relevant regulations in the UK.

2 Safety warnings

2.1 General power tool safety warnings

 **WARNING! Read all safety warnings, instructions, illustrations and specifications provided with this power tool.** Failure to follow all instructions listed below may result in electric shock, fire and/or serious injury.

Save all warnings and instructions for future reference.

The term "power tool" in the warnings refers to your mains-operated (corded) power tool or battery-operated (cordless) power tool.


Follow the operating manual for the charger and the battery pack.


2.2 Machine-specific safety notices

- **Wear ear protectors when impact drilling.** Exposure to noise can cause hearing loss.
- **Use the auxiliary handle(s).** Loss of control can cause personal injury.
- **Hold the power tool by insulated gripping surfaces, when performing an operation where the cutting accessory or fasteners may contact hidden wiring.** Cutting accessory contacting a "live" wire may make exposed metal parts of the power tool "live" and could give the operator an electric shock.
- **Use appropriate detection devices to look for any hidden supply lines or consult your local utility company.** If the insertion tool makes contact with live cables, it can result in fire and electric shock. Damage to a gas pipe can lead to an explosion. Penetration of a water pipe can result in damage to property.
- **Keep the power tool away from magnetic fields.** The power tool may switch on unexpectedly and cause injury.



– **Wear suitable personal protective equipment:** Ear protection, safety goggles, a dust mask for work that generates dust.

 **CAUTION! Power tool can jam and cause sudden kickback!** Switch off immediately!

- **Firmly hold the power tool with both hands, with one hand on the handle [1-11] and the other hand on the auxiliary handle [1-7]. Make sure the speed is adjusted correctly when screwdriving. Be prepared for a high reaction torque,** which may cause the power tool to turn and lead to injury.
- **Do not use the power tool in the rain or in damp surroundings.** Moisture in the power tool may cause a short circuit and fire.
- **Wait until the power tool has come to a complete halt before placing it down.** The insertion tool can get caught and lead to a loss of control of the power tool.
- **Avoid unintentional activation.** Carrying the electric power tool with your fingers on the on/off switch can lead to accidents. If you are not using the power tool, set the rotational direction switch/safety lock [1-10] to the centre position to lock the on/off switch.
- **Do not use power supply units or third-party battery packs to operate cordless power tools. Do not use third-party chargers to charge the battery packs.** The use of accessories not expressly authorised by the manufacturer can result in electric shocks and/or serious accidents.
- **Only for AS/NZS:** The tool shall always be supplied via residual current device with a rated residual current of 30 mA or less.
-  **Warning of harmful light radiation. Do not look into the light beam for long periods. Do not direct the light beam towards other people or animals.** Optical radiation can damage the eyes – [4].
- Use a dust extractor when working with dust.
- **Only use tools and accessories which have been approved by Festool for this power tool.** The use of tools or accessories which have not been approved may increase the risk of injury and seriously unbalance the

machine. This may decrease the quality of the working results and accelerate wear on the power tool.

2.3 Safety instructions when using long drill bits

- **Never operate at higher speed than the maximum speed rating of the drill bit.** At higher speeds, the bit is likely to bend if allowed to rotate freely without contacting the workpiece, resulting in personal injury.
- **Always start drilling at low speed and with the bit tip in contact with the workpiece.** At higher speeds, the bit is likely to bend if allowed to rotate freely without contacting the workpiece, resulting in personal injury.
- **Apply pressure only in direct line with the bit and do not apply excessive pressure.** Bits can bend causing breakage or loss of control, resulting in personal injury.

2.4 Emission levels

Sound pressure level L_{PA} , sound power level L_{WA} and uncertainty K measured in accordance with EN 62841:

	L_{PA} [dB(A)]	L_{WA} [dB(A)]	K [dB]
Screwdriving	73	84	5
Drilling	73	84	5
Impact drilling	94	105	5



CAUTION

Noise generated when working
Risk of damage to hearing

- ▶ Use ear protection.

Vibration emission level a_h (vector sum for three directions) and uncertainty K measured in accordance with EN 62841:

	a_h [m/s ²]	K [m/s ²]
Screwdriving	< 2.5	1.5
Drilling	3	1.5
Impact drilling	14	1.5

The specified emission levels (vibration, noise)

- are used to compare machines.
- They are also used for making preliminary estimates regarding vibration and noise load during operation.

- They represent the primary applications of the power tool.



CAUTION

The emission values may deviate from the specified values. This is dependent on how the tool is used and the type of workpiece being machined.

- ▶ The actual load during the entire operating cycle must be evaluated.
- ▶ Depending on the actual load, suitable protective measures must be defined in order to protect the operator.

3 Intended use

Cordless impact drill suitable

- for drilling in metal, wood, plastics and similar materials,
- for impact drilling in brickwork, masonry and stone,
- for screwing in and tightening screws.
- intended for use with BP Festool battery packs of the same voltage class.



The user is liable for damage and accidents caused by improper and non-intended use; this also includes damage and wear caused by continuous industrial operation.

4 Technical data

Cordless impact drill		TPC 18/4
Motor voltage		18 V
No-load speed*	1. gear	0–500 rpm
	2. gear	0–800 rpm
	3. gear	0–2350 rpm
	4. gear	0–3600 rpm
Max. torque	Soft material (wood)	50 Nm
	Hard material (metal)	75 Nm
Adjustable torque**	1st gear/2nd gear	2–20 Nm
Chuck clamping range		1.5–13 mm
Max. drill diameter	Wood	70 mm
	Metal	13 mm
	Masonry (tiles)	10 mm
Screwdriving in spruce	Max. Ø	10 mm
Tool holder in drill spindle		1/4 ''
Weight as per EPTA Procedure 01:2014 (with auxiliary handle, BP 18 Li 6.2 AS battery pack and chuck)		2.6 kg
Weight incl. Centrotec, excl. auxiliary handle and battery pack.		1.4 kg

* Speed values based on fully charged battery pack.

** The maximum speed (value for clockwise rotation) is reduced in the lower torque settings.

5 Parts of the device

- [1-1]** Buttons for releasing the battery pack
- [1-2]** Capacity indicator button on battery pack
- [1-3]** Capacity indicator

- [1-4]** LED light
- [1-5]** On/off switch
- [1-6]** Collar
- [1-7]** Auxiliary handle
- [1-8]** Drilling/impact drilling selector switch

- [1-9]** Gear switch
- [1-10]** Rotational direction switch and safety lock/transport lock
- [1-11]** Handle
- [1-12]** Thumbwheel for torque/drilling/lighting duration on and duration off
- [1-13]** Belt clip
- [1-14]** Bit store
- [1-15]** Insulated gripping surfaces (grey shaded area)

Accessories shown or described are not always included in the scope of delivery.


The specified illustrations appear at the beginning of the Operating Instructions.

6 Battery pack

Before using the battery pack, check that the battery interface is clean. Any contamination of the battery interface may impair correct contact and lead to the contacts being damaged.

A faulty contact may result in the machine overheating or being damaged.

[2A] Remove the battery pack.

[2B]  Insert the battery pack – until it clicks into place.

i Further information about the charger and battery pack with capacity indicator can be found in the corresponding operating manual.

7 Commissioning



CAUTION

Risk of injury

- Only assemble when the power tool is switched off!

7.1 Belt clip [1-13]

The belt clip allows the power tool to be attached to work attire for brief periods. It can be attached to the right or left of the power tool using a screw **[3]**.

7.2 Fitting the auxiliary handle [5]

WARNING! Always use the auxiliary handle.

- Check that the auxiliary handle **[5-1]** is securely in place.

7.3 Inserting the stop bar [6]

The drilling depth can be adjusted using the stop bar **[6-1]**.

7.4 Switching on/off [1-5]

Press = ON, release = OFF

- i** The speed can be continuously adjusted, relative to the pressure applied to the on/off switch.

Set the rotational direction switch **[1-10]** to the centre position to lock the on/off switch.

The LED light **[1-4]** lights up when the on/off switch **[1-5]** is pressed, see section **8.4**.

8 Settings



CAUTION

Risk of injury

- Only adjust the settings when the power tool is switched off.

8.1 Changing direction of rotation [1-10]

- Switch to the left = clockwise rotation
- Switch to the right = counterclockwise rotation

8.2 Changing gear

The gear switch **[1-9]** can be used to switch the gear unit when the power tool is switched off.

8.3 Adjusting the torque [1-12]

Screwdriving


Torque corresponding to setting at the thumbwheel **[1-12]**:

Position 1 = low torque

Position 13 = high torque

There is a **signal** when the set torque is reached and the power tool switches off. The power tool only starts up again if the on/off switch **[1-5]** is released and pressed again.


Drilling


Marking shows the drill symbol  = maximum torque.

8.4 Adjust lighting [1-12]



Configure lighting at the thumbwheel **[1-12]**.

Marking shows position 1 to 13 or drill symbol . The LED light **[1-4]** automatically switches on and off with the power tool. The LED light has an afterglow for a short time after the tool has been switched off.

 **Marking shows lighting duration on/maximum torque.** Briefly apply pressure on the on/off switch [1-5] to permanently switch the LED light on. After ten minutes, the LED light automatically switches off.


 **Marking shows lighting duration off/maximum torque.** The LED light is permanently switched off.

8.5 Impact drilling

Move the selector switch [1-8] to the hammer symbol . Set the thumbwheel [1-12] to the drill symbol .

8.6 Festool Work app

The power tool can be configured with the Festool Work app.

 The battery pack is connected via Bluetooth®, see the operating manual for the battery pack.

9 Tool holder, attachments



WARNING

Risk of injury


- ▶ Remove the battery pack from the power tool before performing any work on the power tool.



CAUTION

Risk of injury from hot and sharp insertion tool

- ▶ Do not use any blunt or faulty insertion tools.
- ▶ Wear protective gloves when handling an insertion tool.

 **Prior to initial use:** Apply some multipurpose grease to the drill spindle.

9.1 CENTROTEC tool chuck [7]

Fast changeover of tools with CENTROTEC shaft.

WARNING! Only clamp CENTROTEC tools in CENTROTEC tool chucks.



Wear gloves when replacing tools.

9.2 Chuck [8]

For clamping drill bits and bits with max. shaft diameter of 13 mm.

WARNING! Clamp the tool centrally in the chuck.

9.3 Angle attachment [9]

Drilling and screwdriving at right angles to the power tool (available as an accessory depending on the model).

9.4 Tool holder in the drill spindle [10]

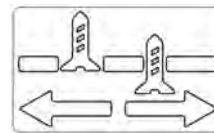
Bits can be inserted directly into the hexagon socket holder of the drill spindle.

9.5 Eccentric adapter [11]

Screwdriving close to edges with bits according to ISO 1173 (available as an accessory depending on the model).

9.6 Depth stop [12]

The depth stop (available as an accessory depending on the model) allows a screw to be tightened with a defined depth. You can set the dimension to which the screwhead is to project over the workpiece surface, or to which it is to be inserted.



Depth adjustment

Firmly set the required screw-in depth by turning the housing [12-1]. Each catch alters the screw-in depth by 0.1 mm.

To unscrew a screw, the A/B sleeve must first be removed.

10 Working with the electric power tool



WARNING

Risk of injury

- ▶ Only position the power tool on the screw when it is switched off.
- ▶ Always secure the workpiece in such a manner that it cannot move during machining.
- ▶ Keep hands away from the rotating tools.



CAUTION

Risk of burns

The tool holder and tool may become very hot during operation.

- ▶ Allow them to cool down before attaching them to the belt clip.

10.1 Kickback stop



WARNING

Risk of injury

The kickback stop does not guarantee complete protection against a kickback.

- ▶ Always concentrate on your work and refer to the safety instructions and warnings.



The kickback stop is triggered if the tool is jammed, causing the power tool to rotate around the screw axis suddenly and unexpectedly. The power tool switches off, beeps once and the LED light flashes continuously.

After the kickback stop has been triggered:

- ▶ Release the on/off switch [1-5].
- ▶ Eliminate the cause of the jam.
- ▶ Press the on/off switch again.

10.2 Bit store [1-14]



CAUTION






Risk of injury from metal cuttings in the bit store.

- ▶ Clean the bit store regularly and clear out metal cuttings.

Magnetic, for storing bits and bit holders.

11 Warning signals

Warning signals occur and the power tool switches off in the following operating states:

Signal	LED light	Cause	Action
Beeps once. 	-	Battery pack empty/incompatible. Power tool overloaded. When pressing the on/off switch: Power tool has overheated.	Charge/change the battery pack. Reduce the load on the power tool. Once it has cooled down, restart the power tool.
Beeps once. 	Flashes continuously. 	Kickback stop triggered.	See section 10.1.
Beeps twice. 	-	Preset torque reached.	-
Beeps continuously. 	-	The power tool is faulty.	Contact the manufacturer to rectify the fault.

12 Service and maintenance



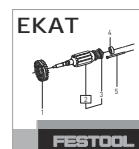
WARNING

Risk of injury, electric shock

- ▶ Always remove the battery pack from the power tool before performing any maintenance or service work.
- ▶ All maintenance and repair work which requires the motor housing to be opened should always be carried out by an authorised service workshop.



Customer service and repairs must only be carried out by the manufacturer or service workshops. Find the nearest address at: www.festool.co.uk/service



Always use original Festool spare parts. Order no. at: www.festool.co.uk/service

To ensure constant air circulation, always keep the cooling air openings in the motor housing clean and free of blockages.

Keep the contacts on the power tool, charger and battery pack clean.

13 Environment



Do not dispose of the device in the household waste! Recycle devices, accessories and packaging. Observe applicable national regulations.

EU only: In accordance with the European Directive on waste electrical and electronic

equipment and implementation in national law, used power tools must be collected separately and handed in for environmentally friendly recycling.

Information on REACH: www.festool.com/reach

14 General information

Imported into the UK by

Festool UK Ltd
1 Anglo Saxon Way
Bury St Edmunds
IP30 9XH
Great Britain

14.1 Information on data privacy

The power tool contains a chip which automatically stores machine and operating data. The data saved cannot be traced back directly to an individual.

The data can be read in a contactless manner using special devices and shall only be used by Festool for fault diagnosis, repair and warranty processing and for quality improvement or enhancement of the power tool. The data shall not be used in any other way without the express consent of the customer.

14.2 Bluetooth®

The Bluetooth® word mark and the logos are registered trademarks of Bluetooth SIG, Inc.; they are used by TTS Tooltechnic Systems AG & Co. KG, and therefore by Festool, under licence.