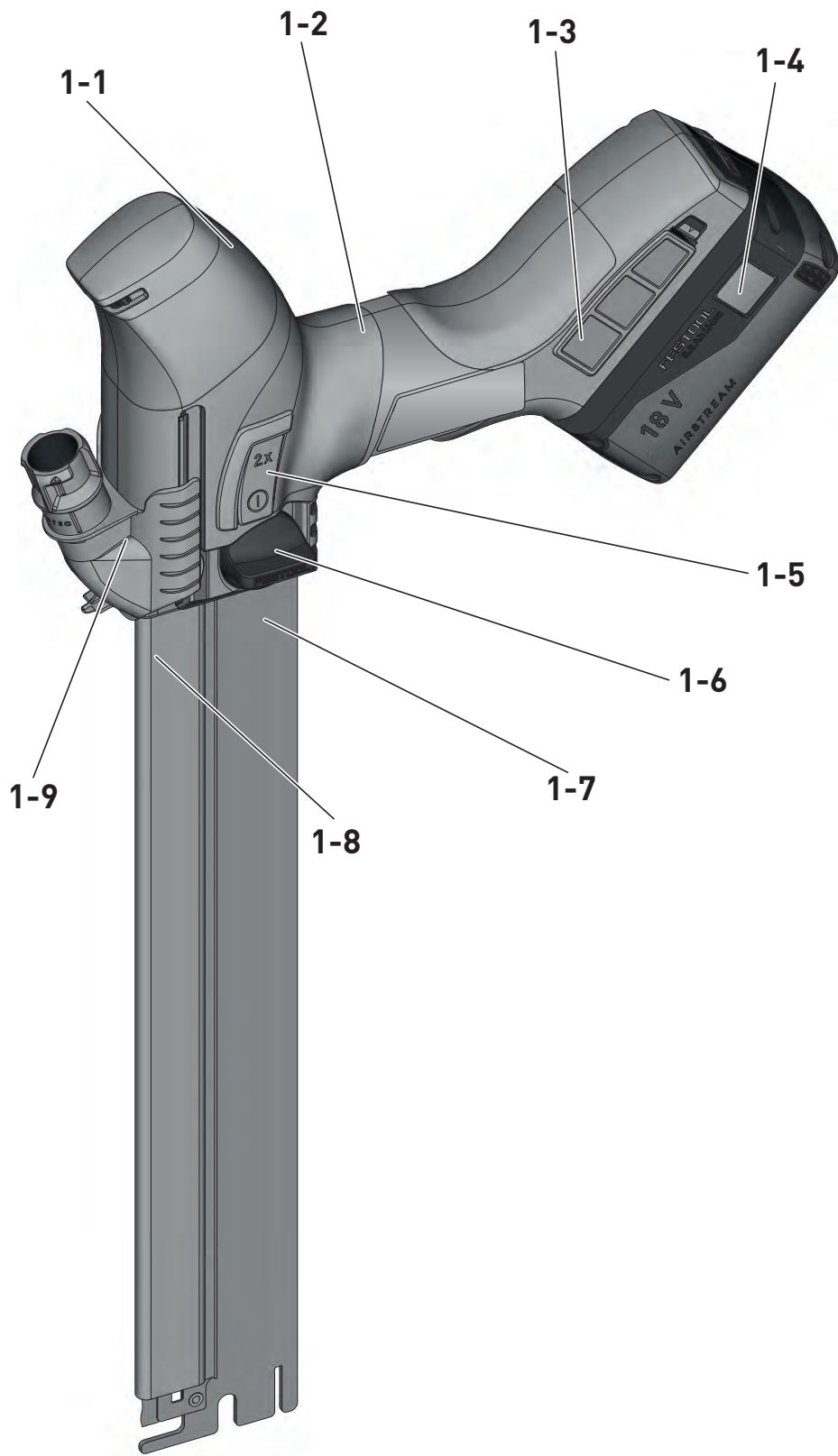


de	Originalbetriebsanleitung - Akku-Dämmstoffsäge	7
en	Original Instructions - Cordless insulating-material saw	15
fr	Mode d'emploi original - Scie sans fil pour matériaux isolants	22
es	Manual de instrucciones original - Sierra de batería para material aislante	30
it	Istruzioni originali - Sega per materiali isolanti a batteria	38
nl	Oorspronkelijke gebruiksaanwijzing - Accuzwaardzaag	46
sv	Originalbruksanvisning - Batteridrivnen såg för isoleringsmaterial	53
fi	Alkuperäinen käyttöopas - Akkueristesaha	60
da	Original brugsanvisning - Akku-isoleringssav	67
nb	Original bruksanvisning - Batteridrevet sag for isolasjonsmateriale	74
pt	Manual de instruções original - Serra de bateria para materiais isolantes	81
ru	Оригинальное руководство по эксплуатации - Аккумуляторная пила для резки изоляционных материалов	89
cs	Původní návod k obsluze - Akumulátorová pila na izolační materiály	97
pl	Oryginalna instrukcja obsługi - Akumulatorowa pilarka do materiałów izolacyjnych	104

ISC 240 Li



1



2a

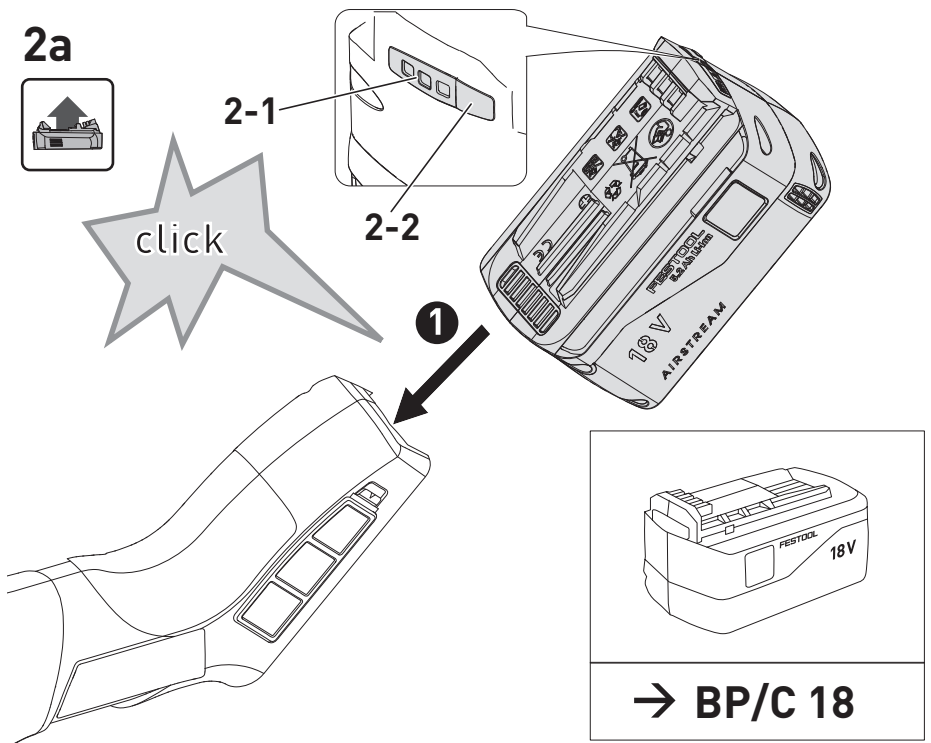


2-1

2-2

click

1

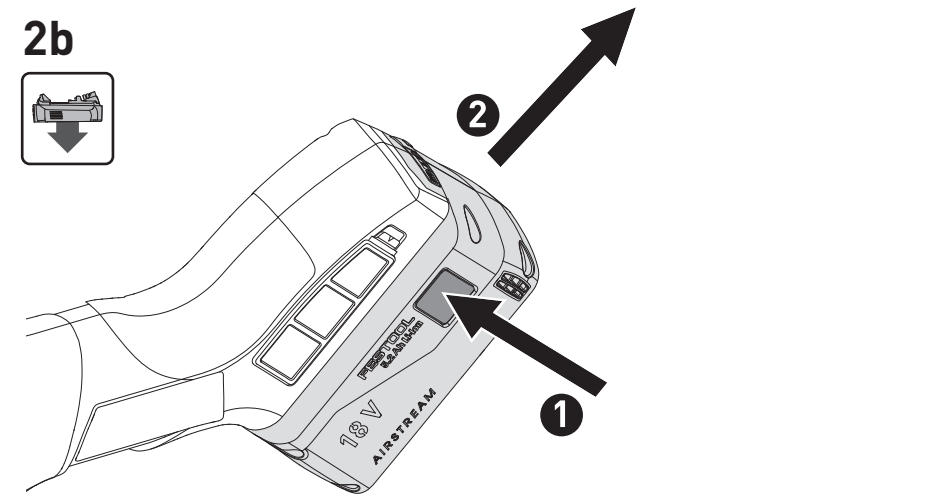


2b



2

1



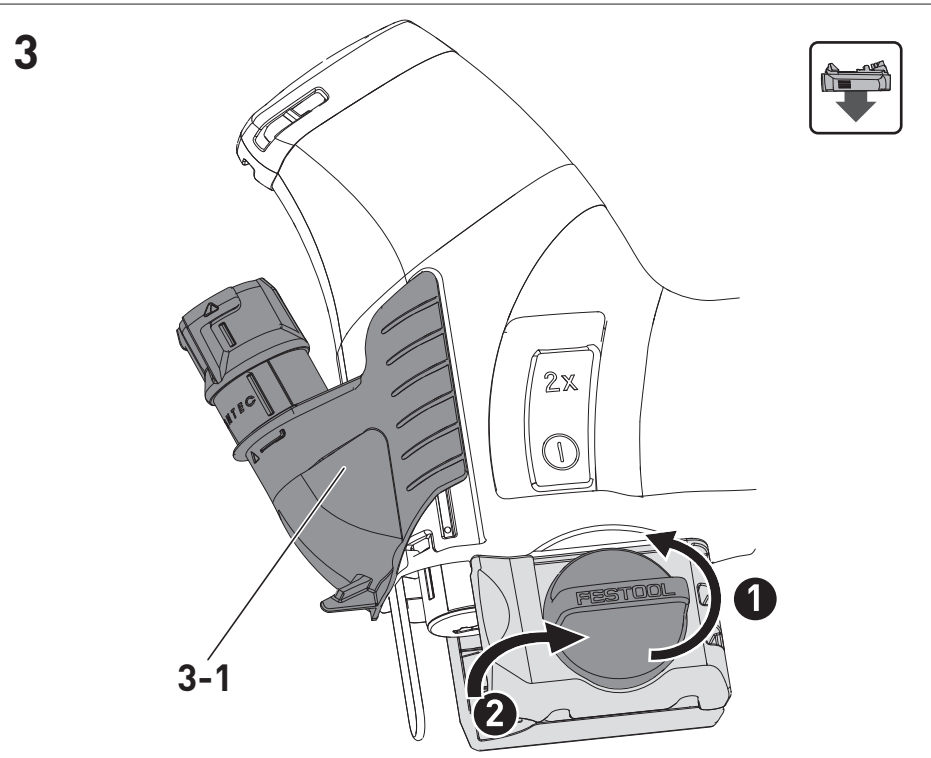
3



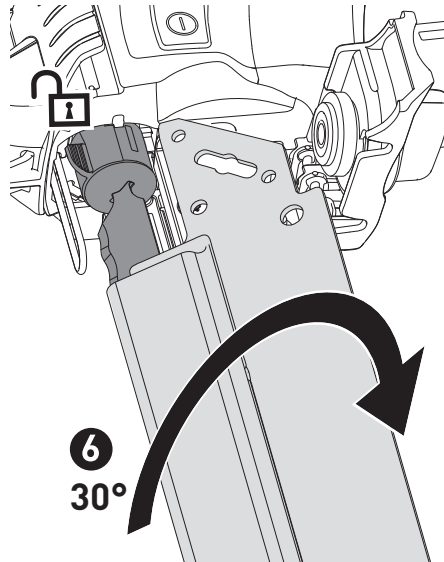
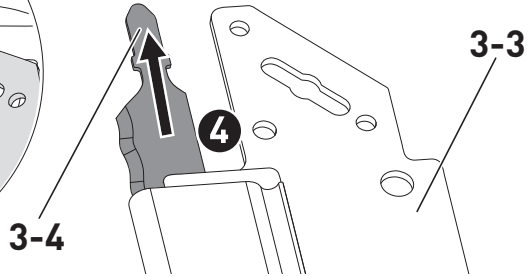
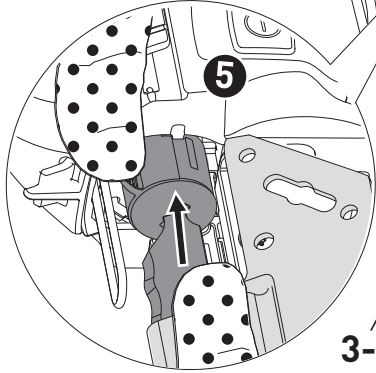
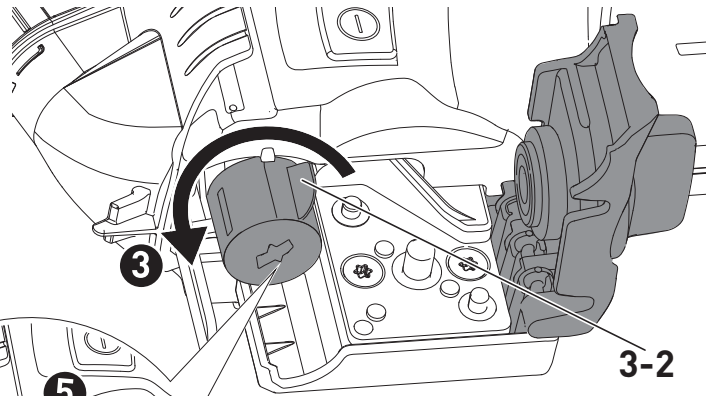
3-1

1

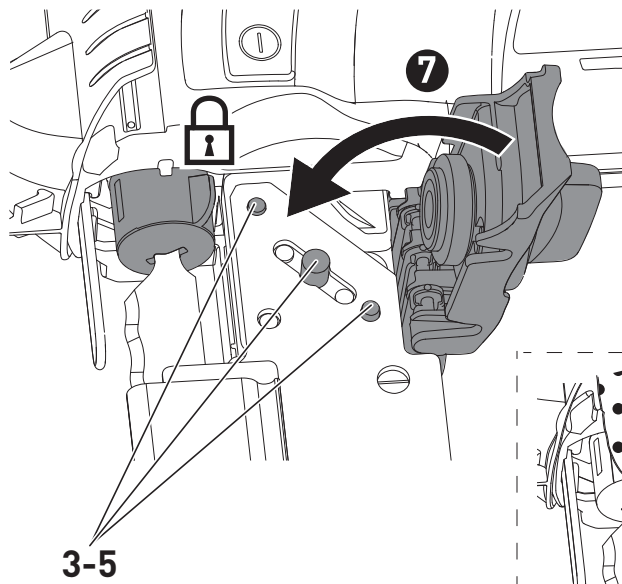
2



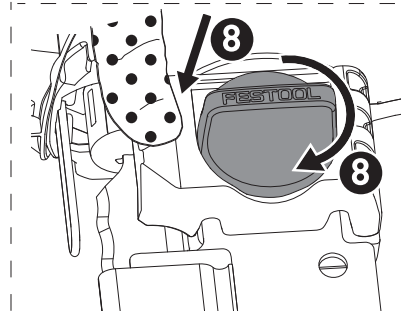
3



6
30°

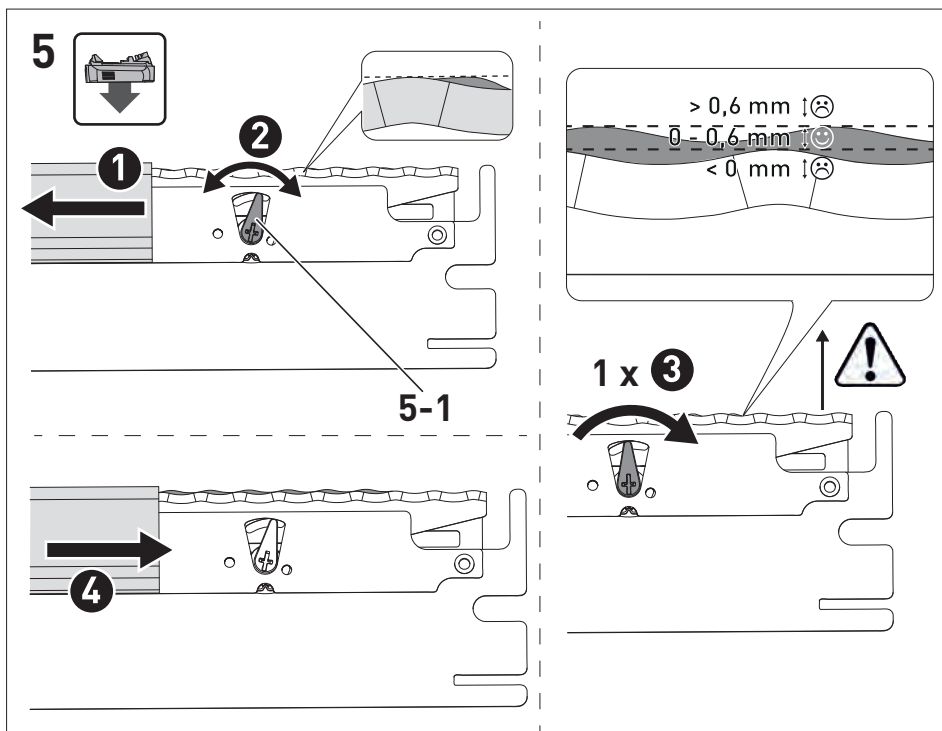
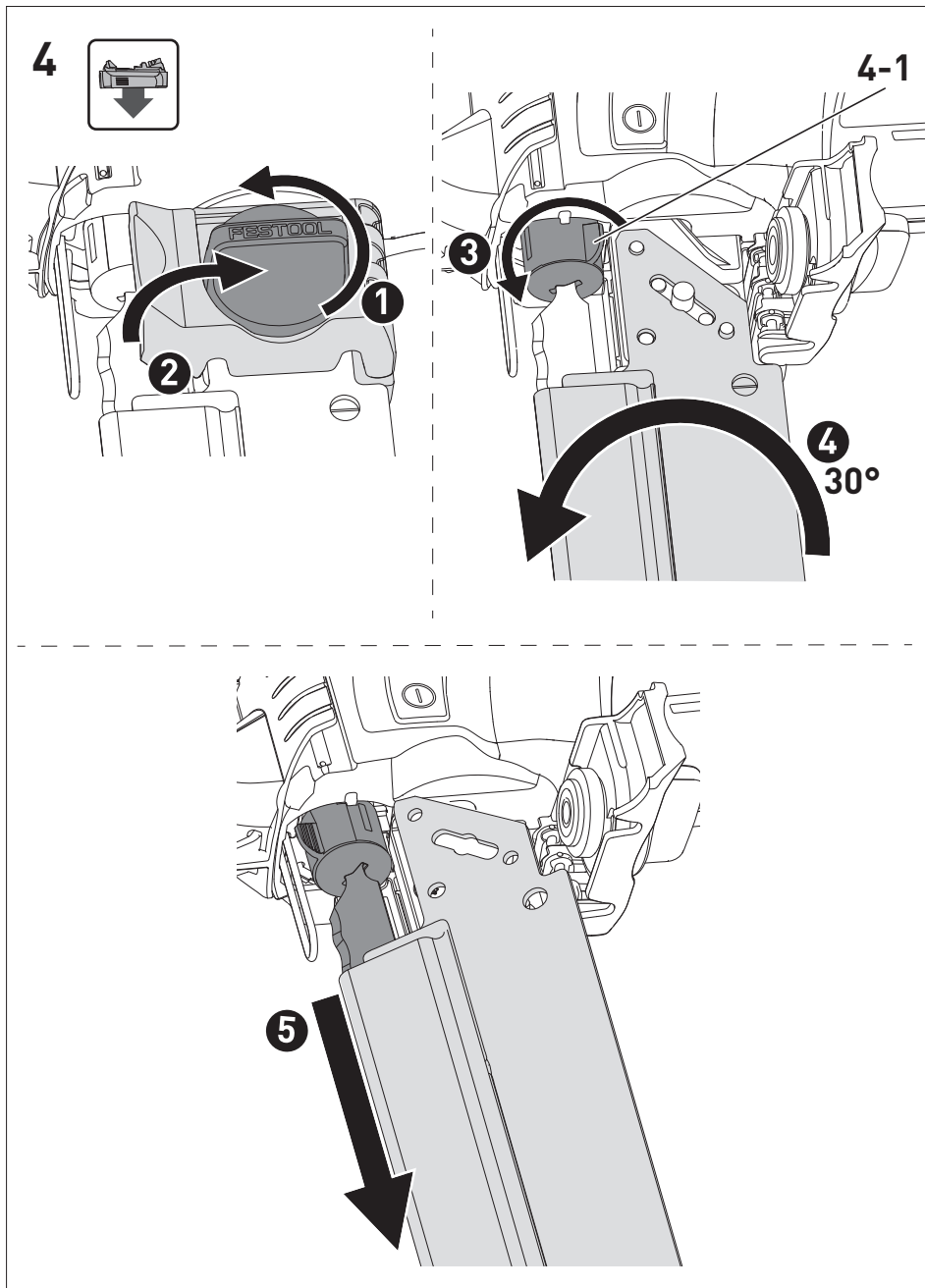


7



8

8



Akku-Dämmstoffsäge	Seriennummer ¹⁾
Cordless insulating-	Serial number ¹⁾
material saw	N° de série ¹⁾
Scie sans fil pour matéri-	
aux isolants	(T-Nr.)
ISC 240 Li	10021362

de EG-Konformitätserklärung. Wir erklären in alleiniger Verantwortung, dass dieses Produkt allen einschlägigen Bestimmungen der folgenden Richtlinien einschließlich ihrer Änderungen entspricht und mit den folgenden Normen übereinstimmt:

en EC-Declaration of Conformity. We declare under our sole responsibility that this product is in conformity with all relevant provisions of the following directives including their amendments and complies with the following standards:

fr CE-Déclaration de conformité communautaire. Nous déclarons sous notre propre responsabilité que ce produit est conforme aux normes ou documents de normalisation suivants:

es CE-Declaración de conformidad. Declaramos bajo nuestra exclusiva responsabilidad que este producto corresponde a las siguientes normas o documentos normalizados:

it CE-Dichiarazione di conformità. Dichiariamo sotto la nostra esclusiva responsabilità che il presente prodotto è conforme alle norme e ai documenti normativi seguenti:

nl EG-conformiteitsverklaring. Wij verklaren op eigen verantwoordelijkheid dat dit produkt voldoet aan de volgende normen of normatieve documenten:

sv EG-konformitetsförklaring. Vi förklarar i eget ansvar, att denna produkt stämmer överens med följande normer och normativa dokument:

fi EY-standardinmukaisuusvakuutus. Vakuutamme yksinvastuullisina, etta tuote on seuraavien standardien ja normatiivisten ohjeiden mukainen:

da EF-konformitetserklæring. Vi erklærer at have alene ansvaret for, at dette produkt er i overensstemmelse med de følgende normer eller normative dokumenter:

nb CE-Konformitetserklæring. Vi erklærer på eget ansvar at dette produktet er i overensstemmelse med følgende normer eller normative dokumenter:

pt CE-Declaração de conformidade. Declaramos, sob a nossa exclusiva responsabilidade, que este produto corresponde às normas ou aos documentos normativos citados a seguir:

ru Декларация соответствия ЕС. Мы заявляем с исключительной ответственностью, что данный продукт соответствует следующим нормам или нормативным документам:

cs ES prohlášení o shodě. Prohlašujeme s veškerou odpovědností, že tento výrobek je ve shodě s následujícími normami nebo normativními dokumenty:

pl Deklaracja o zgodności z normami UE. Niniejszym oświadczamy na własną odpowiedzialność, że produkt ten spełnia następujące normy lub dokumenty normatywne:

2006/42/EG, 2014/30/ EU²⁾, 2014/53/EU³⁾, 2011/65/EU

EN 62841-1:2015, EN 62841-2-11:2016, EN 55014-1:2017²⁾, EN 55014-2:2015²⁾, EN 300 328:2016 V2.1.1³⁾, EN 301 489-1:2017 V2.1.1³⁾, EN 301 489-17:2017 V3.1.1³⁾, EN 50581:2012

CE Festool GmbH
Wertstr. 20, D-73240 Wendlingen
GERMANY

Wendlingen, 2019-02-15

ppa. 

Markus Stark
Head of Product Development

i. A. 

Ralf Brandt
Head of Product Conformity

¹⁾ im definierten Seriennummer-Bereich (S-Nr.) von/in the specified serial number range (S-Nr.) from/dans la plage de numéro de série (S-Nr.) de 40000000 - 49999999

²⁾ gilt in Kombination mit Akku/valid in combination with battery pack/valable en combinaison avec batterie BP 18 Li 5,2 AS, BP 18 Li 6,2 AS, BP 18 Li 3,1 C

³⁾ gilt in Kombination mit Bluetooth® Akku/valid in combination with Bluetooth® battery pack/valable en combinaison avec Bluetooth® batterie BP 18 Li 5,2 ASI, BP 18 Li 6,2 ASI, BP 18 Li 3,1 CI

Die Wortmarke Bluetooth® und die Logos sind eingetragene Marken von Bluetooth SIG, Inc. und werden von der TTS Tooltechnic Systems AG & Co. KG und somit von Festool unter Lizenz verwendet./ The Bluetooth® word mark and the logos are registered trademarks of Bluetooth SIG, Inc.; they are used by TTS Tooltechnic Systems AG & Co. KG, and therefore by Festool, under licence./ La marque verbale Bluetooth® et les logos sont des marques déposées de Bluetooth SIG, Inc. et sont utilisés sous licence par TTS Tooltechnic Systems AG & Co. KG et donc par Festool GmbH.

Contents

1	Symbols.....	15
2	Safety warnings.....	15
3	Intended use.....	16
4	Technical data.....	17
5	Parts of the machine.....	17
6	Commissioning.....	17
7	Battery pack.....	18
8	Settings.....	18
9	Working with the machine.....	20
10	Service and maintenance.....	20
11	Accessories.....	21
12	Environment.....	21
13	General information.....	21

1 Symbols



Warning of general danger



Warning of electric shock



Read the operating instructions and safety instructions.



Wear ear protection.



Wear protective gloves.



Wear a dust mask.



Wear protective goggles.



Inserting the battery pack



Removing the battery pack



Do not dispose of it with domestic waste.



Tip or advice



Handling instruction



CE marking: Confirms the conformity of the power tool with the European Community directives.

2 Safety warnings

2.1 General power tool safety warnings



WARNING! Read all safety warnings, instructions, illustrations and specifications provided with this power tool. Failure to follow all instructions listed below may result in electric shock, fire and/or serious injury.

Save all warnings and instructions for future reference.

The term "power tool" in the warnings refers to your mains-operated (corded) power tool or battery-operated (cordless) power tool.

Follow the operating manual for the charger and the battery pack.

2.2 Machine-related safety instructions

- **Hold the power tool by insulated gripping surfaces, when performing an operation where the cutting accessory may contact hidden wiring.** Attaching accessory contacting a "live" wire may make exposed metal parts of the power tool "live" and could give the operator an electric shock.
- **Use clamps or another practical way to secure and support the workpiece to a stable platform.** Holding the workpiece by hand or against your body leaves it unstable and may lead to loss of control.
- Wait until the power tool has come to a complete halt before placing it down. The insertion tool can get caught and lead to a loss of control of the power tool.
- Do not use deformed or cracked saw blades or cutting sets or saw blades with blunt or broken cutting edges.
- The saw blade on the power tool must always be running when it makes contact with the workpiece.



- **Wear suitable personal protective equipment:** ear protection, safety goggles, a dust mask for work which generates dust, and protective gloves when working with raw materials and when changing tools.
- Hazardous/toxic dust may be produced during work (e.g. wood dust or mineral wool dust). Contact with or inhalation of this dust may pose a risk for the operating personnel or persons in the vicinity. Comply with the safety regulations that apply in your country.



Wear a P2 respiratory mask to protect your health.

- Always connect the machine to a dust extractor when performing work that generates dust.
- **Do not use power supply units or third-party battery packs to operate cordless power tools. Do not use third-party chargers to charge the battery packs.** The use of accessories not expressly authorised by the manufacturer can result in electric shocks and/or serious accidents.

2.3 Emission levels

The levels determined in accordance with EN 62841 are typically:

Sound pressure level	$L_{PA} = 86 \text{ dB(A)}$
Sound power level	$L_{WA} = 97 \text{ dB(A)}$
Uncertainty	$K = 5 \text{ dB}$



CAUTION

Noise generated when working

Risk of damage to hearing

- ▶ Use ear protection.

Vibration emission level a_h (vector sum for three directions) and uncertainty K measured in accordance with EN 62841:

	Flexible mineral wool	
	240 mm	350 mm
Main handle	$a_h = 2.5 \text{ m/s}^2$	$a_h = 2.5 \text{ m/s}^2$
Auxiliary handle	$a_h = 4 \text{ m/s}^2$	$a_h = 4.5 \text{ m/s}^2$
Uncertainty	$K = 2 \text{ m/s}^2$	$K = 2 \text{ m/s}^2$
	PUR	
	240 mm	350 mm
Main handle	$a_h = 4.5 \text{ m/s}^2$	$a_h = 8.5 \text{ m/s}^2$
Auxiliary handle	$a_h = 7.5 \text{ m/s}^2$	$a_h = 14 \text{ m/s}^2$
Uncertainty	$K = 2 \text{ m/s}^2$	$K = 5 \text{ m/s}^2$

The specified emission levels (vibration, noise)

- are used to compare machines.
- They are also used for making preliminary estimates regarding vibration and noise load during operation.

- They represent the primary applications of the power tool.



CAUTION

The emission values may deviate from the specified values. This is dependent on how the tool is used and the type of workpiece being machined.

- ▶ The actual load during the entire operating cycle must be evaluated.
- ▶ Depending on the actual load, suitable protective measures must be defined in order to protect the operator.

3 Intended use

The cordless insulating-material saw is designed to saw flexible insulating materials made of mineral wool (glass or stone wool) or natural fibres (e.g. wood or hemp fibres) as well as to saw insulating materials made of PUR/PIR (polyurethane hard foam), polystyrene or pressure-resistant mineral wool.

In accordance with the intended use, only insulating materials with the following raw densities may be machined:

Flexible natural fibres	$< 90 \text{ kg/m}^3$
Flexible mineral wool	$< 100 \text{ kg/m}^3$
Pressure-resistant mineral wool	$100\text{--}170 \text{ kg/m}^3$
PUR/PIR	$< 36 \text{ kg/m}^3$
Polystyrene	$< 45 \text{ kg/m}^3$

The cordless insulating-material saw is not suitable for sawing chipboard, metal, wood or pressure-resistant insulating materials made of natural fibres.

This power tool may only be used by experts or instructed persons.

Only saw insulating materials with the cutting set intended for this purpose, see section 6.2.



The user is liable for damage and accidents caused by improper and non-intended use.

- intended for use with BP Festool battery packs of the same voltage class.

4 Technical data

ISC 240 Li cordless insulating-material saw	
Motor voltage	14.4–18 V
Stroke rate	3000 rpm
Stroke length	26 mm
Max. cutting depth	
Cutting set, short	240 mm
Cutting set, long	350 mm
Weight without battery pack	1.8 kg
Weight as per EPTA procedure 01:2014:	2.5 kg

5 Parts of the machine

- [1-1] Auxiliary handle
- [1-2] Main handle
- [1-3] Lint filter
- [1-4] Buttons for releasing the battery pack
- [1-5] On/off switch
- [1-6] Rotary knob for changing the cutting set
- [1-7] Cutting set
- [1-8] Protective cover
- [1-9] Extractor connector

Accessories shown or described are not always included in the scope of delivery.

The illustrations specified are located at the beginning and end of the operating instructions.

6 Commissioning

6.1 Switching on/off

The power tool features an on/off switch on both sides. Use either switch to switch the power tool on or off.


Switching on

- ▶ Press the on/off switch [1-5] twice in quick succession.

Switching off

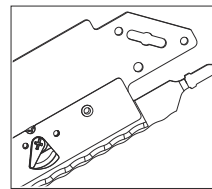
- ▶ Press the on/off switch [1-5] once.

6.2 Selecting a cutting set



 Only use cutting sets that have been approved by the manufacturer.

Two cutting sets, each available in two lengths, are available for machining.

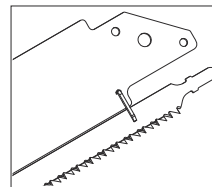
Cutting set with serrated saw blade (available as an accessory depending on the model)



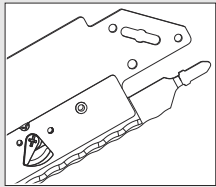
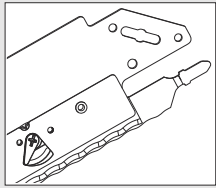
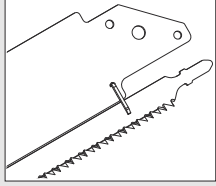
The cutting set with serrated saw blade (SG-240/W-ISC, SG-350/W-ISC) consists of a guide rail with both a movable and a fixed saw blade.

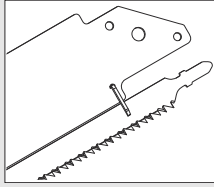
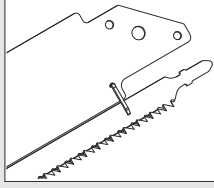
-  The cutting set with serrated saw blade must be adjusted before initial operation, see section 8.3.
-  To ensure an optimum tool life for the serrated saw blade, use a separate cutting set for mineral wool and a separate cutting set for natural fibres. The saw blade is no longer suitable for sawing natural fibres once it has been used to saw mineral wool.

Cutting set with cross-set saw blade (accessory)



The cutting set with cross-set saw blade (SG-240/G-ISC, SG-350/G-ISC) consists of a guide rail and a movable saw blade.

Insulating material	Saw blade
Flexible natural fibres < 90 kg/m ³	
Flexible mineral wool < 100 kg/m ³	
Pressure-resistant mineral wool 100–170 kg/m ³	



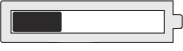
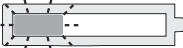
Insulating material	Saw blade
PUR/PIR < 36 kg/m ³	
Polystyrene < 45 kg/m ³	

7 Battery pack

- ▶ Inserting the battery pack **[2a]**
- ▶ Removing the battery pack **[2b]**

7.1 Capacity display

The capacity display **[2-1]** indicates the charge of the battery pack for approx. 2 seconds after the button **[2-2]** is pressed:

	70-100%
	40-70%
	15-40%
	< 15% *

* **Recommendation:** Charge the battery pack before any further use.

- i** Further information about the charger and battery pack with capacity indicator can be found in the corresponding operating manual.

8 Settings



WARNING

Risk of injury

- ▶ Remove the battery pack from the power tool before performing any work on the power tool.



CAUTION

Risk of injury from hot and sharp insertion tool

- ▶ Do not use any blunt or faulty insertion tools.
- ▶ Wear protective gloves when handling an insertion tool.



WARNING

Sharp saw blades

Risk of injury

- ▶ Attach the protective cover to the cutting set when performing any work on the power tool.

8.1 Fitting a cutting set [3]



WARNING

Sharp, incorrectly inserted saw blades

Risk of injury

- ▶ Never insert individual saw blades into the power tool.
 - ▶ Only use saw blades in conjunction with a cutting set.
 - ▶ Always combine saw blades with the associated guide rail.
- ▶ If necessary, push the extractor connector **[3-1]** upwards.
 - ▶ **1** Release the rotary knob.
 - ▶ **2** Open the cover flap.
 - ▶ **3** Turn the lever on the clamping sleeve **[3-2]** anti-clockwise to unlock the clamping sleeve.
 - ▶ **4** Pull the movable saw blade on the single-cam shaft (T shaft) **[3-4]** along the guide rail **[3-3]** as far as it will go to remove it.
 - ▶ **5** Push the movable saw blade into the clamping sleeve as far as it will go.
 - ▶ **6** Turn the cutting set clockwise by approximately 30° until the guide rail is level. *The retaining pins **[3-5]** in the guide rail holder are seated fully in the recesses in the guide rail.*
- i** When tightening the rotary knob, always keep the cover flap pressed down. Otherwise, the thread could become damaged.
- ▶ **7** Close the cover flap.
 - ▶ **8** Keep the cover flap pressed down and tighten the rotary knob.

8.2 Removing the cutting set [4]

- ▶ If necessary, push the extractor connector **[3-1]** upwards.
- ▶ **1** Release the rotary knob.
- ▶ **2** Open the cover flap.
- ▶ **3** Turn the lever on the clamping sleeve **[4-1]** anti-clockwise. *The clamping sleeve is unlocked.*

- ▶ ④ Turn the cutting set anti-clockwise by approximately 30°.
- ▶ ⑤ Remove the saw blade from the clamping sleeve.

8.3 Adjusting the cutting set with serrated saw blade [5]



If the fixed saw blade can no longer be positioned underneath the movable saw blade, the adjusting levers [5-1] are worn. The cutting set must be replaced.

Adjust the cutting sets with serrated saw blade before initial operation. The movable saw blade must be positioned above the fixed saw blade.

- ▶ ① Move the protective cover until the lower adjusting lever [5-1] is free.
- ▶ ② Turn the adjusting lever until both saw blades are level and parallel with one another.
- ▶ ③ Turn the adjusting lever clockwise by one latching point.

The movable saw blade is positioned above the fixed saw blade.

- ▶ ④ Push the protective cover back.
- ▶ Carry out the same steps for the upper adjusting lever.

8.4 Changing the serrated saw blade [6]

- ▶ Disconnect the cutting set from the power tool.
- ▶ ① Remove the protective cover.
- ▶ ② Pull the movable saw blade [6-1] on the single-cam shaft (T shaft) [6-2] away from the guide rail at angle in order to remove it from the guide rail.
- ▶ ③ Raise the fixed saw blade [6-3].
- ▶ ④ Pull the fixed saw blade out of the guide rail.
- ▶ ⑤ Push a new fixed saw blade into the guide rail.
- ▶ ⑥ Push the fixed saw blade downwards until the recesses in the saw blade engage with the protrusions of the adjusting levers.
- ▶ ⑦ Hold a new movable saw blade against the single-cam shaft (T shaft) and push the end forwards into the guide rail at an angle.

The saw blade is hooked into the end of the guide rail.

- ▶ Fit the protective cover.

8.5 Changing a cross-set saw blade (accessory) [7]

- ▶ Disconnect the cutting set from the power tool.

- ▶ ① Remove the protective cover.
- ▶ ② Pull the movable saw blade [7-1] on the single-cam shaft (T shaft) [7-2] away from the guide rail at an angle in order to remove it from the guide rail.
- ▶ ③ Hold a new movable saw blade against the single-cam shaft (T shaft) and push the end forwards into the guide rail at an angle.

The saw blade is hooked into the end of the guide rail.

- ▶ Fit the protective cover.

8.6 Fitting the base adapter [8]

- ▶ If necessary, push the extractor connector [3-1] upwards.
- ▶ ① Release the rotary knob by one turn.
- ▶ ② Slide the protective cover downwards by approx. 4 cm.
- ▶ ③ Insert the base adapter [8-1] at the end of the cutting set.
- ▶ ④ Push the base adapter towards the power tool until it latches into it at the three latching points [8-2].
- ▶ ⑤ Close the rotary knob.



Make sure that the base adapter [8-1] latches into the power tool at the three latching points [8-2].

8.7 Removing the base adapter [9]

- ▶ Push the extractor connector [3-1] upwards if required.
- ▶ ① Release the rotary knob by one turn.
- ▶ ② Release the base adapter at the three latching points [9-1].
- ▶ ③ Push the base adapter downwards and away from the tool at an angle.
- ▶ Close the rotary knob.

8.8 Changing the guide rail slide [10]



Always use the guide rail slide [10-1] in conjunction with a guide rail and only together with the cutting set with serrated saw blade.

- ▶ ① Release the lever.
- ▶ ② Insert the cutting set.
- ▶ ③ Close the lever.
- ▶ ④ Remove the protective cover.
- ▶ ⑤ Place the guide rail slide on the grooves [10-2] provided in the guide rail.

Removal is performed in reverse order.

8.9 Extracting dust



WARNING

Health hazard posed by dust

- ▶ Always work with an extractor.
- ▶ Comply with national regulations.

The extractor connector enables the power tool to be connected to a dust extractor (hose diameter: 27 mm).

- ▶ Gently apply pressure to push the extractor connector downwards.

The chip ejection opening on the lower part of the extractor connector must be cleaned regularly with a brush.

- ▶ Gently apply pressure to push the extractor connector downwards.
- ▶ Clean the chip ejection opening with a brush.

9 Working with the machine



CAUTION

Materials which produce a lot of dust

Damage to the machine due to the ingress of dust, risk of injury

- ▶ Do not work overhead.
- ▶ Always work with a lint filter.

When working, hold the power tool by the handle and guide it along the desired cutting line. For precise cuts and smooth running, use two hands to guide the power tool.

9.1 Freely guided sawing

The triangular pointer on the extractor connector indicates the cutting line of the saw blade. Freely guided sawing is also possible with the base adapter.

9.2 Sawing with the FS/2 guide rail (accessory)

Using the Festool FS/2 guide system makes it easier to produce straight and precise cuts.

Flexible insulating material [11]

- ▶ Place the flexible insulating material on the guide rail.
- ▶ Position the power tool, with the guide rail slide fitted, on the guide rail.
- ▶ Align the insulating material with the WA-ISC 240 angle stop if required, see section 11.1.

Pressure-resistant insulating material [12]

- ▶ Place the guide rail on the pressure-resistant insulating material.

- ▶ Position the power tool, with the base adapter fitted, on the guide rail.

9.3 Acoustic warning signal

Acoustic warning signals sound and the machine switches off in the following operating states:



peep — —

Battery flat or machine overloaded.

- Change the battery.
- Reduce the machine load.



peep peep —

Machine or battery has overheated.

- When it has cooled down, start the machine again.
- Check that the cooled-down battery is functioning properly with the charger.

10 Service and maintenance



WARNING

Risk of injury, electric shock

- ▶ Always remove the battery pack from the power tool before performing any maintenance or service work.
- ▶ All maintenance and repair work which requires the motor housing to be opened should always be carried out by an authorised service workshop.



Customer service and repairs must only be carried out by the manufacturer or service workshops. Find the nearest address at:
www.festool.co.uk/service




Always use original Festool spare parts. Order no. at:
www.festool.co.uk/service

Damaged safety devices and components must be repaired or replaced in a recognised specialist workshop, unless otherwise indicated in the operating manual.

Follow the instructions below:

- Keep the vents on the power tool, charger and battery pack free and clean to ensure cooling.
- Keep the terminal contacts on the power tool, charger and battery pack clean.
- Regularly remove dust deposits from the extractor connector.

 Follow the instructions enclosed with the battery pack for service, maintenance, disposal and transport of the battery pack.

10.1 Cleaning the lint filter [13]

To prevent the power tool from overheating, the lint filter must be cleaned regularly on both sides.

- ▶ ❶ Remove the lint filter.
- ▶ ❷ Extract dust from the lint filter.
- ▶ ❸ Insert the lint filter.


11 Accessories

The order numbers of the accessories and tools can be found in the Festool catalogue or on the Internet at "www.festool.com".

11.1 WA-ISC 240 angle stop

The WA-ISC 240 angle stop [14-1] is used to saw flexible insulating materials with the FS/2 guide rail.

Fitting the angle stop on the guide rail [14]

 The angle stop can only be fitted to the side of the guide rail where the guide spring [14-2] can engage in the guide groove [14-3].

- ▶ ❶ Release the rotary knobs.
- ▶ ❷ Place the angle stop on the guide rail and push it forwards until it is fully fitted on the guide rail.
- ▶ ❸ Tighten the rotary knobs.
The angle stop is firmly seated in the guide.

- ▶ ❹ Adjust the stop ruler [14-4].

Setting the angle [15]

- ▶ ❶ Release the rotary knob.
- ▶ ❷ Set the desired angle by using the pointer.
- ▶ ❸ Tighten the rotary knob.

Move the angle stop into the transport position. [16]

- ▶ ❶ Release the rotary knobs.
- ▶ ❷ Pull the angle stop out of the guide rail by 5 cm.
- ▶ ❸ Turn the angle stop clockwise by 90°.
- ▶ ❹ Push the angle stop on the guide rail into the transport position.
- ▶ ❺ Tighten the rotary knobs.

To move the angle stop back into the working position, carry out the steps in reverse order.

12 Environment



Do not dispose of the device in the household waste! Recycle devices, accessories and packaging. Observe applicable national regulations.

EU only: In accordance with the European Directive on waste electrical and electronic equipment and implementation in national law, used power tools must be collected separately and handed in for environmentally friendly recycling.

Information on REACH: www.festool.com/reach

13 General information

Imported into the UK by

Festool UK Ltd
1 Anglo Saxon Way
Bury St Edmunds
IP30 9XH
Great Britain

13.1 Bluetooth®

The Bluetooth® word mark and the logos are registered trademarks of Bluetooth SIG, Inc.; they are used by TTS Tooltechnic Systems AG & Co. KG, and therefore by Festool, under licence.