



EN

DE

FR

ES

JSS-230B50UK / JSS-230B50EU

# JOBSITE SAW PRO OWNER'S MANUAL



JSS®

85-007597-00  
Rev A - 06242024

# TABLE OF CONTENTS

DECLARATION OF CONFORMITY .....	3
SYMBOLS .....	3
SPECIFICATIONS AND REQUIREMENTS .....	4
GET TO KNOW YOUR SAW .....	6
PREPARE YOUR SAW FOR USE .....	8
USING YOUR SAW .....	14
CARE FOR AND ADJUST YOUR SAW .....	24
TROUBLESHOOTING .....	33



[www.SawStop.eu/JSSsupport](http://www.SawStop.eu/JSSsupport)

EN - Additional translations of this manual are available from the above URL.

IT - Ulteriori traduzioni di questo manuale sono disponibili all'URL sopra indicato.

NL - Bijkomende vertalingen van deze handleiding zijn beschikbaar via de bovenstaande URL.

SV - Ytterligare översättningar av denna bruksanvisning är tillgängliga via ovanstående URL.

FI - Oppaan muita käännöksiä on saatavilla yllä olevasta URL-osoitteesta.

DA - Der kan findes yderligere oversættelser af denne vejledning på ovennævnte webadresse.

NB - Ytterligere oversettelser av denne håndboken er tilgjengelige på ovenstående internettadresse.

PT - Traduções adicionais deste manual estão disponíveis no URL acima.

CS - Další překlady tohoto návodu jsou k dispozici na výše uvedené adrese URL.

PL - Dodatkowe tłumaczenia tej instrukcji dostępne są pod powyższym adresem WWW.

Copyright SawStop, LLC

All Rights Reserved

Revised June, 2024

Original Instructions - Jobsite Saw Pro

Some images in this manual may depict a product configuration, markings or labels that differ from your saw.

Updates to this manual and additional related documentation such as exploded views and parts lists are available at [SawStop.eu](http://SawStop.eu) or [SawStop.uk](http://SawStop.uk)



# DECLARATION OF CONFORMITY

We declare under our sole responsibility that this product: **Jobsite Saw Pro (JSS-230B50EU, JSS-230B50UK)**

A transportable table saw, complies with all the relevant requirements in the following EU Directives:

- 2006/42/EC – Machinery Directive
- 2014/30/EU – Electromagnetic Compatibility
- 2015/863/EU – RoHS 3

Standards or normative documents:

Health and Safety	EN 62841-1:2015+AC:2015+A11:2022 EN 62841-3-1:2014/A12:2021
EMC	EN 55014-1:2017/A11:2020 EN 55014-2:1997/A2:2008
Environmental	EN 63000:2018



Michael Davies  
Managing Director SawStop Europe  
73240 Wendlingen a.N., DEa.N., DE












Eric Burmester  
Vice President of Engineering  
11555 SW Myslony St. Tualatin, OR, USA

Tualatin, Oregon USA

Date of Declaration: Aug 30, 2024

## SYMBOLS

The following symbols, acronyms and abbreviations may also be found on the exterior of your tool or in this manual.

SYMBOL	DEFINITION	SYMBOL	DEFINITION
	High voltage		Warning of general caution or danger
	Protective earth ground	"	Inch
V	Volts	lb	Pound
W	Watts	Kg	Kilogram
~	Hertz (cycles per second)	°	Angular degree
N <sub>o</sub> /min	Revolutions Per Minute	mm	Millimeter
m <sup>3</sup> /hr	Cubic Meters per hour	cm	Centimeter
	Read warnings and instructions		Keep all guards and covers in place
	Use hearing protection		Use eye protection
	Use a dust mask		Do not dispose with household waste

# SPECIFICATIONS AND REQUIREMENTS

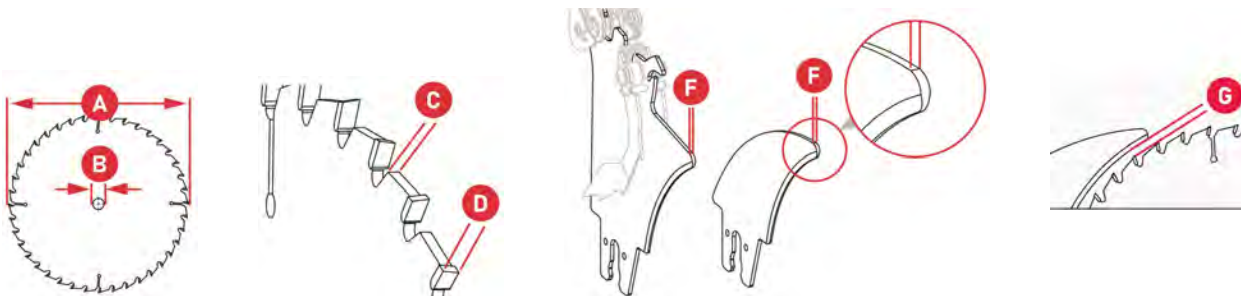
## DIMENSIONS



SPECIFICATIONS	
Motor Configuration	230 VAC 50 Hz, Univ.
Weight (Saw Only)	84 lbs (38 kg)
Weight (With Cart)	113 lbs (51 kg)
Max. Depth of Cut, Blade at 0°	3 1/8" (79.5 mm)
Max. Depth of Cut, Blade at 45°	2 1/8" (54 mm)
Max. Rip Right of Blade (Extended)	25 1/2" (640 mm)
Saw Dimensions (with Open Cart) (H x W x D)	36" x 48" x 29" (915 X 1220 X 73 mm)
Saw Dimensions (with Closed Cart) (H x W x D)	26 1/2" x 45" x 29" (673 X 1143 X 737 mm)
Table Dimensions (Extended)	43 5/16" x 24 5/8" (1151 X 625 mm)

BLADE REQUIREMENTS	
Blade diameter (A)	10", 250mm, 254mm
WARNING: Do not use blades smaller than 250mm in diameter.	
Bore (Arbor) Diameter (B)	30mm
Blade plate thickness (C)	0.071"-0.087" (1.8mm-2.2mm)
Blade kerf (D)	0.093"-0.138" (2.3mm-3.5mm)
Speed	N <sub>0</sub> : 4000/min
Riving knife or spreader thickness (F)	0.090" (2.3 mm)
Blade and riving knife or spreader gap (G)	0.16"-0.32" (4-8mm)

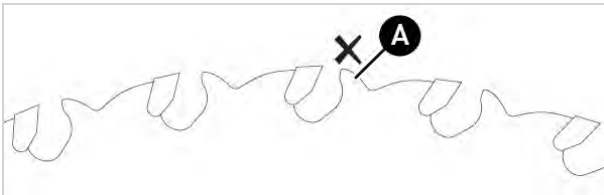
See callout references on images



### More about blades:

- Use only saw blades recommended by the manufacturer (see specification on the previous page) that meet EN 847-1.
- Use only blades that conform to the diameter, body thickness and kerf thickness specifications marked on the riving knife included with your saw.
- Use only saw blades that are marked with a speed equal or higher than the speed marked on the tool.
- Use a blade type appropriate for the material being cut.

This illustration shows a blade as equipped with shoulders (A). Do not use blades with shoulders. The shoulders could prevent the brake pawl from effectively engaging the blade in the event of an activation of the safety system.



### WARNING:

Do not use undersized blades. Blades smaller than 250mm could increase the chance of a more severe injury in the event of a safety system activation.

### NOTE:

Both the riving knife and the spreader are 0.090" (2.3mm) thick. Do NOT use a blade with a kerf less than 0.093" - 0.138" (2.3mm - 3.5mm) with this tool. When the blade and riving knife or spreader are installed in the saw, there should be a gap of 4-8mm between the blade and the riving knife or spreader.

### IMPORTANT:

Avoid overheating the tips of the saw blade teeth by keeping the blade clean and sharp. Ensure the dust collection system is clean and free of debris. When cutting plastic, make sure material feed rate does not cause the plastic to heat up or melt.

### WARNING:

To avoid risk of injury, wear gloves when handling saw blades. Never wear gloves when operating the saw.

The saw can be used to cut wood, plastic, pliable metal (e.g., aluminum), or other similar materials. Do not use the saw to cut ferrous metals. Conductive materials must be cut using Bypass Mode (see **START THE SAW - BYPASS MODE** on page 22).

## NOISE EMISSIONS LEVELS

The levels determined in accordance with EN 62841 are typically:

Sound pressure level	Lpa = 95.4 dB
Sound power level	Lwa = 108.4 dB, LpCpeak = 96.6 dB
Uncertainty	3 dB

The specified noise emission values

- have been measured in accordance with a standardised test procedure, can be used to compare one power tool with another,
- and can also be used for a provisional assessment of the load.

### WARNING:

**Noise generated when working. Risk of damage to hearing.** Use hearing protection.

Noise emissions during actual use of the power tool can differ from the declared values depending on the ways in which the tool is used especially what kind of workpiece is processed.

It is important for the operator to identify safety measures to protect the operator that are based on an estimation of exposure in the actual conditions of use (taking account of all parts of the operating cycle such as the times when the tool is switched off and when it is running idle in addition to the trigger time).

## ELECTRICAL CONNECTION

See the included **Safety and General Use Instructions for Portable Table Saws** manual for additional general specifications and safety warnings.

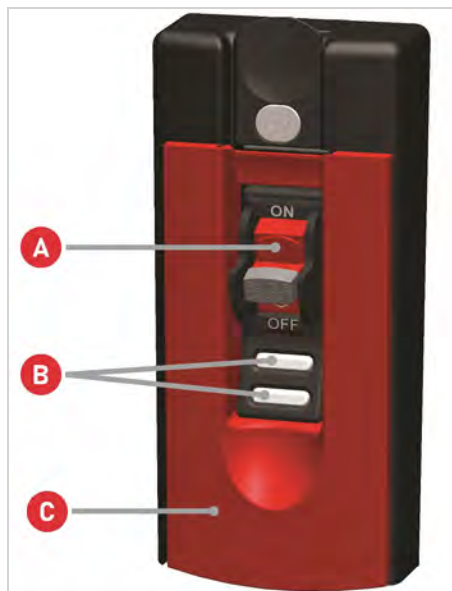
# GET TO KNOW YOUR SAW

## OVERVIEW



- A. Power Controls
- B. Table Insert
- C. Riving Knife
- D. Storage
- E. Fence
- F. Elevation and Tilt Control
- G. Folding Cart

## POWER CONTROLS



Use the power controls to run the saw and monitor the saw's status (see **POWER CONTROLS** on page 21).

- A. Power Switch
- B. Status Lights
- C. Start/Stop Paddle for Blade

Status lights can flash slow or fast (see **STATUS LIGHTS & CODES** on page 14).

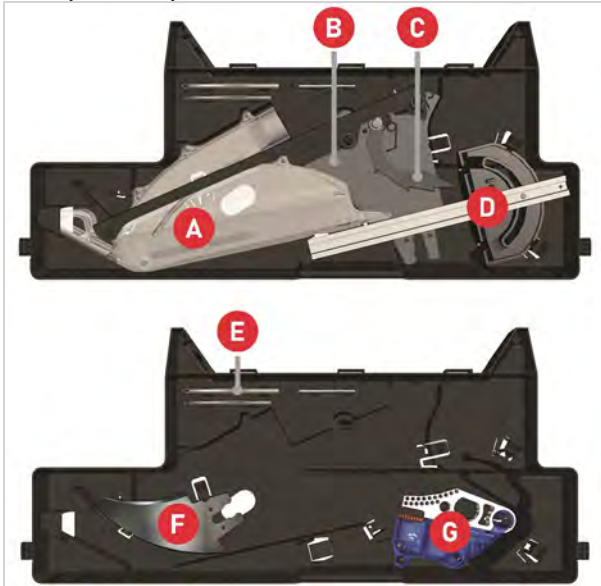
## LOCATION OF ACCESSORIES

### Accessory Drawer

1. Flip handle to release rail.
2. Extend table to reveal storage drawer.
3. Pull drawer out to allow lid to open. Press clips to release accessories.

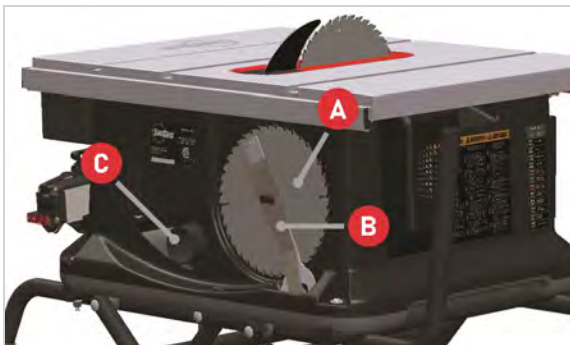
### Location of Storage Drawer Accessories

The drawer stores items in two layers, with the riving knife and optional spare brake underneath.



- A. Blade Guard
- B. Spreader
- C. Anti-Kickback Pawls\*
- D. Miter Gauge
- E. Hex Wrenches (3mm, 4mm and 5mm)
- F. Riving Knife
- G. Storage for Optional Spare Brake

\*Optional accessory available for purchase at [SawStop.eu](http://SawStop.eu) or [SawStop.uk](http://SawStop.uk)



- A. Spare Blades (not included)
- B. Blade Wrenches
- C. Dust Port (see page 13) and Dust Collection Adapter

### Fence, Power Cord, and Push Stick Storage

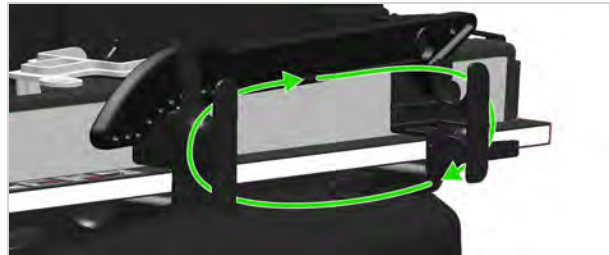
#### FENCE

Slide fence fully into storage holsters and flip latch down to lock in place. Pull up on fence lever to release latch and remove fence.



#### POWER CORD

Wrap power cord around brackets on right sides of holsters, as shown by red arrows.



## PUSH STICK

Insert push stick into opening above brackets, then push until it stops. Swing handle end of push stick into clamp on front holster and push down to lock push stick in place.



2. Lower handles until cart locks in open position.



3. Make sure cart does not wobble. If needed, loosen wing nuts and adjust leveling feet, then re-tighten wing nuts.



## PREPARE YOUR SAW FOR USE

### SOLID, LEVEL & CLEARANCE

Place the saw on a solid and level working surface. Make sure there is enough space around the saw so that you can cut the workpiece without interference.



Also, make sure the workpiece is not too large to safely control as you make the cut. Make sure that you are able to prevent the workpiece from overbalancing as you pass the workpiece across the table and complete the cut.

## MOBILE CART

### **!** WARNING:

When setting up or collapsing saw for transport, always keep both hands on handles and be mindful of pinch points.

### Setup and Transport

1. To open mobile cart, grasp both handles (A) and raise cart and saw to upright position. Press lock release lever with right foot (B) and pull handles toward you.

### **!** WARNING:

Always use the saw and the mobile cart on a level surface. Unplug and store the power cord before moving the saw.

- To collapse cart for transport, depress lock release lever with foot (see lower arrow) and lift both handles.



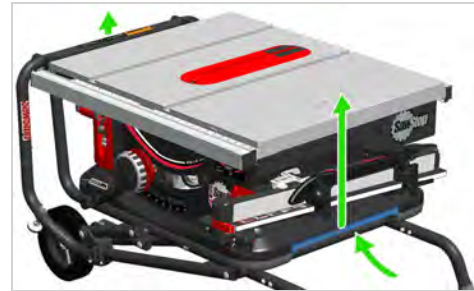
- Raise handles until the cart and saw are completely upright. Ensure lock bar fully engages lock pin.



- To move saw, grasp both handles and tilt cart backward to roll on wheels.



To lift saw, grasp hand grips on saw. The hand grips are molded into the bottom left and bottom right sides of the saw cabinet.



#### WARNING:

The saw and the cart weigh approximately 113 pounds (51 kilograms). Be careful and use proper lifting technique to avoid injury. Two people are required to lift the saw.

#### Remove/Install Mobile Cart

- Raise the cart. Locate bolts on each of the four corners of the saw.



- Use 5 mm hex wrench and 13 mm wrench to remove hardware from all four saw corners.



- Use the hand grips to lift saw straight up and off cart. To re-attach saw, reverse steps.



**WARNING:**

The saw weighs approximately 84 pounds (38 kilograms). Be careful and use proper lifting technique to avoid injury. Two people are recommended.

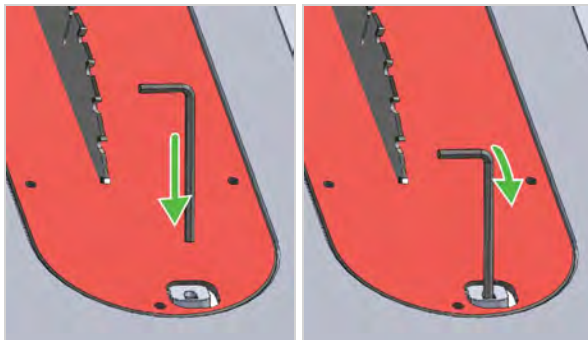
## REMOVE/INSTALL TABLE INSERT

### Remove Table Insert

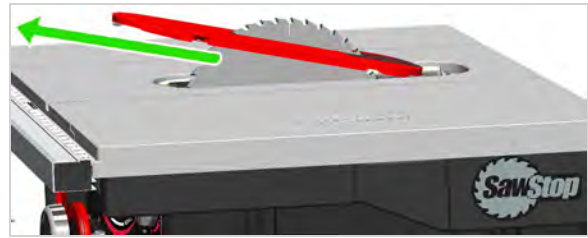
- Switch power off and unplug the power cord.



- Insert the included 4mm hex wrench into the release latch. Pull the top of the hex wrench toward the front of the saw to release the table insert.

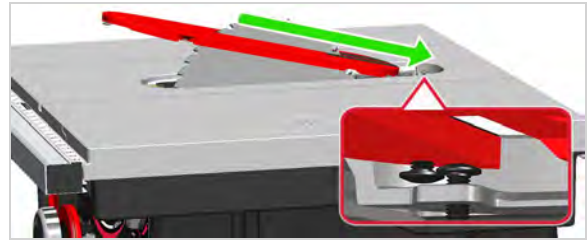


- Slide insert up and out.



### Install Table Insert

- Slide in so rear screws overlap. Press front of insert down to lock in place.



**WARNING:**

Never operate the saw without the table insert in place.

## BLADE GUARD AND SPREADER

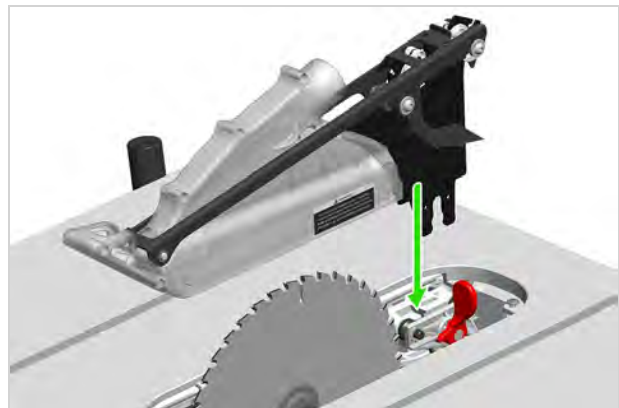
### How to Use Blade Guard



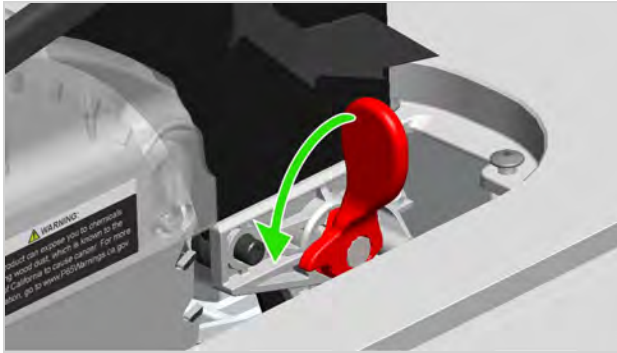
**WARNING:**

Use the blade guard and spreader for every operation for which they can be used, including all through-sawing.

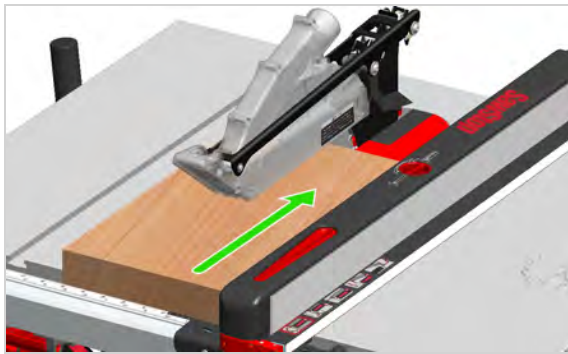
- Switch power off, unplug the power cord and remove table insert. Install blade guard into clamp.



2. Rotate the red clamp handle down to secure blade guard in place. Install table insert. Reverse steps to remove blade guard.



3. To cut, raise top of blade above material. Place material flat on table and push slowly and smoothly into blade. Guard will adjust to material height.



**NOTE:**

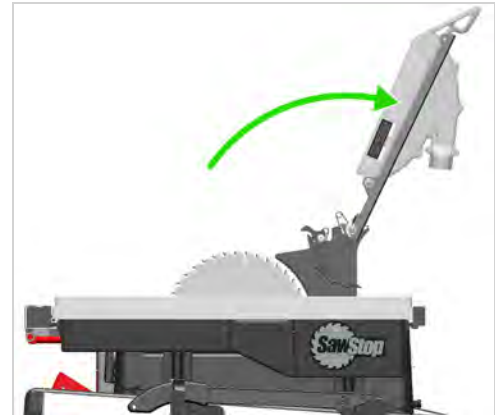
To install or remove table insert, blade guard must be lifted.

**Remove/Install Blade Guard**

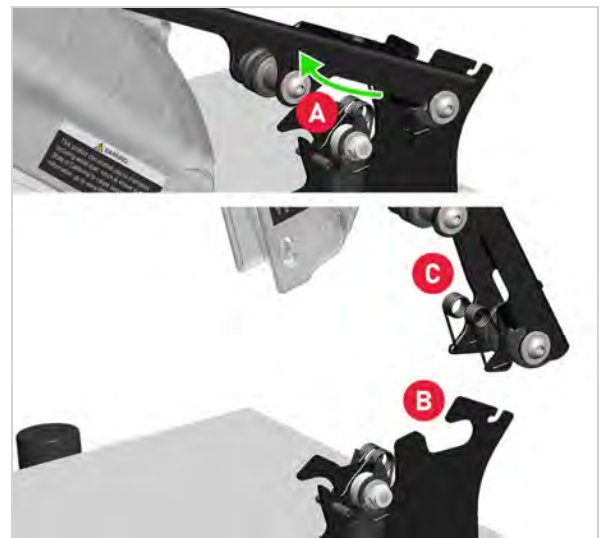
1. To provide easy access when changing blades, raise blade guard away from table. Pull guard forward...



then rotate it up and back (1B). Reverse steps to place the guard back in locked position for use.



2. To completely remove the blade guard, rotate up and pull forward (A) until the guide and height adjustment wheels are clear of the spreader (B). Continue to lift and rotate until the top guard spring (C) releases from the spreader.



Store guard in storage drawer when not in use (see page 7). Reverse steps to reinstall guard.

## Anti-Kickback Pawls

### **WARNING:**

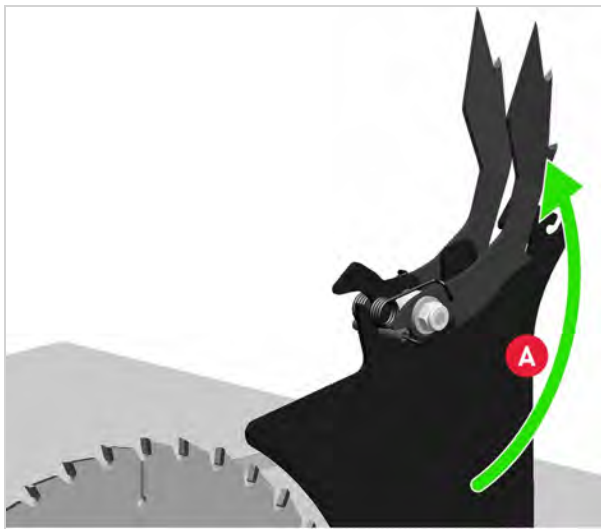
Always switch the power off and unplug the saw before removing or installing the blade guard, spreader, or riving knife.

### **NOTE:**

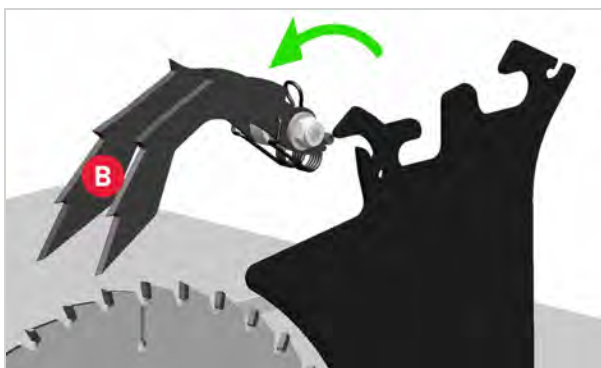
Anti-Kickback Pawls are an optional accessory available for purchase through the online parts store at [SawStop.eu](http://SawStop.eu) / [SawStop.uk](http://SawStop.uk).

Leave pawls down to reduce likelihood of kickback.

1. If you need to remove pawls, first remove guard, and then pull pawls back, up (A) ...



and forward to remove (B).



Store pawls in storage drawer when not in use (see page 7). To install pawls, reverse the process.

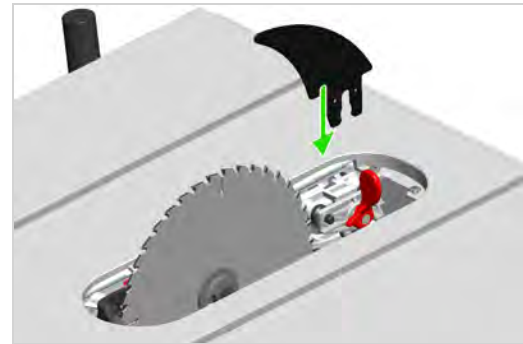
### **NOTE:**

When the blade guard is not in use, storage locations are provided in the accessory drawer for the blade guard, anti-kickback pawls, spreader, miter gauge and riving knife.

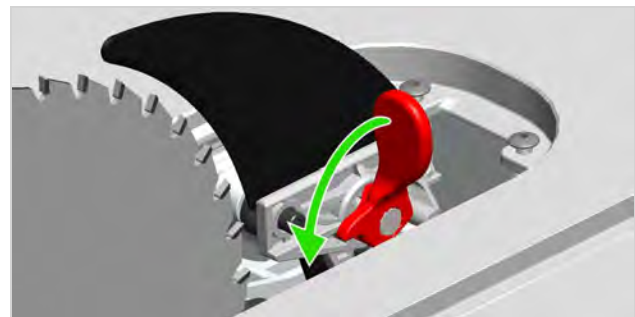
## RIVING KNIFE

A primary reason to use the riving knife is for non-through cuts where the blade guard and splitter cannot be used.

1. Switch power off, unplug the power cord and remove table insert. Install riving knife into clamp.



2. Rotate clamp handle down to secure riving knife in place. Install table insert.



Reverse steps to remove riving knife.

3. Place material flat on table and push slowly and smoothly into blade.



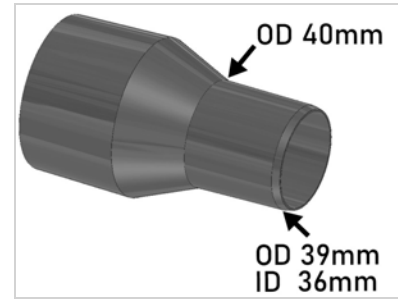
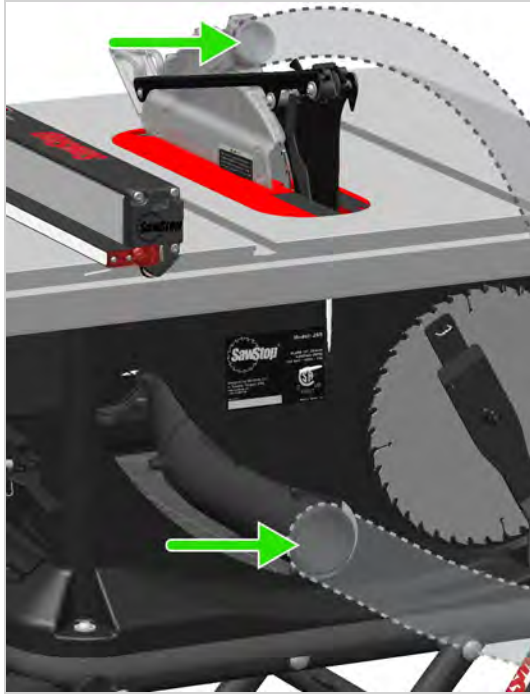


**WARNING:**

Use the riving knife for every operation where the blade guard cannot be used.

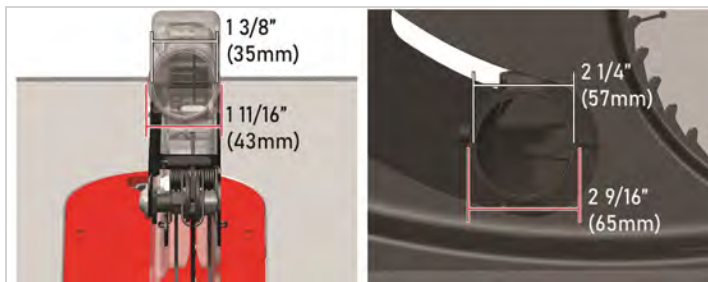
**ATTACH DUST COLLECTION**

Connect suitable dust collector, which provides at least 300 m<sup>3</sup>/hr of airflow, to rear dust ports on saw and blade guard, using flexible connectors.



*Dust port adapter - Hose fitting dimensions*

Always use a dust collection system when making cuts. Keep the system free of accumulated dust and debris.



Some commonly available 50mm inner diameter hoses can be inserted directly into the dust port. The included dust port adapter is provided for convenient connection to commonly available 36mm and 27mm dust hose sizes.



# USING YOUR SAW

## STATUS LIGHTS & CODES

The green and red lights under the power switch indicate the status of the saw. The lights function independently or in combination, depending on the status. Either light can flash slow or fast, or be on continuously. The red light can flash once indicating the saw is in Bypass Mode (see page 22).

Error codes not listed may also appear. If you are not able to identify the code or resolve an error situation, contact the SawStop Service department. Visit [SawStop.eu/contact](http://SawStop.eu/contact) for contact information.

See the descriptions of the status conditions in the table below.

GREEN	RED	STATUS	DESCRIPTION
Solid on	Slow blink	Starting up	The system is performing self-checks and energizing the brake system. This code should clear within 15 seconds after you turn on the power switch. If the ambient temperature is very low (below about 0° F), this code may take longer to clear.
Solid on	Off	Ready or running	All self-checks have been completed, the safety system is operating properly, and the saw is in Standby Mode and ready to run.
Fast blink	Off	Coasting down	The blade is coasting down and that the safety system is ready to activate the brake if contact is detected. The safety system monitors the rotation of the blade while it is coasting down. If you touch the blade while this code is flashing, the brake will activate.
Slow blink	Off	Bypass Mode ON*	The saw is running in Bypass Mode and will NOT activate the brake cartridge if you contact the spinning blade. Bypass Mode allows you to cut electrically conductive materials without activating the brake. When the saw is in Bypass Mode, the safety system is disabled.
Fast blink	Fast blink	Paddle OUT	The Start/Stop paddle is in the ON position (pulled out) before you turn on the power switch. Push the paddle in to the OFF position to clear this code. This is a safety feature to prevent the saw from restarting after a power loss or after the safety system has turned the saw off due to an error detected during use.
Solid on	Fast blink	Blade contact while stopped	There was contact with the blade (or a portion of the arbor) when the blade was not spinning in Standby Mode. Contact in this mode does not activate the brake. The code will automatically clear within 5 seconds after contact has ended. The system will not allow the motor to start while this code is displayed.

GREEN	RED	STATUS	DESCRIPTION
Slow blink	Fast blink	Blade contact during bypass	Contact was detected while the saw was running in Bypass Mode. The code indicates that the brake would have activated if the system had not been in Bypass Mode. The brake will not activate but the safety system will continue to monitor for contact. This error will automatically clear once the blade has finished coasting down.
Off	Slow blink	Brake cartridge key error	The cartridge locking key is not installed correctly. To clear this error, first turn the power switch to OFF, and then make sure the cartridge key is fully locked (see page 1).
Off	Fast blink	Overload due to moisture	The material is too wet or green. Cycle the Start/Stop paddle and the power switch to clear. Allow material to dry or cut in Bypass Mode.
Slow blink	Solid on	Small or missing blade	There is no blade currently installed or the blade is too small and thus incompatible with your JSS Pro Saw. Switch power off, unplug the power cord and install a 10" (254mm) blade.
Fast blink	Solid on	No blade rotation	The blade is stalled. Cycle power and cut material more slowly. Contact SawStop Technical Support if issue persists. (See <a href="http://SawStop.eu/support">SawStop.eu/support</a> ).
Off	Solid on	Replace brake cartridge	The brake cartridge has already activated or there is some other permanent defect that cannot be corrected. If the cartridge has not activated, cycle the power off and on. If the error continues, install a new cartridge. For instructions on changing the brake cartridge, see page 31.



**WARNING:**

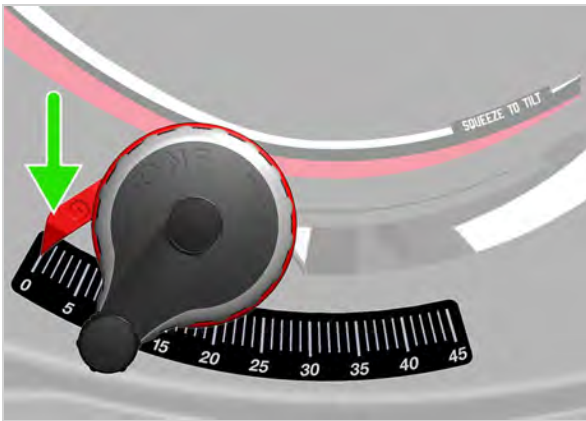
\* THERE IS NO PROTECTION IN BYPASS MODE; the brake will not activate if you touch the spinning blade. Use Bypass Mode only to test a material for conductivity and to cut conductive materials. Use extra caution in Bypass Mode.

## SET BLADE ELEVATION AND TILT

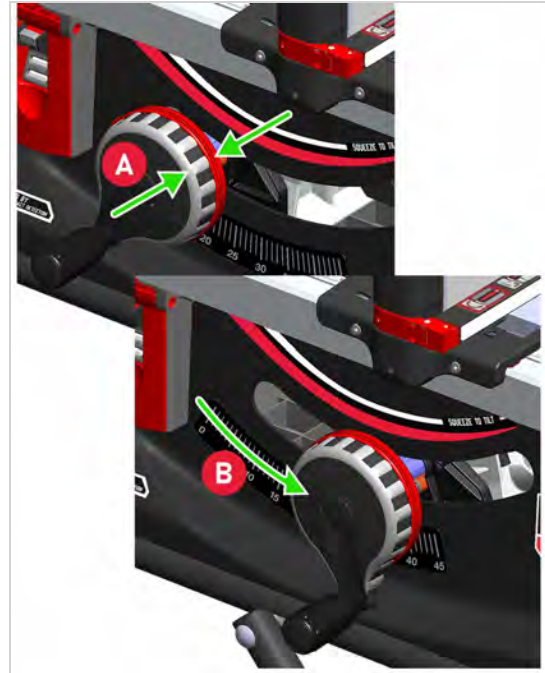
1. Rotate elevation hand wheel (A) clockwise to raise blade, or counter-clockwise to lower blade. A single rotation adjusts blade elevation from fully lowered to fully raised, and vice versa.



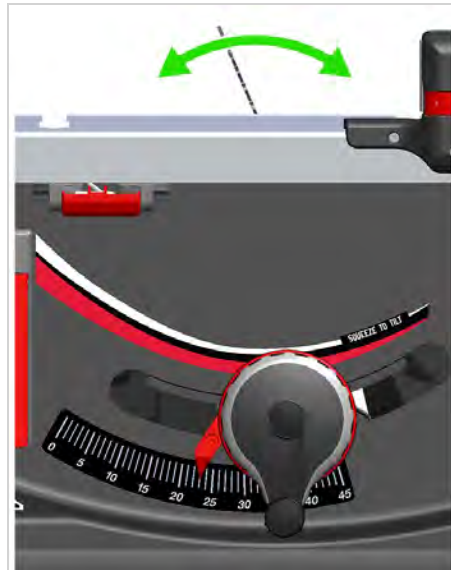
2. Blade tilt angle is indicated by position of red pointer over tilt scale.



3. Change tilt angle by squeezing backplate against hand wheel (A) and sliding hand wheel to side (B). Release backplate to lock blade in place.



This adjusts tilt angle in single degree increments.



- Adjust tilt angle in fractional degree increments by rotating tilt adjustment knob.



**WARNING:**

Never use the fence on the left side of the blade when making a bevel cut (the blade is tilted). The cut piece can bind between the fence and blade and could result in injury or damage the saw. Further, the blade could contact the fence resulting in damage and brake activation.

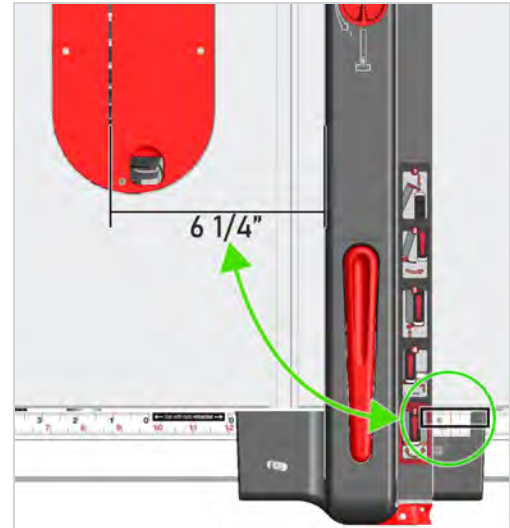


## RIP FENCE AND EXTENSION TABLE

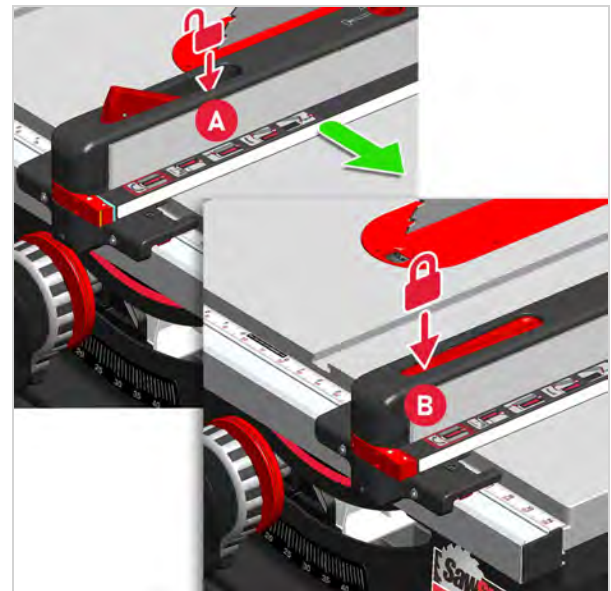
Use fence to guide material during rip cuts.



- Use the red indicator line on the clear fence cursor to determine the cutting width.



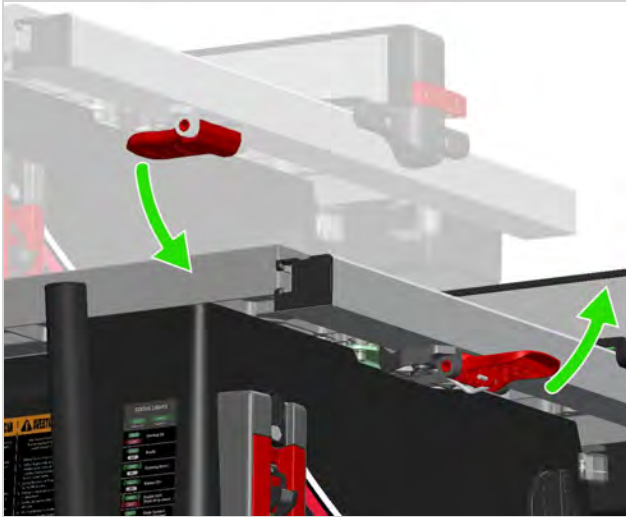
- To move the fence, push lever down to unlock the fence (A), and then slide fence until the indicator line reads desired cut width. Push down on the opposite end of the lever (B) to lock the fence in place.



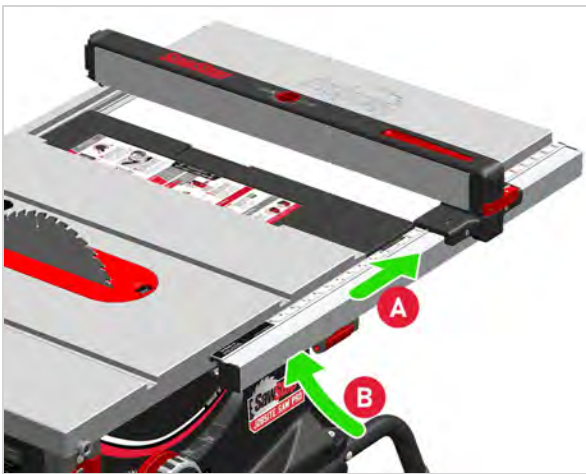
**WARNING:**

Always use the fence when making rip cuts. Never perform a ripping operation freehand- this may result in serious injury.

3. Extend table for rip cuts wider than 12" (30 cm). Flip handle out to unlock the table.



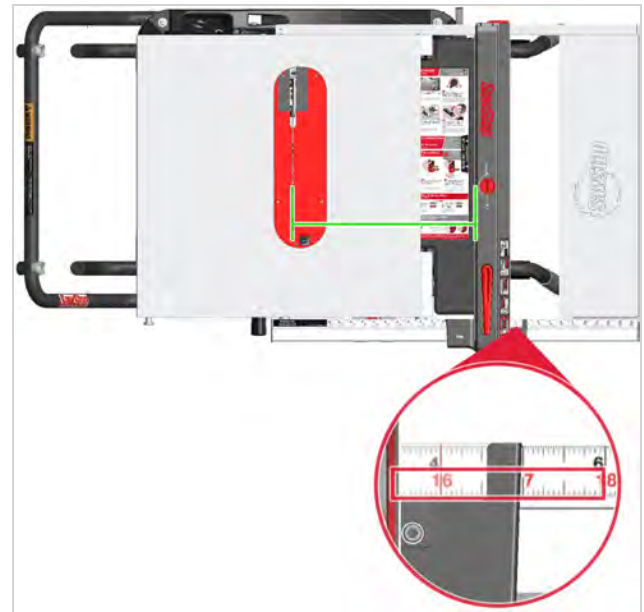
4. Slide the table to the right (A) to extend. Flip handle (B) towards the saw to lock table in place. The rails for the table must be fully extended to lock the handle.



**! WARNING:**

Do not use the saw unless the table is locked in one of the two positions: either fully closed (retracted) or fully open (fully extended).

5. Use upper scale (black numbers) with the table retracted. Use lower scale (red numbers) with the table extended.



**i NOTE:**

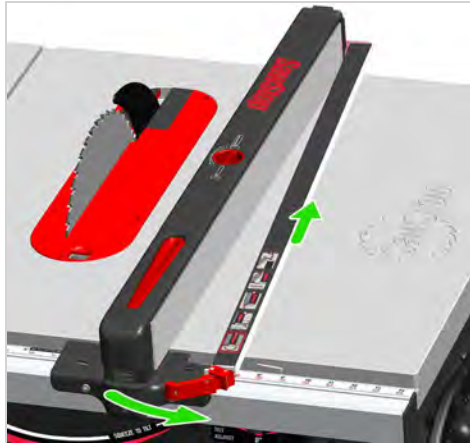
Scale values are only correct when table is fully retracted or fully extended.

**Low Fence**

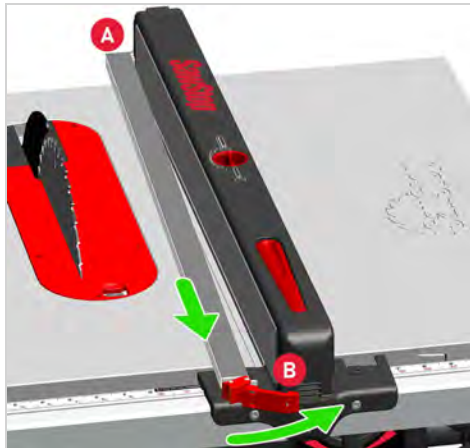
1. The fence is equipped with a low fence. Use the low fence when cutting thin or narrow strips of material.

The low fence is one 1" (25.4mm) wide; subtract 1" (25.4mm) from the values on the ruler when using the low fence.

2. Store low fence on right side of rip fence. Low fence can be used on either side of rip fence. To use low fence on left side of rip fence, pull lever forward and slide low fence slightly back to unhook rear.



3. Flip low fence over and hook rear end on left side of rip fence (A). Push lever back to lock low fence in place (B).



**WARNING:**

Do not allow low fence to contact blade. Contact with the blade could result in activation of the safety system.

## Support Shelf

A support shelf is included in the rip fence. Use the shelf to support material when the table is extended.



Turn the support shelf knob clockwise to extend shelf.



Retract shelf when fence is over table or extension table.

**NOTE:**

The support shelf cannot be extended when low fence is attached to left side of rip fence.

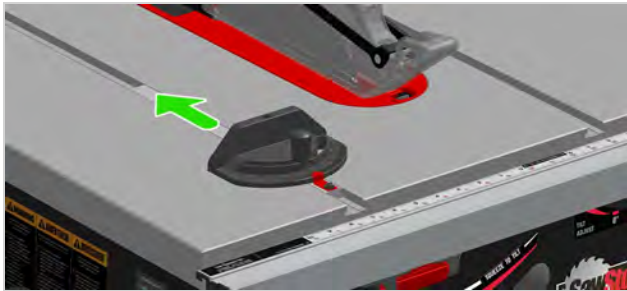
**WARNING:**

Always retract the support shelf when the fence is over the table. If the support shelf touches the blade, the brake will activate.

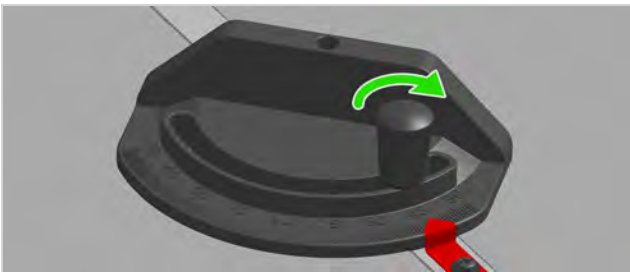
## Miter Gauge



1. Slide the miter gauge into either miter slot in table top.



2. To adjust miter gauge angle, turn handle counter-clockwise, and then pivot miter gauge head until red pointer is above desired angle (+/- 60°). Tighten the handle by turning it clockwise before making cut.



### WARNING:

Use the miter gauge for cross-cutting operations. To reduce the potential for kickback and serious injury, move the fence out of contact with the workpiece when cross-cutting to prevent the workpiece from binding between the fence and the blade.

Also see **How to Calibrate the Miter Gauge** on page 30.

## Miter Gauge Extension

You can mount an optional wooden extension to the miter gauge face to provide additional support for workpieces.



To mount the extension, use wood screws with shanks sized to fit through the slots in the miter gauge head (<7.25mm).



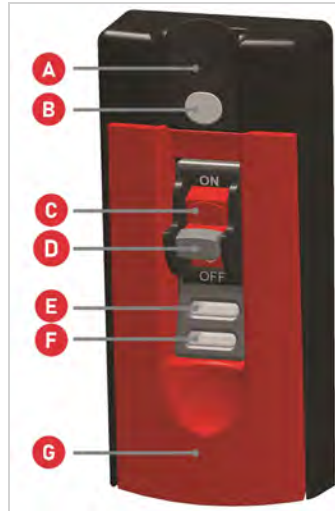
The wood face should be at least 1" (25mm) higher than the maximum depth of cut, and should extend beyond the edges of the miter gauge head.

### WARNING:

To reduce the potential for kickback and serious injury, move the fence out of contact with the workpiece when cross-cutting to prevent the workpiece from binding between the fence and the blade.



## POWER CONTROLS



- A. **Bypass Switch.** Use to run the saw in Bypass Mode (see page 22).
- B. **Bypass Lock Out Key.** Remove to disable Bypass Mode (see page 23).
- C. **Main Power Switch.** Activates power for the saw (but does not spin the blade).
- D. **Lock Out Key.** Remove to disable the saw (see page 22).
- E. **Green Status Light** (see page 16).
- F. **Red Status Light** (see page 16).
- G. **Start/Stop Paddle.** Pull out to turn on the motor and spin the blade. Push in to turn off the motor (see page 22).

## START THE SAW - NORMAL MODE

Start your saw in Normal Mode to cut NON-CONDUCTIVE materials such as:

- Dry wood
- Dry plywood or OSB
- Dry pressure-treated wood
- MDF
- Plastic
- Solid surface
- Laminate
- Cardboard
- Foam

### **WARNING:**

Cutting conductive material in Normal Mode will cause the safety system to activate.

### **WARNING:**

Always wear hearing and eye protection when using saw!

## Procedure

1. Switch power on.



Wait while safety system initializes. Red status light flashes slowly until saw is ready.

2. Ready. Green status light is on solid.  
Red status light is off.
3. Pull paddle out to spin blade.



### **WARNING:**

Never start the saw when the blade is in contact with the workpiece or any other object.

## STOP THE SAW - NORMAL MODE

1. Push paddle in.



Green status light flashes fast while blade spins down.

### **WARNING:**

Do not touch the blade while it is coasting down. Your touch will cause the safety system to activate.

2. After all cuts are completed, switch power off.



## How to Disable Your Saw

Remove lock out key to disable saw.



## START THE SAW - BYPASS MODE

Start your saw in Bypass Mode to cut CONDUCTIVE materials such as:

- Green or very wet wood
- Wet pressure-treated wood
- Very wet plywood or OSB
- Aluminum and other metals
- Carbon-filled materials
- Foil
- Mirrors

### **WARNING:**

There is no protection in Bypass Mode! Use Bypass Mode only to cut conductive materials or to test conductivity (see page 22).

## Procedure

1. Switch power on.



Wait while saw powers up. Red status light flashes slowly until saw is ready.

2. Ready. Green status light is on solid. Red status light is off.
3. Press and hold bypass switch above key. Wait for red light to flash once. DO NOT release switch.



4. While pressing bypass switch, pull paddle out to spin blade. Keep pressing switch until red light flashes once, then release switch.



Green light flashes while saw is running in Bypass Mode.



**NOTE:**

You cannot start in Bypass Mode unless the brake cartridge is installed and all error codes are cleared.

**STOP THE SAW - BYPASS MODE**

Push paddle in to stop blade.



Green status light flashes fast while blade spins down. Saw exits Bypass Mode automatically after blade stops. After all cuts are completed, switch power off.



**WARNING:**

The saw is still in Bypass Mode until the blade comes to a complete stop! The saw returns to Normal Mode automatically after the blade stops.

**MORE ABOUT BYPASS MODE**

**How to Test Material Conductivity**

Use Bypass Mode to see if material is conductive and would cause the brake to activate. Start the saw in Bypass Mode (see page 22), and then carefully make several cuts on a scrap piece of the material.

When testing conductive material, the following status light pattern indicates that the material is conductive and must be cut in Bypass mode to prevent the safety system from activating.

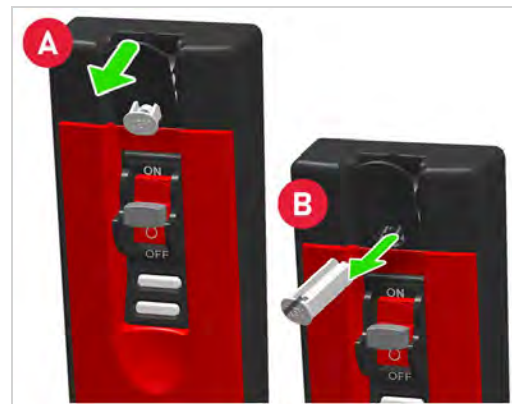
**Green:** Slow blink

**Red:** Fast blink

If this status code is not displayed after several trial runs, then it is likely the material is not conductive and you can make future cuts in Normal Mode.

**How Disable Bypass Mode**

Pull bypass switch out (A) then remove the Bypass Key (B) to disable bypass. Insert Bypass Key to re-enable.



# CARE FOR AND ADJUST YOUR SAW

## MAINTENANCE

### User-Replaceable Parts And Accessories

The following is a list of typical user-replaceable parts, and where to find replacement instructions:

PART	Part #	PAGE
Cartridge	TSBC-10R3	31
Table Insert	TSI-SJB-I	10
Riving Knife	10" / 254mm: JSS-442 250mm: JSS-443	12
Blade Guard	JSS-RDC	10
Spreader	JSS-RDC-001	10
Anti-kickback pawls	JSS-RDC-031	12

### How to Order Parts

See the Job Site Saw exploded views and parts lists available for download at [SawStop.eu](http://SawStop.eu) for a complete listing of components and part numbers. For parts and further technical assistance contact SawStop. Visit us at [SawStop.eu/contact](http://SawStop.eu/contact).

### Power Cord

Periodically check the condition of the power cord; if the cord becomes damaged, it must be replaced by a specially prepared supply cord available through SawStop Service. The cord must be replaced by SawStop or an authorized service agent. Contact SawStop service for details ([seeSawStop.eu/contact](http://SawStop.eu/contact)).

### Blade Guard

Keep the blade guard free of accumulated saw dust, wood chips, and other debris. Vacuum out any dust as needed. Check that you have a clear view of the saw blade from all angles; make sure no abrasions or materials on the blade guard obscure your view. Before each use, check that the blade guard pivots up and down freely. It should rest completely on the table when not in use, and the side plate should contact the table when the blade is tilted to 45 degrees.

### Cabinet

The interior of the cabinet should be kept free of accumulated saw dust, wood chips and other debris. Although most of the dust is collected by the dust collection system, it is normal to have some dust collect in the cabinet. Periodically check for dust inside the bottom of the cabinet, trunnion assembly, and dust shroud. Vacuum out the dust as needed to prevent any buildup.

## MAKE ADJUSTMENTS



### WARNING:

Always make sure the motor is off, the power cord is unplugged and the blade is completely stopped before making any adjustments.



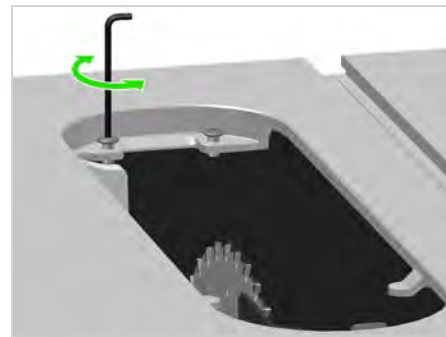
### NOTE:

Your saw is factory-adjusted to meet strict requirements and should generally not need initial adjustments. You will want to become familiar with these procedures for future upkeep of the saw.

### How To Adjust Table Insert

#### Adjust Vertical Movement

Remove insert. To reduce vertical movement, use a 3 mm hex wrench to tighten both screws (clockwise). Reinstall insert. Press down on parts of insert to check that there is no movement.



If insert becomes difficult to install or remove, increase vertical movement by loosening screws (counter-clockwise). Check by reinstalling and removing insert several times.



### Align to the Table Top Surface

Use a 3 mm hex wrench to rotate the 5 screws clockwise to raise insert or counter-clockwise to lower insert. Balance adjustments between all 5 screws.



Feel around edges of insert to ensure it is flush with tabletop. When pressing on insert, it should not rock or click.

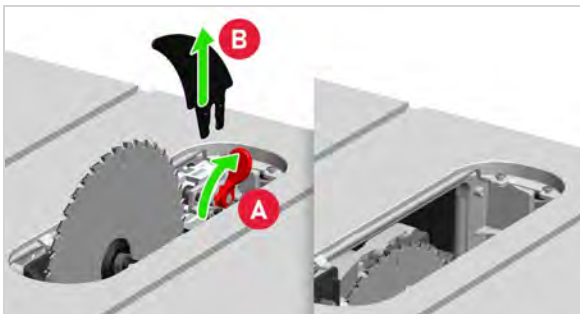
### How to Cut a Slot in a Replacement Insert

The blade slot in the original table insert is pre-cut at factory. However, you must cut a slot in any replacement inserts by using the following instructions.

#### **WARNING:**

You must remove the riving knife before cutting the zero-clearance slot.

1. Rotate the clamp handle (A), and then remove riving knife/blade guard (B). Lower blade fully and adjust tilt angle to zero degrees.



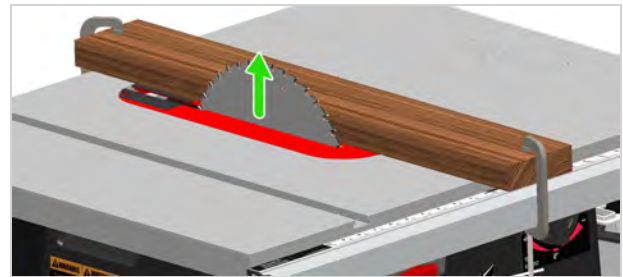
2. Install new table insert. Adjust leveling screws until table insert is level and slightly below table (see page 10).



3. Clamp a thick piece of wood across right side of table insert to securely hold table insert to table.



4. Start motor and slowly raise blade (see page 16) to its highest elevation. This will create the slot for cuts at zero degrees tilt.



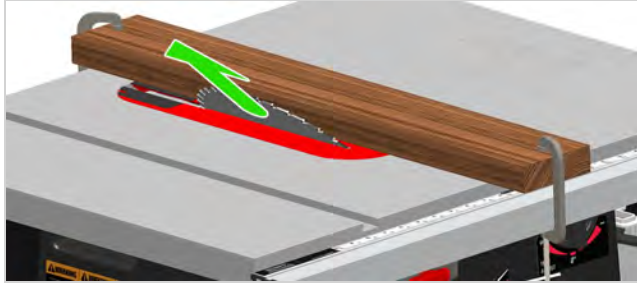
5. Lower blade to lowest elevation and turn off motor.



6. Set blade tilt angle to 45 degrees (see page 16).



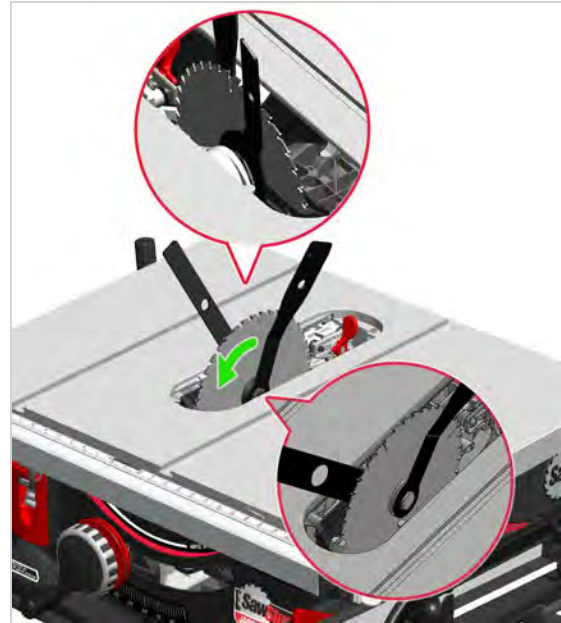
7. Start motor and slowly raise blade to highest elevation. This will widen slot for beveled cuts up to 45 degrees.



8. Stop motor and turn saw off. Remove wood and clamps. Remove table insert and install riving knife or blade guard (see **REMOVE/INSTALL TABLE INSERT** on page 10). Reinstall insert.



2. Loosen blade arbor bolt with wrenches. Remove bolt and washer, change blade, and then reinstall washer and bolt. Tighten bolt with wrenches-do not over-tighten.



Make sure direction of blade rotation matches direction of teeth, as indicated by red arrow. Reinstall table insert and riving knife/blade guard.

## How To Change the Blade

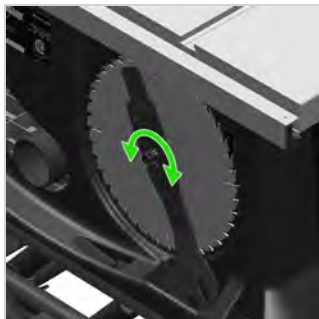


### WARNING:

Wear gloves when handling the blade.

1. Switch power off and unplug power cord. Remove table insert and riving knife/blade guard.

Release wrenches by turning knob 1/2 turn.



### WARNING:

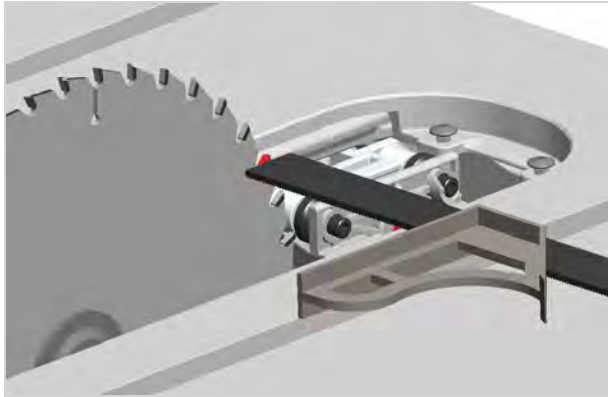
Always turn off and unplug the saw before working on or maintaining the saw.

## How To Align Blade to the Miter Slots

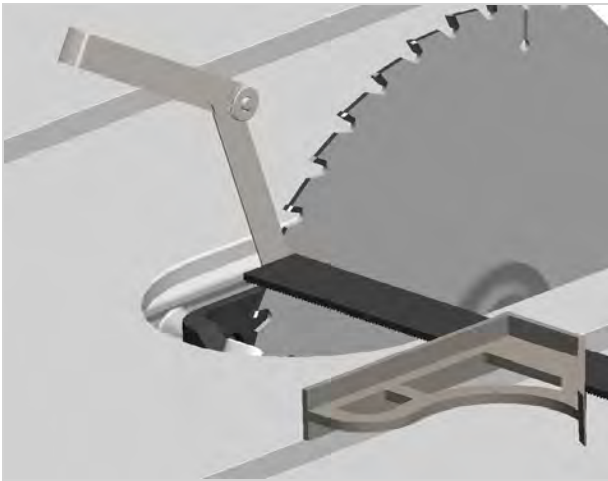
1. Remove table insert and blade guard. Raise blade. Mark one of the teeth. Rotate the blade so the tooth is at the back of the blade.



2. Set combination square parallel with right miter slot. Extend ruler until it lightly touches the side of the marked tooth. Tighten the locking knob on the combination square.

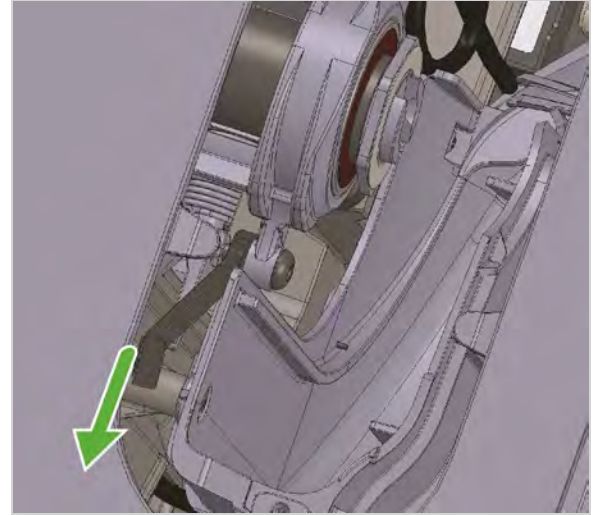


3. Rotate the blade so the marked tooth is at the front of the blade. Move the combination square to align with the tooth. If there is a gap, measure the gap with a feeler gauge. If measurement is within 0.01" (0.25 mm), no adjustment is needed. If not, proceed to next step.

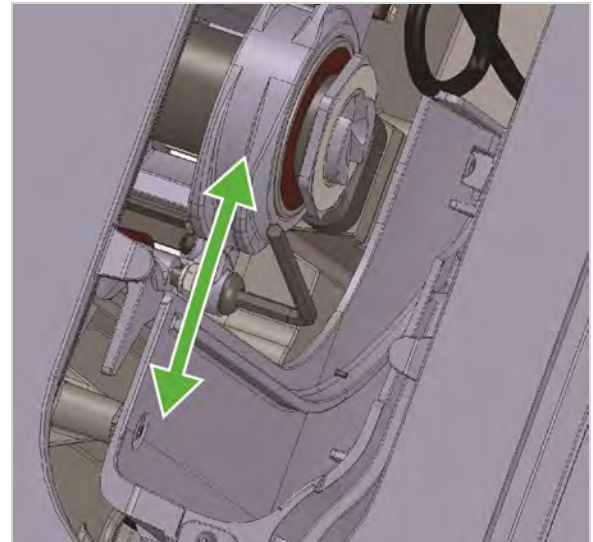


4. Remove the saw blade and set it aside.

Use a 10 mm wrench to break loose the lock nut on the adjustment bolt. Just break loose enough to turn the bolt, do not loosen beyond that point.



5. Use 4 mm hex wrench to rotate bolt: if there was a gap, turn counterclockwise to move blade right until the gap is removed or less than 0.01" (0.25mm) and clockwise to move blade left.

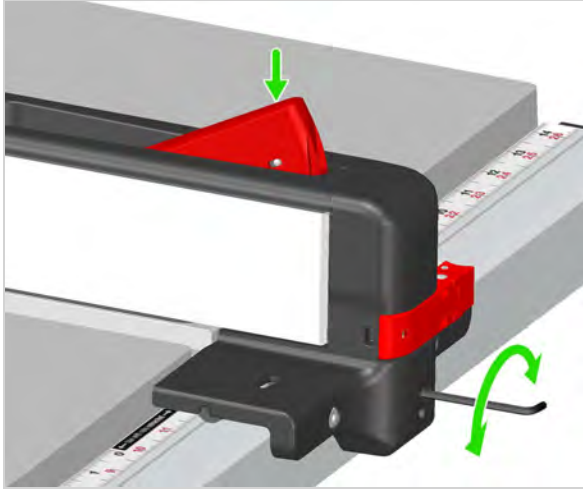


Once adjusted, use the hex wrench to hold the adjusting bolt in-place, then tighten the lock nut. Replace the blade and repeat steps 2-3 to confirm the adjustment is within tolerance.

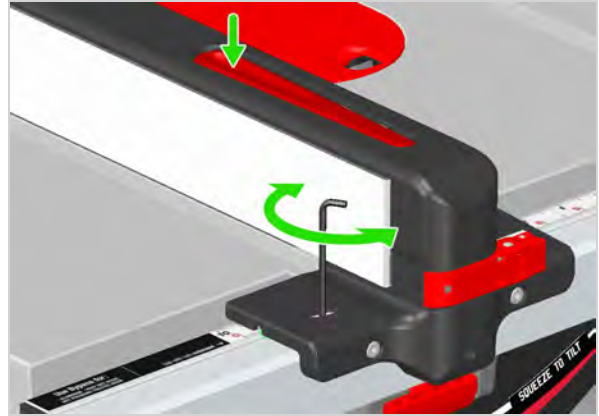
## How To Adjust Fence

### Clamping Force

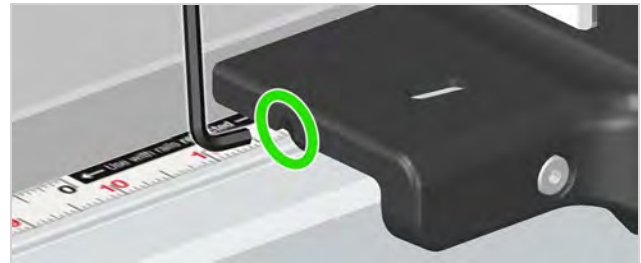
Unlock fence and insert a 3 mm hex wrench into hole in front of fence. Turn clockwise to tighten or counter-clockwise to loosen. Check clamping force by locking and unlocking fence several times. Make further adjustments as necessary.



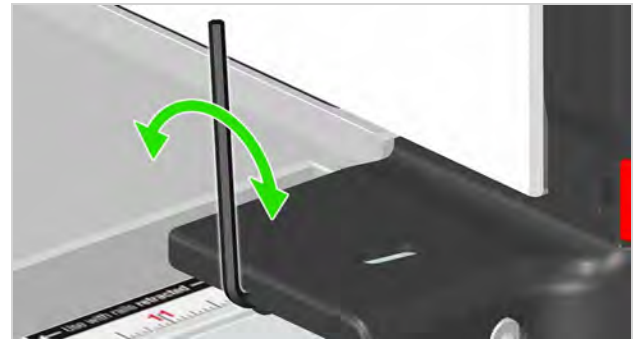
2. Unlock fence. Use a 3 mm hex wrench to slightly loosen screw in top left side of fence head.



3. Insert 3 mm hex wrench at an angle into hole in left side of fence head.



4. Rotate screw clockwise to shift fence left, or counter-clockwise to shift fence right. Lock fence and check alignment.



Make further adjustments as necessary. When fence is parallel to the miter slot, tighten screw in top left side of fence head. (Reverse Step 2)

### Alignment

1. Unlock fence and position with one side flush with a miter gauge slot. Lock fence. Check that face of fence is flush with miter slot edge along whole length. If there is misalignment, continue to next step.



#### NOTE:

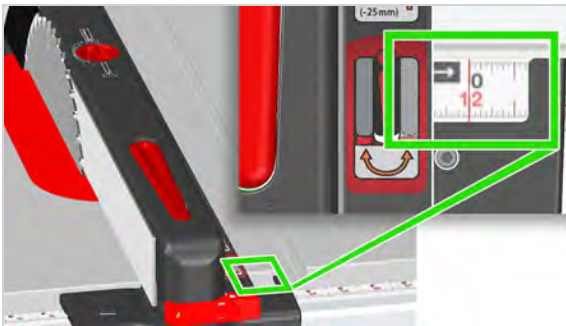
When locking, fence may shift. If this occurs, unlock fence, adjust, and re-lock.

- Once fence alignment is done, lock and unlock fence to make sure it is still tightly secured to rail. If fence slides while locked, or feels loose, use a 3 mm hex wrench to tighten screw on front of fence.

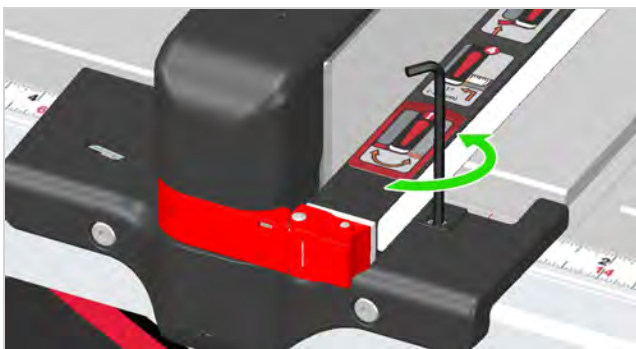


### Adjust Indicator Lens

- Raise blade fully. Make sure the table is fully retracted. Move fence so its left side rests against right side of blade. If indicator lens reads 0" (0 mm) on ruler, no adjustment is needed. If indicator does not read 0" (0 mm) proceed to next step.



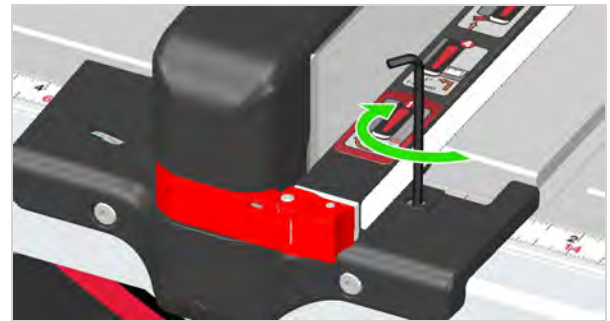
- Use a 3 mm hex wrench to loosen bolt next to indicator lens.



- Slide lens by hand to correct location. If easier, you can also remove the fence and slide the lens from the underside of the fence.

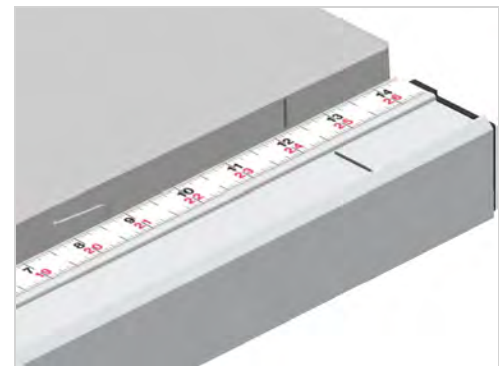


- Tighten bolt. Check position of lens and make further adjustment as necessary.



### **How To Align Extension Table**

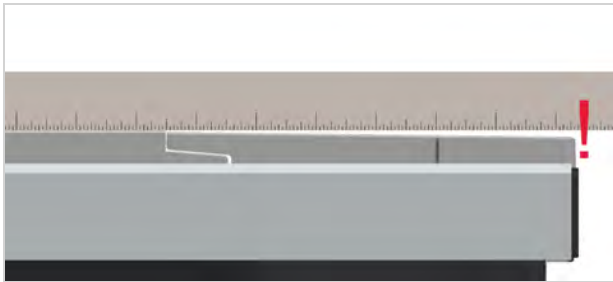
- Use a pencil to mark the extension table and rail in the same location for alignment purposes in later steps, or make note of where end of table meets rail ruler.



- Place a straightedge across table and extension table, parallel to rail.



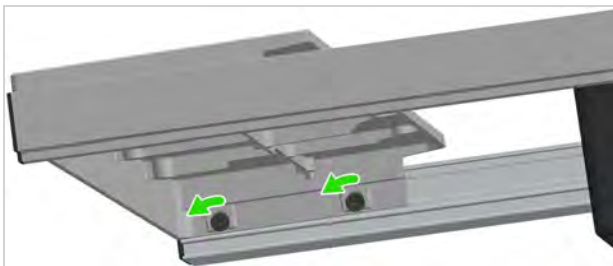
- Check for gap between extension table and straightedge. If there is a gap, use a feeler gauge to determine size. If gap less than 0.05" (1.3 mm), extension table aligned, so no adjustment needed. If gap is larger than 0.05" (1.3 mm), proceed to next step.



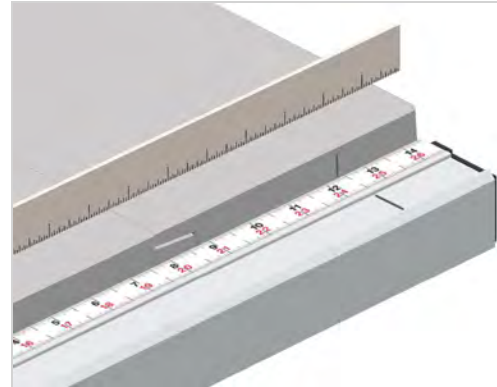
- Extend and lock extension table.



- Use a 4 mm hex wrench to SLIGHTLY loosen the two screws between front rail and extension table. Push down or pull up on extension table as necessary to correct alignment.

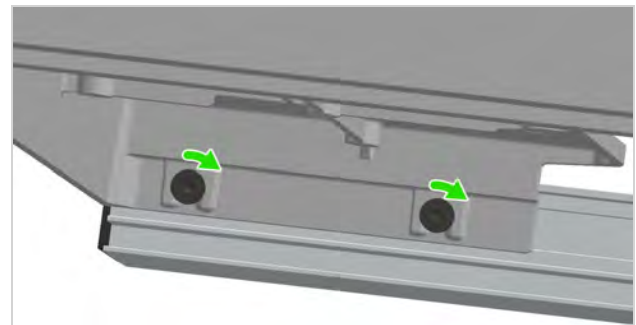


- Unlock, close, and re-lock extension table. Recheck alignment. Make further adjustments if necessary.



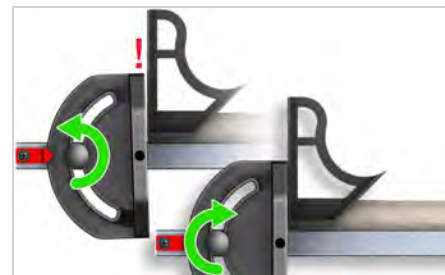
Once alignment is correct, check pencil mark made earlier, or noted ruler measurement, to ensure extension table is still aligned with rail. If marks align, proceed to step 7. If marks do not align, extension table has shifted side-to-side relative to rail. Readjust extension table to align marks. Use straightedge to recheck vertical alignment, then recheck marks.

- Once table top and extension table top are aligned, and the marks are aligned, open extension table and tighten screws.



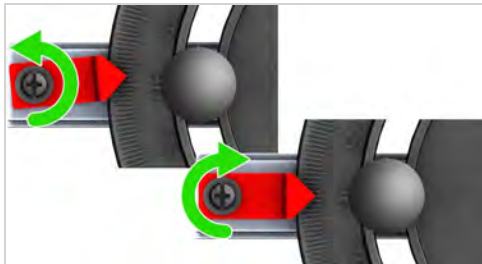
## How to Calibrate the Miter Gauge

- Loosen handle (A). Use a combination square to ensure that bar and gauge are perpendicular. Tighten handle to lock head (B).



Recheck alignment and make further adjustment as necessary.

2. Check that the angle marker is set at 90 degrees. If adjustment is needed, use a Phillips head screwdriver to loosen screw (A), adjust angle marker to 90 degrees (B), and re-tighten screw.



## BRAKE CARTRIDGE

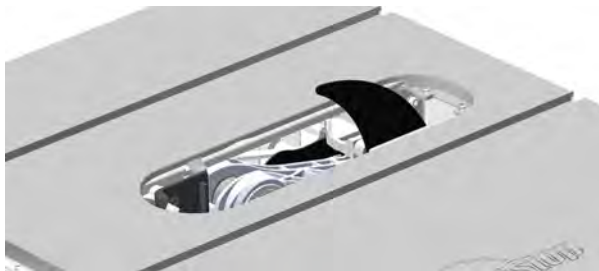
### How to Change Brake Cartridge



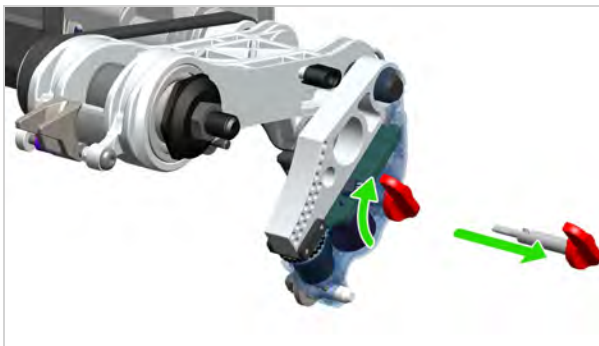
#### WARNING:

Always turn off and unplug the saw before working on or maintaining the saw.

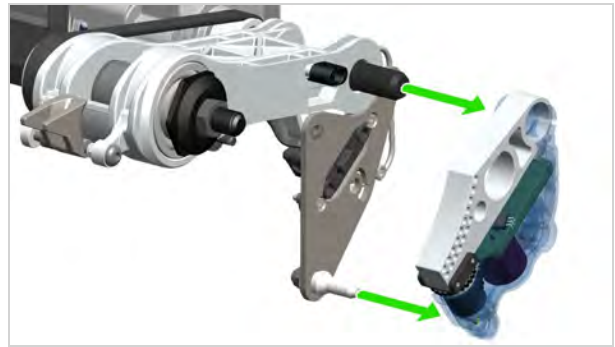
1. Switch power off and unplug the power cord. Raise blade fully and set blade tilt to zero degrees. Remove table insert. Remove the blade.



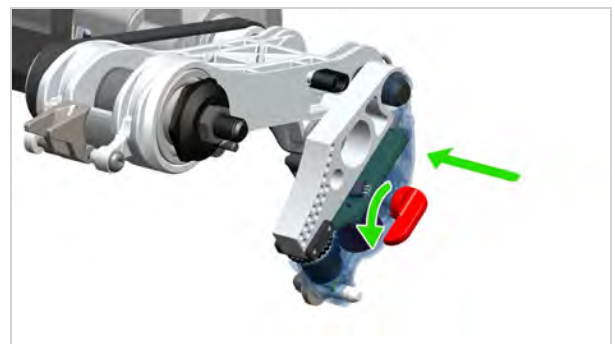
2. Turn brake key 1/4 turn clockwise and pull out.



3. Pull brake off pins.

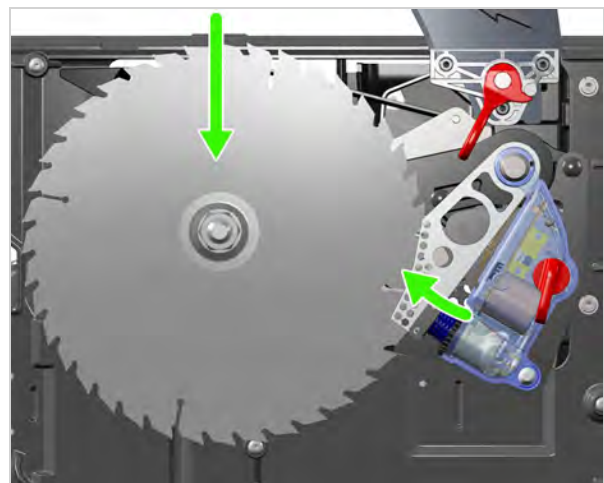


4. Slide new brake onto both pins. Insert key and rotate 1/4 turn counter-clockwise to lock in place. Reinstall riving knife/blade guard and table insert.



### How to Replace Activated Brake Cartridge

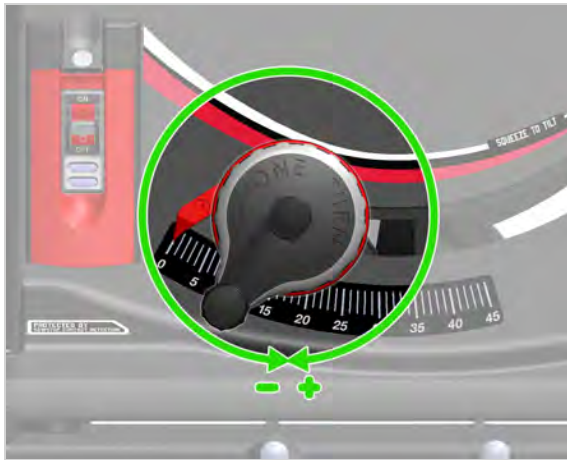
Upon brake activation, blade will stop spinning and may drop below table. You must change brake and blade to reset your saw.



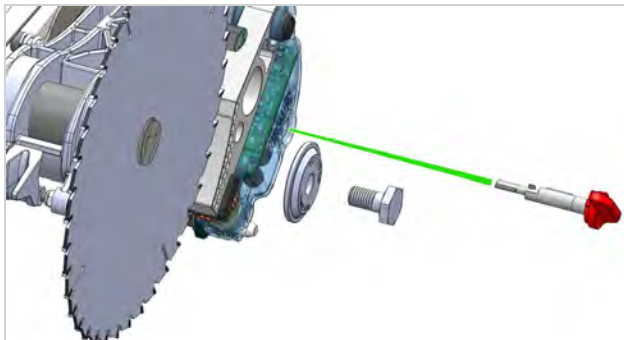
**! WARNING:**

Always turn off and unplug the saw before working on or maintaining the saw.

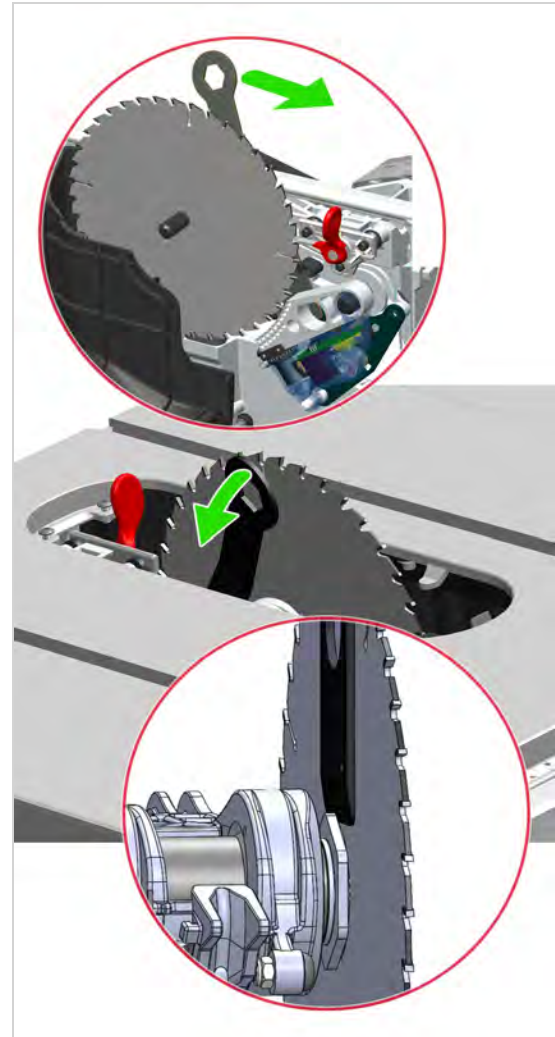
1. Switch power off and unplug the power cord. Rotate elevation handwheel fully counter-clockwise then fully clockwise to reset blade.



2. Remove table insert and riving knife or blade guard. Remove brake key, arbor bolt, and washer.



3. Use blade wrench to push brake slightly toward end of mounting pins.



4. Use blade wrench with beveled end as a lever to push blade slightly toward end of arbor.

Repeat steps 3 and 4 until blade and brake are free. Install a new brake cartridge and blade. Reinstall riving knife/blade guard and table insert.

The forces encountered during activation may have caused your blade to become slightly misaligned. It is recommended to align your blade to the miter slots (see page 26) before using the saw.

Please visit [SawStop.eu/contact](http://SawStop.eu/contact) to provide details of the activation. Your input will be used in our ongoing research and development. You can also send the activated cartridge to SawStop and we will read the data stored in the cartridge. If the data indicate that the activation was caused by skin contact then we will send you a free replacement cartridge.

# TROUBLESHOOTING

PROBLEM	POSSIBLE CAUSE(S)	SOLUTION
The motor will not start and both status lights on the switch box are off.	There is no power to the saw.	Make sure the electrical supply to the saw is on and that the correct voltage is being supplied.
	There is no brake cartridge installed in the saw.	Install the brake cartridge (see page 31).
	The brake cartridge is defective.	Replace the brake cartridge with a new cartridge (see page 31).
The motor will not start: the power switch is on, the red status light on solid, the green status light is off (see page 21).	The brake cartridge is defective.	Replace the brake cartridge with a new cartridge (see page 31)..
The motor starts slowly and/or fails to reach full operating speed.	The electrical supply voltage is too low.	Make sure the correct voltage is being supplied to the saw.
	The belt is worn or slipping.	Replace the belt.
The motor stopped unexpectedly during use but the brake did not activate.	The Start/Stop paddle was bumped.	Ensure the Start/Stop paddle is in the OFF position, and then restart the saw.
	The material being cut is overloading the safety detection system (e.g., green or wet wood).	Use a different wood or cut in Bypass Mode (see page 22).
	Electrical power to the system was lost, at least temporarily.	Ensure that the electrical supply to the saw is on and you are using the correct voltage.
	The brake cartridge is defective.	Replace the brake cartridge with a new cartridge (see page 31).
Cannot turn the saw on in Bypass Mode.	The sequence for starting the saw in Bypass Mode was not completed.	Follow the steps for starting the saw in Bypass Mode (see page 22).
	The Bypass Lockout Key is not fully seated.	Insert the Bypass key fully.

<b>PROBLEM</b>	<b>POSSIBLE CAUSE(S)</b>	<b>SOLUTION</b>
The brake activated, even though there was no accidental contact.	An electrically conductive material contacted the blade, arbor or arbor pulley.	Make sure no metal or other conductive material is touching the blade, arbor or pulley. Use Bypass Mode to cut conductive materials (see page 22).
	The spreader or riving knife came into contact with the blade.	Ensure that the spreader or riving knife is aligned and securely clamped in place. There should be a gap of 4-8 mm between the blade and the spreader or riving knife (see page 4).
	The blade made contact with the brake pawl.	Make sure there is a gap of 1.5 mm to 3 mm between the teeth of the blade and closest point on the brake cartridge. Use only a 10" blade with a standard brake cartridge.
The blade hits the brake pawl during installation.	The blade is the wrong size.	Use only a 10" blade with a standard brake cartridge.
Cannot install the cartridge key.	The key is not rotated properly to align with the keyhole in the cartridge.	Rotate the key so that the handle is pointing directly toward the brake pawl.
	The shaft of the cartridge key is binding in the cartridge or on the cartridge bracket.	Try installing the key while pressing upward or downward on the key or cartridge.
Raising or lowering the blade feels or sounds rough.	The alignment block is worn, damaged or needs lubrication. The elevation rail is dirty and needs lubrication.	Clean components and re-grease.
	The backdrive prevention assembly is worn.	Contact SawStop Service.
The saw does not make accurate bevel cuts.	The tilt limit stops are not adjusted properly.	Adjust the tilt limit stops.
	The tilt angle indicator is not adjusted properly.	Adjust the tilt angle indicator.
Cannot remove the brake cartridge.	The cartridge key is still installed.	Remove the cartridge key.
	The cartridge is bound up on the pivot pin and the positioning pin.	Pry the cartridge off the pins with a blade wrench (see page 31).



<b>PROBLEM</b>	<b>POSSIBLE CAUSE(S)</b>	<b>SOLUTION</b>
Cannot install the brake cartridge.	The holes in the brake cartridge shell are not aligned with the pivot pin and positioning pin.	Make sure the mounting holes in the brake cartridge are aligned with the pivot and positioning pins.
	There is debris on the pivot or positioning pins, or in the cartridge mounting holes.	Make sure the pins and mounting holes are clean and free of obstructions.
	The blade is interfering with the brake pawl.	Use only a 10" blade with a standard brake cartridge.
Cannot remove the cartridge key.	The cartridge key is not turned to the UNLOCKED position.	Turn the key clockwise until it stops.
	The shaft of the cartridge key is binding in the cartridge or on the cartridge mounting bracket.	Try turning and removing the key while pressing upward or downward on the key or cartridge.

If you have further questions and need more information, contact SawStop Service (see [SawStop.eu/contact](http://SawStop.eu/contact)).