

The FG Wilson weatherproof sound attenuated enclosures are a result of continuing research and development by our specialist acoustic engineers. **These enclosures reduce sound levels to comply with the stage 2 levels of the European Community Directive 2000/14/EC which became effective 3 January 2006.**

The enclosures incorporate internally mounted exhaust silencers and are of extremely rugged construction in order to withstand the rough handling common on many construction sites. They are designed on modular principles with many interchangeable components permitting on-site repair.

#### Robust/Highly Corrosion Resistant Construction

- ▶ Stainless steel locks and hinges
- ▶ Zinc plated or stainless steel fasteners
- ▶ Body made from steel components treated with polyester powder coating

#### Excellent Access for Maintenance

- ▶ Full length extra wide doors on each side
- ▶ Doors top hung and supported by gas struts
- ▶ Radiator fill access plate
- ▶ Lube oil and cooling water drains piped to exterior of the enclosure

#### Security and Safety

- ▶ Control panel viewing window in a lockable access door
- ▶ Emergency stop push button (red) mounted on enclosure exterior
- ▶ Cooling fan and battery charging alternator fully guarded
- ▶ Fuel fill and battery can only be reached via lockable access doors
- ▶ Exhaust silencing system totally enclosed for operator safety

#### Transportability

- ▶ Tested and certified single point lifting facility
- ▶ Lifting points on baseframe

#### Optional Features

- ▶ Oil field type skid with dragging points and fork lift truck pockets



27 - 165  
kVA Range



Modular  
Acoustic Enclosure



**Sound Attenuated (SA) Sound Pressure Levels (dBA)**

		50 Hz						60 Hz					
Generating Set Model	LWA	15m (50ft)		7m (23ft)		1m (3ft)		15m (50ft)		7m (23ft)		1m (3ft)	
		75% Load	100% Load	75% Load	100% Load	75% Load	100% Load	75% Load	100% Load	75% Load	100% Load	75% Load	100% Load
<b>3 Phase Models</b>													
P27P1	95	61.4	62.2	67.4	68.2	78.7	79.6	63.1	63.9	69.1	69.9	80.3	81.3
P27P2	95	60.8	63.1	66.8	69.1	77.9	80.6	-	-	-	-	-	-
P30E1	95	61.7	62.7	67.7	68.7	79.0	80.0	63.4	64.4	69.4	70.4	80.7	81.9
P30E2	95	61.5	64.3	67.5	70.3	78.7	82.1	-	-	-	-	-	-
P30P1	95	61.7	62.7	67.7	68.7	79.0	80.0	63.4	64.3	69.4	70.3	80.6	81.9
P30P2	95	61.5	64.3	67.5	70.3	78.7	82.1	-	-	-	-	-	-
P33E1	95	61.9	63.1	67.9	69.1	79.3	80.5	63.7	64.8	69.7	70.8	81.0	82.5
P33E2	95	62.2	65.7	68.2	71.7	79.6	83.7	-	-	-	-	-	-
P40P2	96	60.1	60.8	66.1	66.8	77.0	77.5	-	-	-	-	-	-
P40P3	96	63.7	63.6	69.7	69.6	79.8	79.7	66.1	66.3	72.1	72.3	81.9	82.1
P44E2	96	60.3	61.2	66.3	67.2	77.2	77.7	-	-	-	-	-	-
P44E3	96	63.7	63.4	69.7	69.4	79.8	79.6	66.2	66.4	72.2	72.4	82.0	82.1
P45P2	96	60.3	61.4	66.3	67.4	77.2	77.7	-	-	-	-	-	-
P45P3	96	63.7	63.4	69.7	69.4	79.8	79.6	66.2	66.4	72.2	72.4	82.0	82.1
P40P5	97	61.6	62.4	67.6	68.4	78.2	79.0	65.2	66.5	71.2	72.5	81.2	82.3
P44E5	97	61.9	62.8	67.9	68.8	78.4	79.4	65.6	67.2	71.6	73.2	81.5	82.9
P50E2	96	60.6	62.0	66.6	68.0	77.4	78.0	-	-	-	-	-	-
P50E3	96	63.6	63.2	69.6	69.2	79.7	79.4	66.3	66.5	72.3	72.5	82.0	82.2
P50P1	96	63.9	64.6	69.9	70.6	80.9	81.5	66.9	67.3	72.9	73.3	83.5	83.9
P50P2	96	60.5	60.6	66.5	66.6	77.5	77.6	-	-	-	-	-	-
P55E1	96	64.1	64.9	70.1	70.9	81.0	81.8	67.0	67.4	73.0	73.4	83.6	84.1
P55E2	96	60.5	60.8	66.5	66.8	77.5	77.7	-	-	-	-	-	-
P60P2	96	60.5	60.9	66.5	66.9	77.5	77.7	-	-	-	-	-	-
P60P3	96	64.3	65.2	70.3	71.2	81.2	82.1	67.1	67.6	73.1	73.6	83.8	84.3
P65E2	96	60.6	61.1	66.6	67.1	77.6	77.8	-	-	-	-	-	-
P65E3	96	64.5	65.6	70.5	71.6	81.4	82.4	67.2	67.8	73.2	73.8	83.9	84.5
P60P5	96	63.0	63.4	69.0	69.4	79.4	80.0	66.0	66.8	72.0	72.8	82.1	83.1
P65E5	96	63.1	63.6	69.1	69.6	79.5	80.3	66.2	67.1	72.2	73.1	82.3	83.5
P80P1	96	63.4	64.5	69.4	70.5	80.0	81.4	66.7	68.2	72.7	74.2	83.0	84.8
P80P2	96	62.6	63.1	68.6	69.1	79.8	80.1	-	-	-	-	-	-
P88E1	96	63.6	65.1	69.6	71.1	80.4	82.1	67.1	69.0	73.1	75.0	83.5	85.8
P88E2	96	62.7	63.3	68.7	69.3	79.9	80.3	-	-	-	-	-	-
P90	97	62.6	63.2	68.6	69.2	80.3	80.9	65.5	67.0	72.0	73.0	82.0	84.0
P100E	97	62.8	63.5	68.8	69.5	80.5	81.1	65.5	67.0	72.0	73.0	82.0	84.0
P100	97	62.8	63.5	68.8	69.5	80.5	81.1	65.5	67.0	72.0	73.0	82.0	84.0
P110E	97	63.0	63.8	69.0	69.8	80.7	81.3	65.5	67.0	72.0	73.0	82.0	84.0

Levels in accordance with European Noise Directive (2000/14/EC)

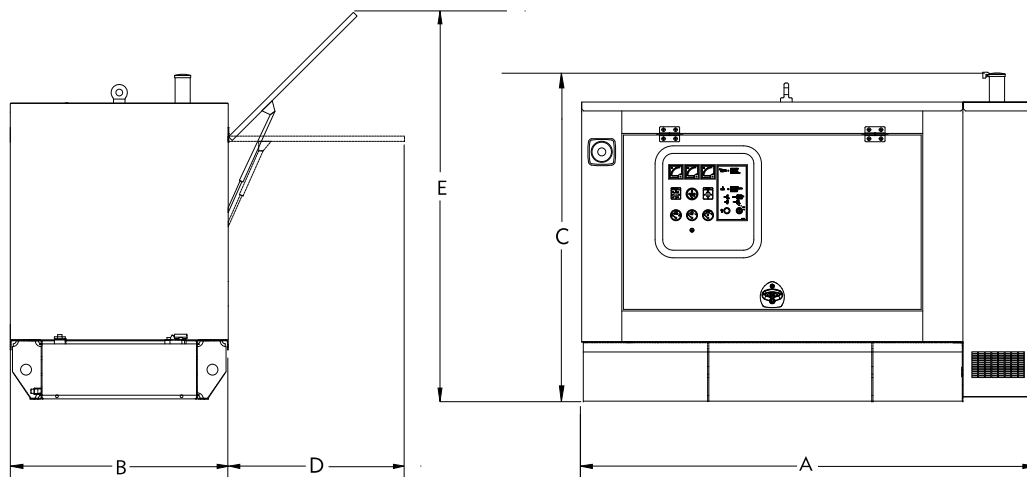
Sound Attenuated (SA) Sound Pressure Levels (dBA)													
		50 Hz						60 Hz					
		15m (50ft)		7m (23ft)		1m (3ft)		15m (50ft)		7m (23ft)		1m (3ft)	
Generating Set Model	LWA	75% Load	100% Load	75% Load	100% Load	75% Load	100% Load	75% Load	100% Load	75% Load	100% Load	75% Load	100% Load
<b>3 Phase Models</b>													
P100P1	97	63.1	64.6	69.1	70.6	80.6	81.8	64.8	66.8	70.8	72.8	81.9	83.9
P100P2	97	63.0	63.7	69.0	69.7	80.0	80.7	-	-	-	-	-	-
P110E1	97	63.5	65.3	69.5	71.3	80.9	82.4	65.3	68.1	71.3	74.1	82.4	85.0
P110E2	97	63.2	64.1	69.2	70.1	80.2	81.0	-	-	-	-	-	-
P135	96	62.6	63.1	68.6	69.1	80.0	80.1	66.6	67.1	72.6	73.1	84.2	84.7
P135P2	97	62.8	63.0	68.8	69.0	79.5	80.0	65.0	66.1	71.0	72.1	82.8	83.5
P150E	96	62.8	63.3	68.8	69.3	80.1	80.0	66.7	67.2	72.7	73.2	84.3	84.9
P150E2	97	62.9	63.1	68.9	69.1	79.7	80.3	65.3	66.8	71.3	72.8	83.0	83.8
P150P1	96	62.8	63.5	68.8	69.5	79.8	80.6	-	-	-	-	-	-
P150P2	97	62.9	63.1	68.9	69.1	79.7	80.3	65.3	66.8	71.3	72.8	83.0	83.8
P165E1	96	63.1	63.8	69.1	69.8	80.0	80.9	-	-	-	-	-	-
P165E2	97	62.9	63.2	68.9	69.2	79.8	80.6	65.7	67.5	71.7	73.5	83.2	84.2

Levels in accordance with European Noise Directive (2000/14/EC)

Sound Attenuated (SA) Sound Pressure Levels (dBA)													
		50 Hz						60 Hz					
		15m (50ft)		7m (23ft)		1m (3ft)		15m (50ft)		7m (23ft)		1m (3ft)	
Generating Set Model	LWA	75% Load	100% Load	75% Load	100% Load	75% Load	100% Load	75% Load	100% Load	75% Load	100% Load	75% Load	100% Load
Single Phase Models													
P24P1S	95	61.7	62.7	67.7	68.7	79.0	80.0	63.4	64.3	69.4	70.3	80.6	81.9
P24P2S	95	61.5	64.3	67.5	70.3	78.7	82.1	-	-	-	-	-	-
P26E1S	95	61.9	63.1	67.9	69.1	79.3	80.4	63.7	64.8	69.7	70.8	81.0	82.5
P26E2S	95	62.1	65.5	68.1	71.5	79.5	83.4	-	-	-	-	-	-
P32P2S	96	60.1	60.8	66.1	66.8	77.0	77.5	-	-	-	-	-	-
P32P3S	96	63.7	63.6	69.7	69.6	79.8	79.7	66.1	66.3	72.1	72.3	81.9	82.1
P35E2S	96	60.3	61.2	66.3	67.2	77.2	77.7	-	-	-	-	-	-
P35E3S	96	63.7	63.4	69.7	69.4	79.8	79.6	66.2	66.4	72.2	72.4	82.0	82.1
P32P5S	97	61.6	62.4	67.6	68.4	78.2	79.0	65.2	66.5	71.2	72.5	81.2	82.3
P35E5S	97	61.8	62.7	67.8	68.7	78.4	79.4	65.6	67.2	71.6	73.2	81.5	82.9
P40P1S	96	63.9	64.6	69.9	70.6	80.9	81.5	66.9	67.3	72.9	73.3	83.5	83.9
P40P2S	96	60.5	60.6	66.5	66.6	77.5	77.6	-	-	-	-	-	-
P44E1S	96	64.1	64.9	70.1	70.9	81.0	81.8	67.0	67.4	73.0	73.4	83.6	84.1
P44E2S	96	60.5	60.8	66.5	66.8	77.5	77.7	-	-	-	-	-	-
P45P3S	96	63.9	64.6	69.9	70.6	80.9	81.5	66.9	67.3	72.9	73.3	83.5	83.9
P45P2S	96	60.5	60.8	66.5	66.8	77.5	77.7	-	-	-	-	-	-
P50E2S	96	60.6	61.0	66.6	67.0	77.6	77.8	-	-	-	-	-	-
P50E3S	96	64.4	65.4	70.4	71.4	81.3	82.2	67.2	67.7	73.2	73.7	83.8	84.4
P45P5S	96	63.0	63.3	69.0	69.3	79.3	79.8	65.8	66.4	71.8	72.4	81.9	82.7
P50E5S	96	63.0	63.5	69.0	69.5	79.5	80.1	66.0	66.8	72.0	72.8	82.2	83.2
P58P1S	96	63.2	64.0	69.2	70.0	79.7	80.8	66.4	67.5	72.4	73.5	82.6	84.0
P58P2S	96	62.5	62.9	68.5	68.9	79.7	80.0	-	-	-	-	-	-
P64E1S	96	63.4	64.5	69.4	70.5	80.0	81.4	66.7	68.2	72.7	74.2	83.0	84.8
P64E2S	96	62.6	63.1	68.6	69.1	79.8	80.1						
P72SP1	97	62.6	63.2	68.6	69.2	80.3	80.9	65.5	67.0	72.0	73.0	82.0	84.0
P72P2S	97	62.8	63.4	68.8	69.4	79.9	80.4	-	-	-	-	-	-
P80E2S	97	63.0	63.7	69.0	69.7	80.0	80.7	-	-	-	-	-	-
P80ESP1	97	62.8	63.5	68.8	69.5	80.5	81.1	65.5	67.0	72.0	73.0	82.0	84.0
P80SP1	97	NA	64.9	65.6	70.9	71.6	82.2	82.9	67.0	72.0	73.0	82.0	84.0
P88ESP1	97	NA	64.9	65.6	70.9	71.6	82.2	82.9	67.0	72.0	73.0	82.0	84.0
P96SP1	96	62.4	62.9	68.4	68.9	80.0	80.1	66.2	66.7	72.2	72.7	83.9	84.3
P105ESP1	96	62.6	63.1	68.6	69.1	80.0	80.1	66.4	66.8	72.4	72.8	84.0	84.4

Levels in accordance with European Noise Directive (2000/14/EC)

## Dimensions, Weights and Fuel Capacities

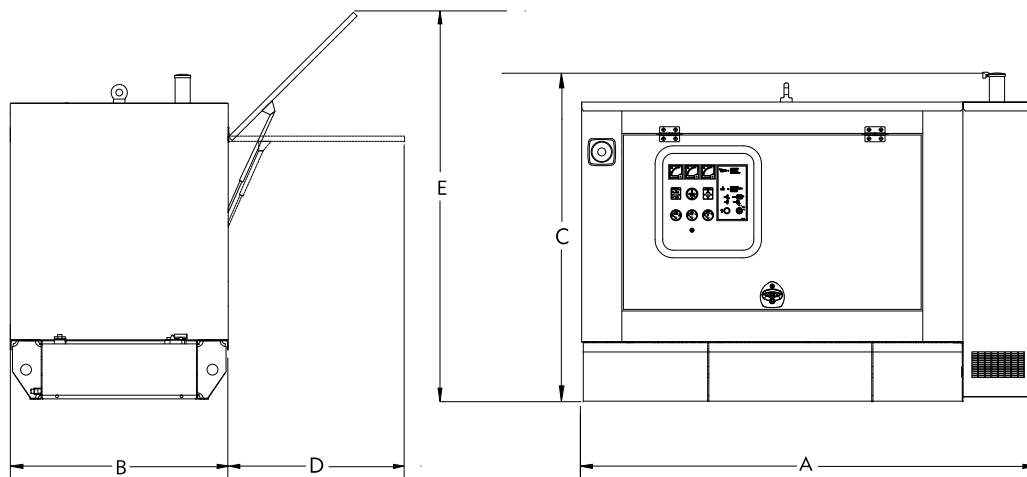


Generating Set Model	A: mm (in)	B: mm (in)	C: mm (in)	*D: mm (in)	E: mm (in)	Weight: kg (lb)	Fuel Capacity l (US gal)
<b>3 Phase Models</b>							
P27P1/P30E1	2097 (82.6)	950 (37.4)	1565 (61.6)	885 (34.8)	2010 (79.1)	1104 (2434)	230 (61.0)
P27P2/P30E2	2097 (82.6)	950 (37.4)	1565 (61.6)	885 (34.8)	2010 (79.1)	1104 (2434)	230 (61.0)
P30P1/P33E1	2097 (82.6)	950 (37.4)	1565 (61.6)	885 (34.8)	2010 (79.1)	1114 (2456)	230 (61.0)
P30P2/P33E2	2097 (82.6)	950 (37.4)	1565 (61.6)	885 (34.8)	2010 (79.1)	1114 (2456)	230 (61.0)
P40P2/P44E2	2275 (89.6)	1100 (43.3)	1614 (63.5)	885 (34.8)	2080 (81.9)	1245 (2745)	245 (65.0)
P40P3/P44E3	2275 (89.6)	1100 (43.3)	1614 (63.5)	885 (34.8)	2080 (81.9)	1245 (2745)	245 (65.0)
P40P5/P44E5	2275 (89.6)	1100 (43.3)	1614 (63.5)	885 (34.8)	2080 (81.9)	1303 (2873)	245 (65.0)
P45P2/P50E2	2275 (89.6)	1100 (43.3)	1614 (63.5)	885 (34.8)	2080 (81.9)	1245 (2745)	245 (65.0)
P45P3/P50E3	2275 (89.6)	1100 (43.3)	1614 (63.5)	885 (34.8)	2080 (81.9)	1245 (2745)	245 (65.0)
P50P1/P55E1	2275 (89.6)	1100 (43.3)	1614 (63.5)	885 (34.8)	2080 (81.9)	1265 (2789)	245 (65.0)
P50P2/P55E2	2275 (89.6)	1100 (43.3)	1614 (63.5)	885 (34.8)	2080 (81.9)	1323 (2917)	245 (65.0)
P60P2/P65E2	2275 (89.6)	1100 (43.3)	1614 (63.5)	885 (34.8)	2080 (81.9)	1373 (3027)	245 (65.0)
P60P3/P65E3	2275 (89.6)	1100 (43.3)	1614 (63.5)	885 (34.8)	2080 (81.9)	1315 (2899)	245 (65.0)
P60P5/P65E5	2275 (89.6)	1100 (43.3)	1614 (63.5)	885 (34.8)	2080 (81.9)	1373 (3027)	245 (65.0)
P80P1/P88E1	2275 (89.6)	1100 (43.3)	1614 (63.5)	885 (34.8)	2080 (81.9)	1373 (3027)	245 (65.0)
P80P2/P88E2	2805 (110.4)	1100 (43.3)	1635 (64.4)	885 (34.8)	2030 (79.9)	1532 (3377)	300 (79.0)
P90/P100E	2805 (110.4)	1100 (43.3)	1615 (63.6)	885 (34.8)	2030 (79.9)	1694 (3735)	300 (79.0)
P100/P110E	2805 (110.4)	1100 (43.3)	1615 (63.6)	885 (34.8)	2030 (79.9)	1714 (3779)	300 (79.0)
P100P1/P110E1	2805 (110.4)	1100 (43.3)	1635 (64.4)	885 (34.8)	2030 (79.9)	1560 (3439)	300 (79.0)
P100P2/P110E2	2805 (110.4)	1100 (43.3)	1635 (64.4)	885 (34.8)	2030 (79.9)	1560 (3439)	300 (79.0)
P135/P150E	3525 (138.8)	1100 (43.3)	1636 (64.4)	885 (34.8)	2058 (81.0)	1970 (4343)	375 (99.0)
P135P2/P150E2	3525 (138.8)	1100 (43.3)	1828 (72.0)	857 (33.7)	N/A	2218 (4890)	332 (88.0)
P150P1/P165E1	3532 (139.1)	1100 (43.3)	1828 (72.0)	885 (34.8)	2100 (82.7)	1975 (4354)	375 (99.0)
P150P2/P165E2	3525 (138.8)	1100 (43.3)	1828 (72.0)	857 (33.7)	N/A	2273 (5011)	332 (88.0)

\* Clearance required on both sides of set; Weight with lube oil, no fuel.

‡ Side opening doors.

## Dimensions, Weights and Fuel Capacities



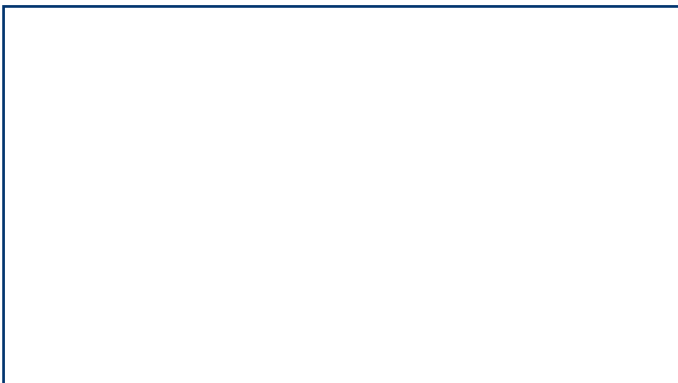
Generating Set Model	A: mm (in)	B: mm (in)	C: mm (in)	*D: mm (in)	E: mm (in)	Weight: kg (lb)	Fuel Capacity l (US gal)
<b>Single Phase Models</b>							
P24P1S/P26E1S	2097 (82.6)	950 (37.4)	1565 (61.6)	885 (34.8)	2010 (79.1)	1114 (2456)	230 (61.0)
P24P2S/P26E2S	2097 (82.6)	950 (37.4)	1565 (61.6)	885 (34.8)	2010 (79.1)	1114 (2456)	230 (61.0)
P32P2S/P35E2S	2275 (89.6)	1100 (43.3)	1614 (63.5)	885 (34.8)	2080 (81.9)	1245 (2745)	245 (65.0)
P32P3S/P35E3S	2275 (89.6)	1100 (43.3)	1614 (63.5)	885 (34.8)	2080 (81.9)	1315 (2899)	245 (65.0)
P32P5S/P35E5S	2275 (89.6)	1100 (43.3)	1614 (63.5)	885 (34.8)	2080 (81.9)	1373 (3027)	245 (65.0)
P40P1S/P44E1S	2275 (89.6)	1100 (43.3)	1614 (63.5)	885 (34.8)	2080 (81.9)	1315 (2899)	245 (65.0)
P40P2S/P44E2S	2275 (89.6)	1100 (43.3)	1614 (63.5)	885 (34.8)	2080 (81.9)	1373 (3027)	245 (65.0)
P45P2S/P50E2S	2275 (89.6)	1100 (43.3)	1614 (63.5)	885 (34.8)	2080 (81.9)	1413 (3115)	245 (65.0)
P45P3S/P50E3S	2275 (89.6)	1100 (43.3)	1614 (63.5)	885 (34.8)	2080 (81.9)	1355 (2987)	245 (65.0)
P45P5S/P50E5S	2275 (89.6)	1100 (43.3)	1614 (63.5)	885 (34.8)	2080 (81.9)	1413 (3115)	245 (65.0)
P58P1S/P64E1S	2275 (89.6)	1100 (43.3)	1614 (63.5)	885 (34.8)	2080 (81.9)	1478 (3258)	245 (65.0)
P58P2S/P64E2S	2805 (110.4)	1100 (43.3)	1635 (63.4)	885 (34.8)	2030 (79.9)	1560 (3439)	300 (79.0)
P72SP1/P80ESP1	2805 (110.4)	1100 (43.3)	1615 (63.6)	885 (34.8)	2030 (79.9)	1839 (4054)	300 (79.0)
P72P2S/P80E2S	2805 (110.4)	1100 (43.3)	1635 (64.4)	885 (34.6)	2030 (79.9)	1685 (3715)	300 (79.0)
P80SP1/P88ESP1	3900 (153.5)	1300 (51.2)	1971 (77.6)	1050 (41.3)	N/A <sup>‡</sup>	2451 (5404)	550 (145.0)
P96SP1/P105ESP1	3900 (153.5)	1300 (51.2)	1996 (78.6)	1050 (31.3)	N/A <sup>‡</sup>	2411 (5315)	550 (145.0)

\* Clearance required on both sides of set; Weight with lube oil, no fuel.

<sup>‡</sup> Side opening doors.



From your local dealer



**FG Wilson has manufacturing facilities in the following locations:**

**Northern Ireland • Brazil • China • India • USA**

With headquarters in Northern Ireland, FG Wilson operates through a Global Dealer Network. To contact your local Sales Office please visit the FG Wilson website at [www.FGWilson.com](http://www.FGWilson.com)

